

D-SUB connector set - VS-25-SET-STD - 1652198

Please be informed that the data shown in this PDF Document is generated from our Online Catalog. Please find the complete data in the user's documentation. Our General Terms of Use for Downloads are valid (<http://phoenixcontact.com/download>)




D-SUB connector set, shell size 3, unshielded

The figure shows the product version VS-09-SET-STD



Key Commercial Data

Packing unit	1 pc
GTIN	 4 017918 917135
GTIN	4017918917135
Weight per Piece (excluding packing)	69.200 g
Custom tariff number	85366990
Country of origin	Germany
Note	Made to Order (non-returnable)

Technical data

Mechanical characteristics

Number of positions	25
Shielded	no
External cable diameter	3 mm ... 9 mm
Cable outlet	Angled
Type of cable	Round cable
Color	gray
Degree of protection	IP67
Type	D-SUB 25
Size of housing	3
No. of cable outlets	2

Ambient conditions

Ambient temperature (operation)	-40 °C ... 80 °C
---------------------------------	------------------

D-SUB connector set - VS-25-SET-STD - 1652198

Technical data

Material data

Flammability rating according to UL 94	V0
Housing material	PA
Sealing material	Flat gasket: NBR; profile gasket: EPDM
Seal material	Flat gasket: NBR; profile gasket: EPDM
Cable seal material	CR/NBR

Electrical characteristics

Number of positions	25
Degree of pollution	2

Standards and Regulations

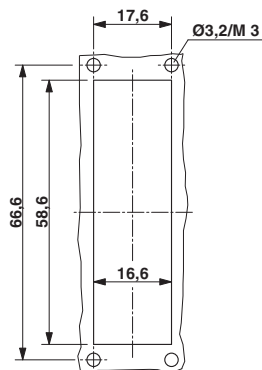
Flammability rating according to UL 94	V0
--	----

Environmental Product Compliance

China RoHS	Environmentally friendly use period: unlimited = EFUP-e
	No hazardous substances above threshold values

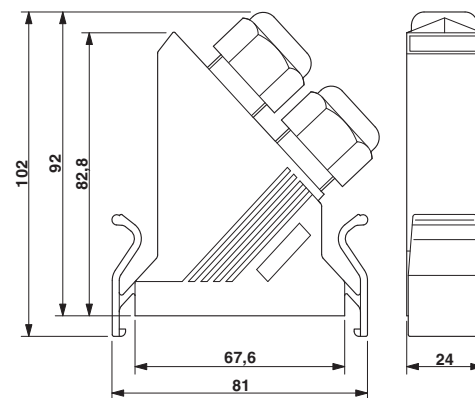
Drawings

Dimensional drawing



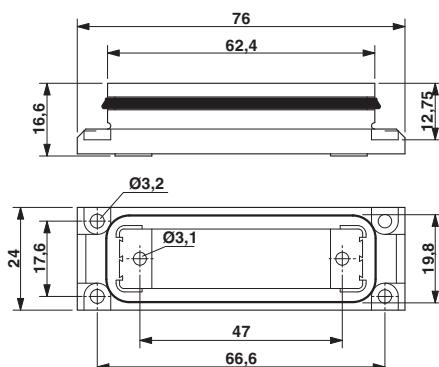
Mounting cutout

Dimensional drawing



D-SUB connector set - VS-25-SET-STD - 1652198

Dimensional drawing



D-SUB panel mounting frame

Classifications

eCl@ss

eCl@ss 4.0	27140816
eCl@ss 4.1	27260701
eCl@ss 5.0	27260701
eCl@ss 5.1	27260700
eCl@ss 6.0	27260700
eCl@ss 7.0	27440302
eCl@ss 8.0	27440302
eCl@ss 9.0	27440302

ETIM

ETIM 2.0	EC001121
ETIM 3.0	EC001132
ETIM 4.0	EC001132
ETIM 5.0	EC001132
ETIM 6.0	EC001132

UNSPSC

UNSPSC 6.01	31261501
UNSPSC 7.0901	31261501
UNSPSC 11	31261501
UNSPSC 12.01	31261501
UNSPSC 13.2	39121522

Approvals

Approvals

D-SUB connector set - VS-25-SET-STD - 1652198

Approvals

Approvals

EAC

Ex Approvals

Approval details

EAC		B.01742
-----	---	---------
