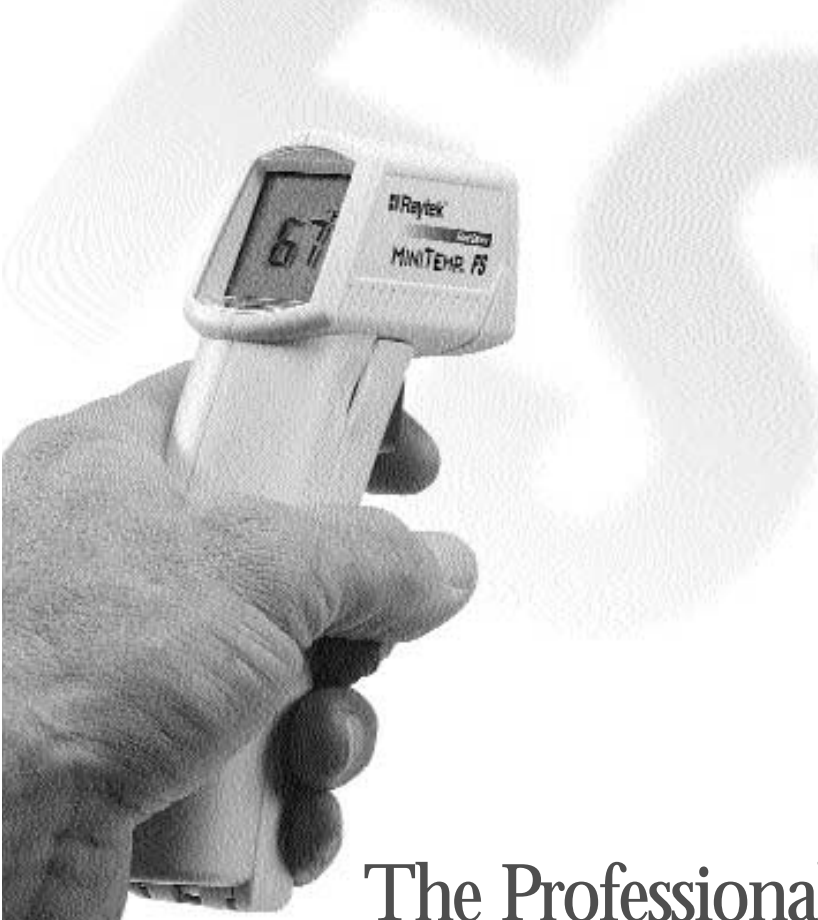


MINITEMP[®] FS[™]

Food Safety IR Thermometer



MiniTempFS infrared thermometer is the ideal choice for your daily HACCP routine. Use it to assure safe food temperatures:

- At the receiving dock
- For cold storage
- In the kitchen
- In hot and cold holding and serving areas
- During cooling and reheating

Also use the MiniTemp[™] FS to monitor temperatures of food service equipment, such as the refrigerator, oven, rotisserie, fryer, and the dishwasher.

The Professional's New Food Safety Companion

Designed specifically for the Food Service Professional, the Raytek[®] MiniTemp[®]FS noncontact thermometer is fast, accurate and reads food surface temperatures without contact. That means no cross-contamination or damage to food products.

With its precise calibration, the MiniTemp[®]FS accurately measures food surfaces in the 0 to 65° C (32 to 150° F) critical temperature zone, where harmful bacteria grows most rapidly. In addition, the MiniTemp[®]FS is unaffected by steam and hot holding requirements.

When used in conjunction with a conventional probe thermometer, the MiniTemp[®]FS helps general food safety system surveillance by allowing the user to scan numerous food temperatures quickly and more often, according to the 1999 Federal Food Code. There is no faster way to monitor food temperatures in your daily HACCP routine, from the receiving dock to the dinner table.

Choose the infrared noncontact thermometer that has been engineered for use in food safety applications. Discover the Raytek advantage—fast, easy, and safe temperature measurement backed by over 35 years of experience and top-quality customer service.

 Raytek[®]

Specifications and Features

MTFS

Specifications

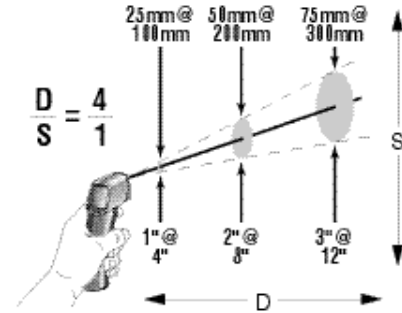
Temperature Range	-30 to 200°C (-25 to 400°F)
Accuracy (assumes ambient operating temperature of 23°C [73°F])	for targets: between 0 and 65°C (32 to 150°F): ±1°C (±2°F) below 0°C (32°F): ±1°C (±2°F) + 0.1 degree/degree above 65°C (150°F): 1.5% of reading
Repeatability	within accuracy specifications of the unit
Spectral Range	8 to 14 µm
Response Time	≤ 500mSec, 95% of reading
Ambient Operating Range	0 to 50°C (32 to 120°F)
Power	9V Alkaline or NiCad Battery
Weight	0.34 kg (11oz)

Features

Distance to Spot (D:S)	4:1 95% energy
Emissivity	pre-set at 0.97
Laser Sighting	single point
Display Hold (7 seconds)	✓
LCD Backlight	✓
Display Resolution	0.5°C (1°F)

Options/Accessories

- Nylon Holster



MTFS Target Spot Sizes
D:S = 4:1 at Focus Point



Worldwide Headquarters

Raytek Corporation
Santa Cruz, CA USA
Tel: 1 800 866 5478
831 458 1110
Fax: 1 831 425 4561
www.raytek.com

South American Headquarters

Raytek do Brasil
Sorocaba, Brazil
Tel: 55 15 233 6338
Fax: 55 15 233 6826

Raytek de Mexico SA de C.V.

Puebla, Mexico
Tel: 52 22 30 4380
Fax: 52 22 30 4438

European Headquarters

Raytek GmbH
Berlin, Germany
Tel: 49 30 4 78 00 80
Fax: 49 30 4 71 02 51

Raytek France

Palaiseau, France
Tel: 33 1 64 53 1540
Fax: 33 1 64 53 1544

Raytek United Kingdom

Milton Keynes, UK
Tel: 44 1908 630800
Fax: 44 1908 630900

Raytek Japan, Inc.

Tokyo, Japan
Tel: 81 3 3822 5715
Fax: 81 3 3822 5712

Raytek China Company

Beijing, China
Tel: 86 10 6437 0284
Fax: 86 10 6437 0285

© 2000 Raytek Corporation, Printed in the USA. (1-0901 Rev. A) 8/2000
Raytek®, the Raytek logo, MT®, MiniTemp® are registered trademarks of
Raytek Corporation.

Distributed by: