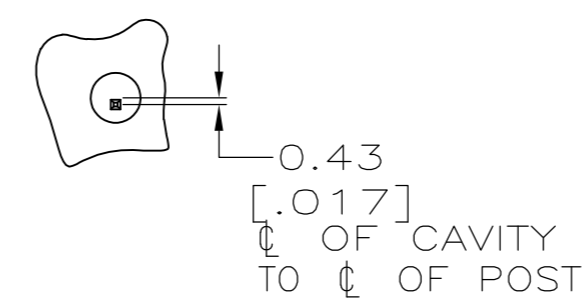
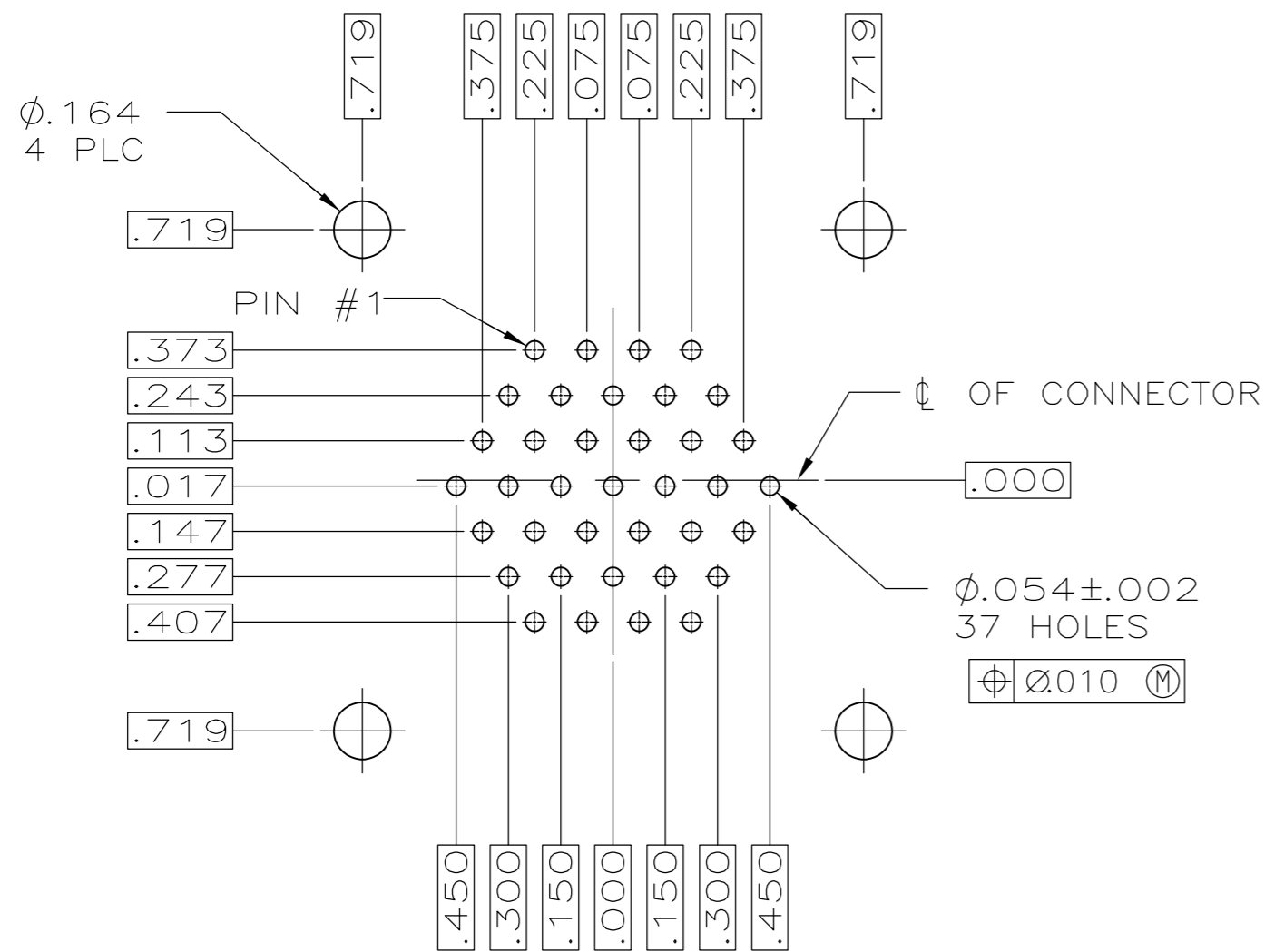
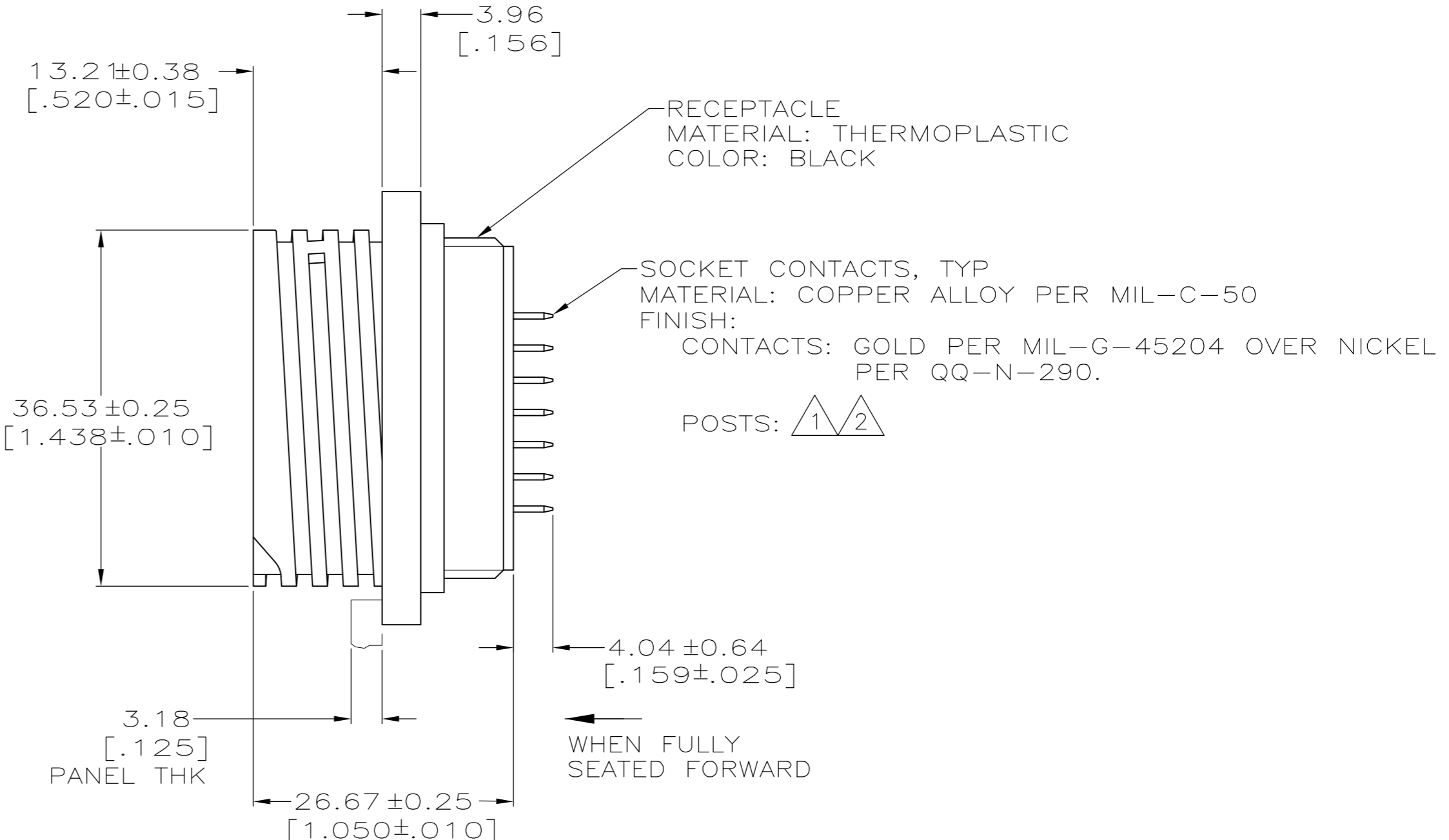
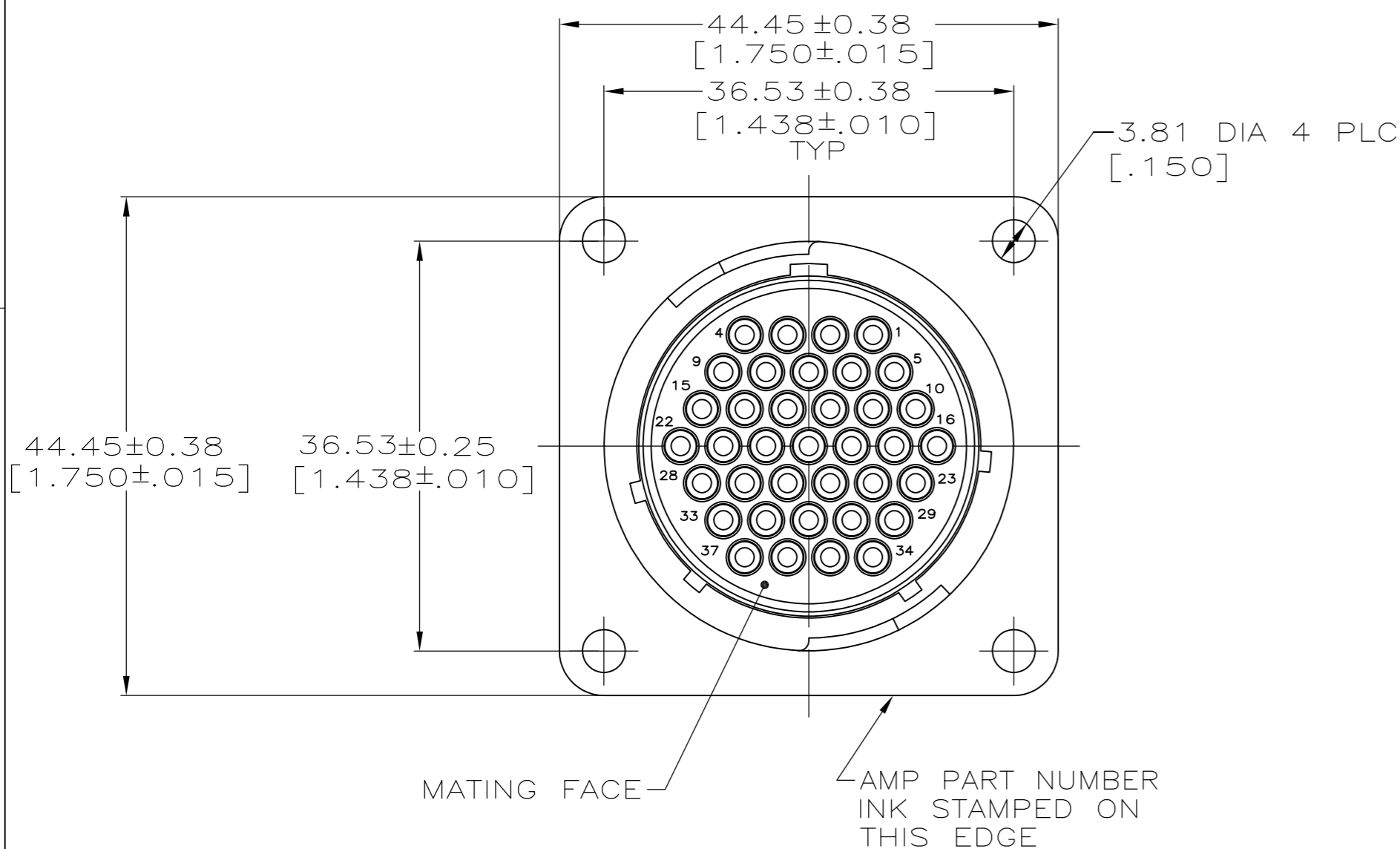


THIS DRAWING IS UNPUBLISHED. RELEASED FOR PUBLICATION  
 © COPYRIGHT BY TYCO ELECTRONICS CORPORATION. ALL RIGHTS RESERVED.

LOC		DIST		REVISIONS			
P	LTR	DESCRIPTION		DATE	DWN	APVD	
FT	0	E	REVISED PER ECO-08-009331	16APR08	HMR	SH	



POST ARRANGEMENT ON REAR FACE

- $\triangle 1$  .000100 MIN. MATTE TIN-LEAD OVER .000050 MIN NICKEL.
- $\triangle 2$  .000100 MIN. MATTE TIN OVER .000050 MIN NICKEL.

YES	$\triangle 2$	207890-3
NO	$\triangle 2$	207890-2
NO	$\triangle 1$	207890-1
PERIPHERAL SEAL	FINISH	PART NUMBER

RECOMMENDED P.C. BOARD LAYOUT

THIS DRAWING IS A CONTROLLED DOCUMENT.		DWN 05/15/95 C.J. REIFSNYDER	Tyco Electronics Corporation Harrisburg, PA 17105-3608	
DIMENSIONS: mm		CHK 05/24/95 R. STONE	NAME	
TOLERANCES UNLESS OTHERWISE SPECIFIED:		APVD 05/25/95 AL FRANTUM	PRODUCT SPEC	
0 PLC ± -		APPLICATION SPEC		
1 PLC ± -		WEIGHT -		
2 PLC ± 0.13[.005]		SCALE 2:1		
3 PLC ± -		SHEET 1 OF 1		
4 PLC ± -		REV E		
ANGLES ± -		CUSTOMER DRAWING		
FINISH SEE CALLOUT		SIZE A2 CAGE CODE 00779 C=207890		
MATERIAL SEE CALLOUT		RESTRICTED TO -		