


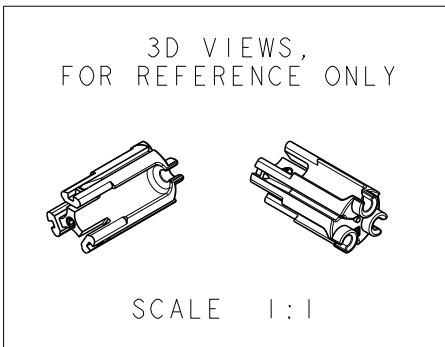
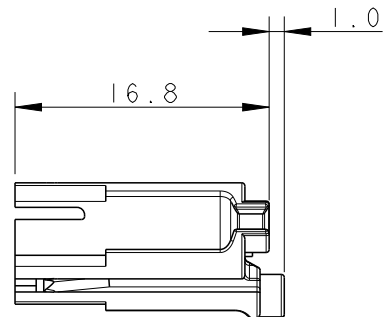
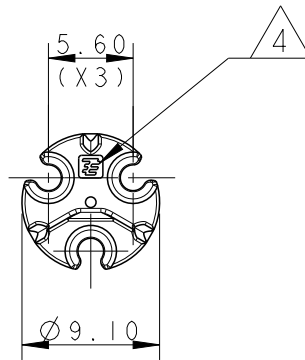
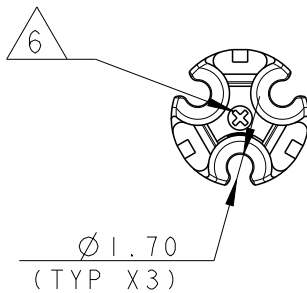
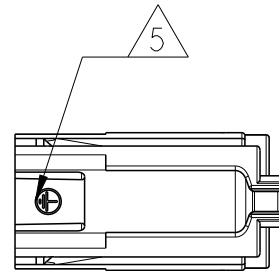


LOC	DIST	REVISIONS			
P	LTR	DESCRIPTION	DATE	DWN	APVD
	E	UPDATED	13DEC2010	MZ	GT
	F	RELEASED FOR PRODUCTION	12SEP2011	MZ	GT
	FI	REVISED	07NOV2012	MZ	JC
	G	REVISED AS PER ECR-15-009980	07JUL2015	RS	JL

NOTES:

- 1) MATERIAL: POLYAMIDE GLASS FILLED  
COLOUR: NATURAL
- 2) PACKAGING: SEE TE PACKAGING SPECIFICATION 107-20294

-  CAVITY MOULD ID
-  TE LOGO
-  PE SYMBOL FOR CAVITY IDENTIFICATION



NATURAL	LOCKING FOR CONTACTS NECTOR* M-LINE	G	293470-1
COLOUR	DESCRIPTION	REV.	PART NUMBER

2010  
RELEASED FOR PUBLICATION  
THIS DRAWING IS UNPUBLISHED.  
COPYRIGHT 2010

Tyco Electronics AMP GmbH  
ALL RIGHTS RESERVED.


DIMENSIONS:

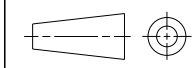
mm

TOLERANCES UNLESS OTHERWISE SPECIFIED:

0 PLC	±-
1 PLC	±0.3
2 PLC	±0.20
3 PLC	±-
4 PLC	±-
ANGLES	±3°

DWN M. ZUCCA	16OCT2009
CHK M. ZUCCA	16OCT2009
APVD G. TURCO	16OCT2009
PRODUCT SPEC	108-20304
APPLICATION SPEC	114-20152
WEIGHT	-

MATERIAL	NOTE 1	FINISH	-
 TE Connectivity			
NAME LOCKING FOR CONTACTS NECTOR* M-LINE			
SIZE	CAGE CODE	DRAWING NO	RESTRICTED TO
A 4	00779	C-293470	-



Customer Drawing	SCALE 2:1	SHEET 1 OF 1	REV G
------------------	-----------	--------------	-------