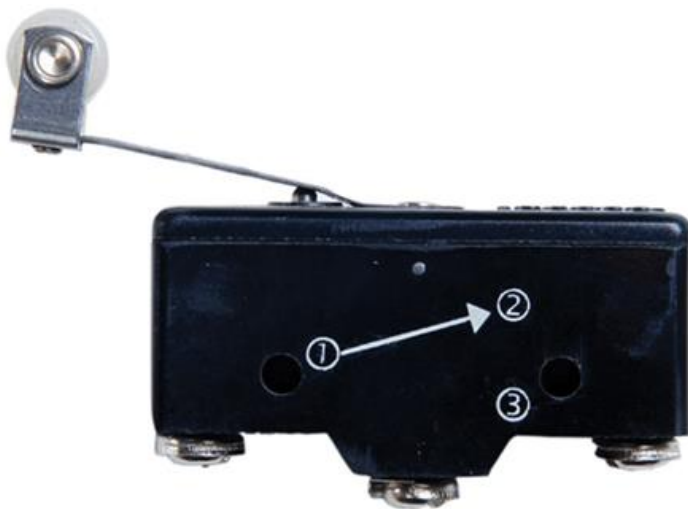


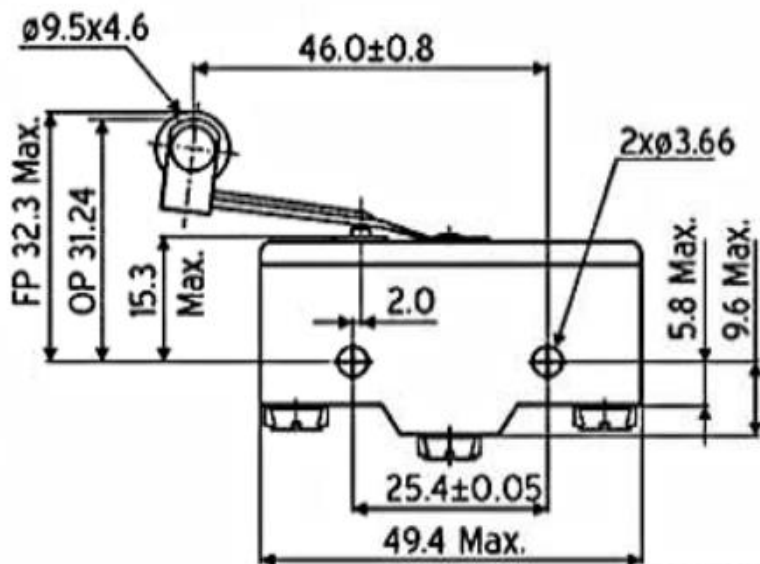
## Datasheet

### SP Spring Lever Microswitch, 0.03 A@ 125 V dc, 0.5 A@ 125 V dc, 15 A@ 250 V ac, 15 A@ 440 V ac

RS Stock 804-6199



Dimensions: (mm)





## Specifications

Characteristics	
Actuating force	170gms (max)
Release force	21gms (min)
Pre – travel	3.0 mm (max)
Over – travel	2.4 mm
Movement differential	1.52 mm (max)
Salient Features	Spring roller lever actuator having self lubricating nylon roller

Technical Data	
Contact resistance	10 milliohms (max)
Insulation resistance	1000 megaohms (min)
Voltage proof	1 KV AC for one minute
Electrical life	50,000 operations
Mechanical life	1 million operations
Terminals	M 3.5 Screw with cup washer

Electrical Rating	
Load	Rating
AC	15Amp at 125V 15Amp at 250V 15Amp at 440V
AC	15Amp at 125V 15Amp at 250V 4 Amp at 440V
DC	0.5Amp at 125V 0.03 A at 250V