

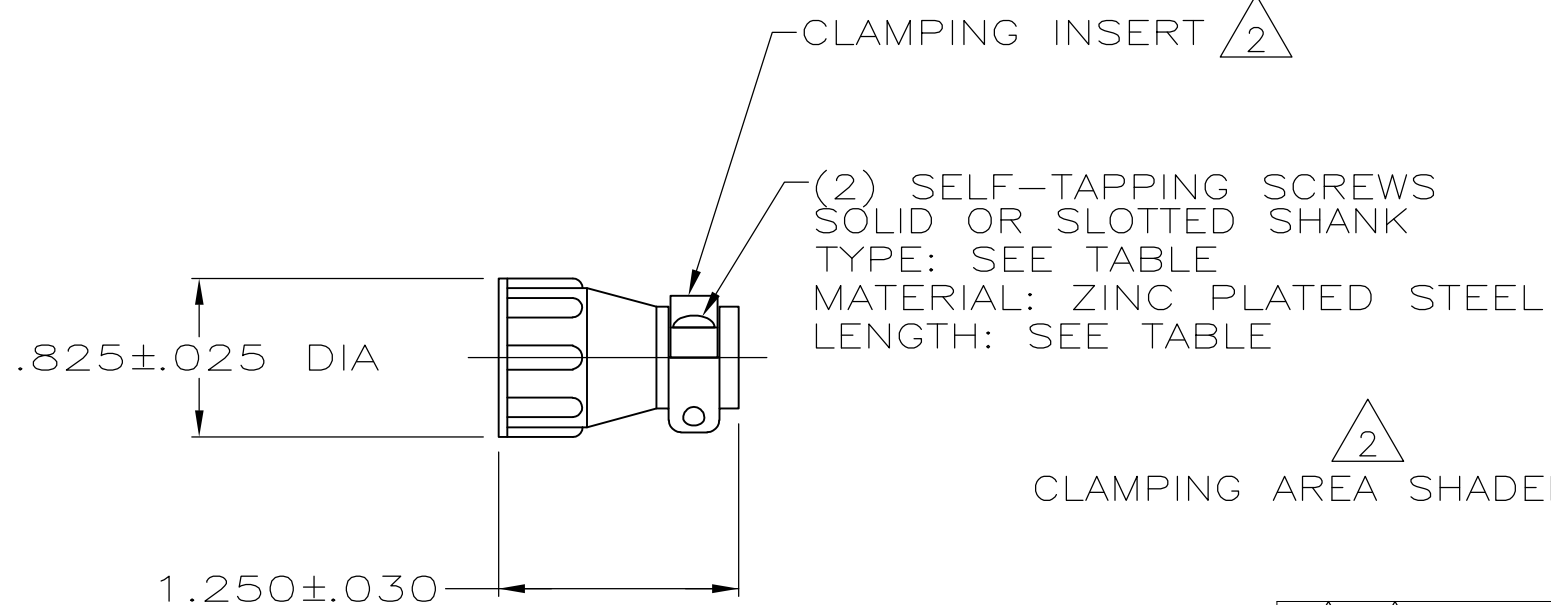
THIS DRAWING IS UNPUBLISHED.

RELEASED FOR PUBLICATION

ALL RIGHTS RESERVED.

© COPYRIGHT - By -

LOC	DIST	REVISIONS					
		P	LTR	DESCRIPTION	DATE	DWN	APVD
-	-		V	REVISED PER ECO-13-000071	03JAN12	KH	MZ



- 1 PARTS PACKAGED UNASSEMBLED.
- 2 CABLE CLAMPING AREA ADJUSTABLE FROM .004 TO .055 SQ IN BY REVERSING CLAMPING INSERTS.
- 3 .329 MAXIMUM CABLE OUTSIDE DIAMETER.
- 4 BULK PACKAGED KITS TO BE ORDERED IN MULTIPLES OF 800 ONLY.
- 5 OBSOLETE PART NUMBER.
- 6 STAINLESS STEEL (NON MAGNATIC).
- 7 CABLE CLAMP WITH NON-MAGNETIC STAINLESS STEEL SCREWS.
- 8 ZINC PLATED STEEL, NON-HEXAVALENT CHROMATE.
- 9 OBSOLETE PARTS: OBSOLETE CIS STREAMLINING PER D.RENAUD/D.SINISI

PACKAGING	SCREW FINISH	SCREW LENGTH	SCREW TYPE	PART NUMBER
7 4 BULK	6	.50 ^{±.00} _{-.05}	#5-20	1-206062-9
4 BULK	8	.50 ^{±.00} _{-.05}	#5-20	1-206062-7
INDIVIDUAL	8	.38 ^{±.00} _{-.05}	#5-20	1-206062-6
4 BULK	8	.38 ^{±.00} _{-.05}	#5-20	1-206062-5
INDIVIDUAL	8	.50 ^{±.00} _{-.05}	#5-20	1-206062-4
INDIVIDUAL	8	.62 ^{±.00} _{-.05}	#5-20	1-206062-3
7 INDIVIDUAL	6	.50 ^{±.00} _{-.05}	#5-20	1-206062-2
7 SUPERSEDED BY 1-206062-3	8	.62 ^{±.00} _{-.05}	#5-20	1-206062-1
9 OBSOLETE - SMALL PACK	8	.38 ^{±.00} _{-.05}	#5-20	1-206062-0
AMP BRAZIL USE ONLY - INDIVIDUAL		12mm ^{+.0} _{-.8}	3mm-20	5 206062-9
AMP BRAZIL USE ONLY - INDIVIDUAL		10mm ^{+.0} _{-.8}	3mm-20	5 206062-8
7 SUPERSEDED BY 1-206062-7	4 BULK	.50 ^{±.00} _{-.05}	#5-20	206062-4
SUPERSEDED BY 1-206062-4	INDIVIDUAL	.50 ^{±.00} _{-.05}	#5-20	206062-3
SUPERSEDED BY 1-206062-5	4 BULK	.38 ^{±.00} _{-.05}	#5-20	206062-2
SUPERSEDED BY 1-206062-6	INDIVIDUAL	.38 ^{±.00} _{-.05}	#5-20	206062-1

THIS DRAWING IS A CONTROLLED DOCUMENT.		DWN A GRAFF 4/29/91	TE Connectivity		
		CHK W.G.LENKER 7-22-92			
DIMENSIONS: INCHES 		TOLERANCES UNLESS OTHERWISE SPECIFIED: 0 PLC ± - 1 PLC ± - 2 PLC ± - 3 PLC ± - 4 PLC ± - ANGLES ± -		NAME CABLE CLAMP KIT, STANDARD, SHELL SIZE 11, CPC	
MATERIAL THERMOPLASTIC		FINISH -		PRODUCT SPEC APPLICATION SPEC WEIGHT -	
CUSTOMER DRAWING			SIZE A3	CAGE CODE 00779	DRAWING NO C-206062
			SCALE NTS	SHEET 1 OF 1	REV V