

THIS DRAWING IS UNPUBLISHED.

RELEASED FOR PUBLICATION

, 19

© COPYRIGHT 19

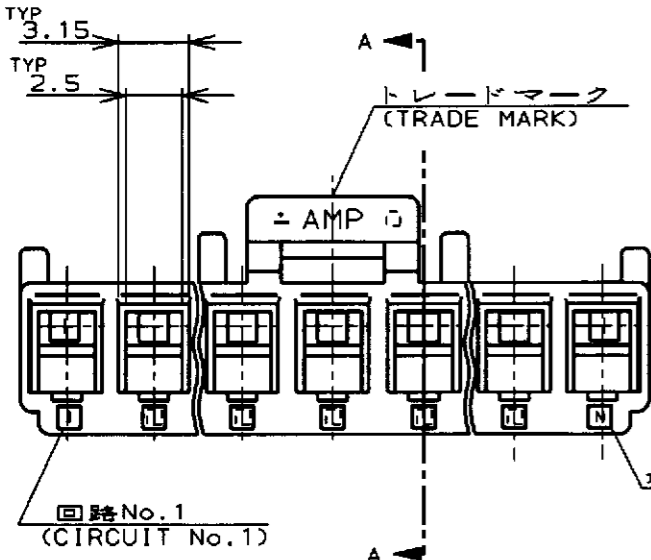
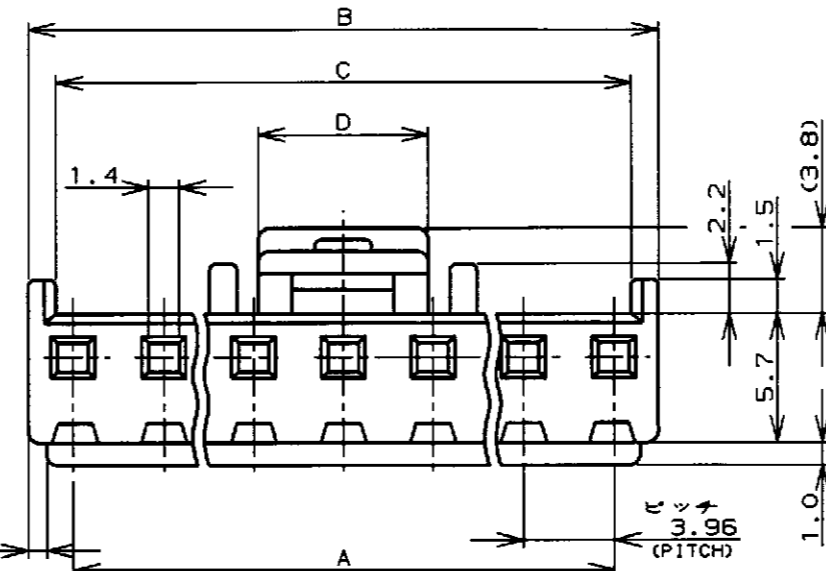
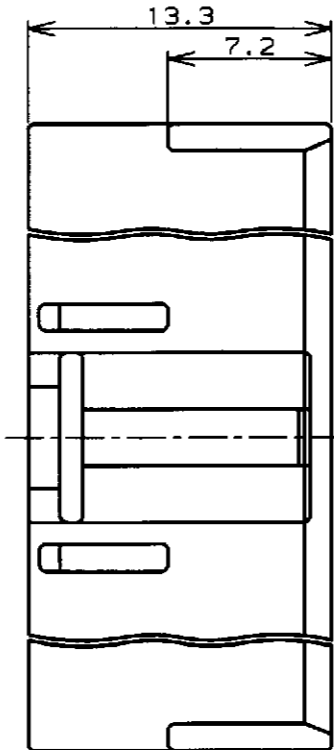
BY AMP INCORPORATED. ALL RIGHTS RESERVED.

注記:

- 1. 適用コンタクト : 0-1123721-1
- 2. 嵌合相手製品型番 : □-1123723-□
□-1123724-□

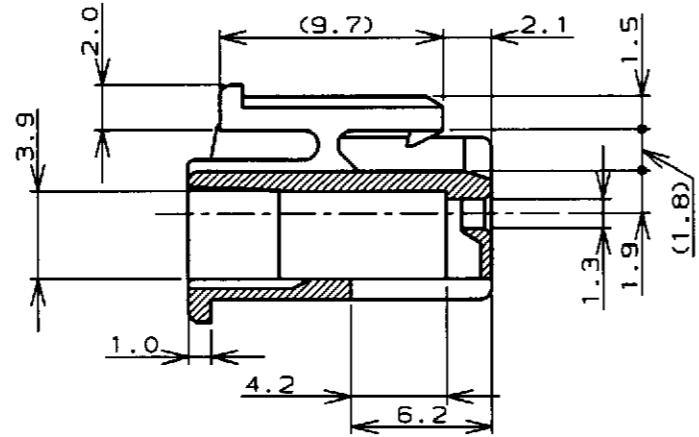
NOTES:

- 1. APPLICABLE CONTACT P/N : 0-1123721-1
- 2. MATING CONN P/N: □-1123723-□
□-1123724-□



最終回路No. (THE LAST OF CIRCUIT No)

回路No.1 (CIRCUIT No.1)



断面 A SECT A

41.10	43.50	39.60	緑 (GREEN)	11	6-1123722-1	
			黒 (BLACK)		5- -1	
			赤 (RED)		4- -1	
			青 (BLUE)		3- -1	
			黄 (YELLOW)		2- -1	
			自然色 (NATURAL)		1- -1	
37.14	39.54	35.64	緑 (GREEN)	10	6- -0	
			黒 (BLACK)		5- -0	
			赤 (RED)		4- -0	
			青 (BLUE)		3- -0	
			黄 (YELLOW)		2- -0	
			自然色 (NATURAL)		1- -0	
33.18	35.58	31.68	緑 (GREEN)	9	6- -9	
			黒 (BLACK)		5- -9	
			赤 (RED)		4- -9	
			青 (BLUE)		3- -9	
			黄 (YELLOW)		2- -9	
			自然色 (NATURAL)		1- -9	
29.22	31.62	27.72	緑 (GREEN)	8	6- -8	
			黒 (BLACK)		5- -8	
			赤 (RED)		4- -8	
			青 (BLUE)		3- -8	
			黄 (YELLOW)		2- -8	
			自然色 (NATURAL)		1- -8	
7.50	25.26	27.66	緑 (GREEN)	7	6- -7	
			黒 (BLACK)		5- -7	
			赤 (RED)		4- -7	
			青 (BLUE)		3- -7	
			黄 (YELLOW)		2- -7	
			自然色 (NATURAL)		1- -7	
21.30	23.70	19.80	緑 (GREEN)	6	6- -6	
			黒 (BLACK)		5- -6	
			赤 (RED)		4- -6	
			青 (BLUE)		3- -6	
			黄 (YELLOW)		2- -6	
			自然色 (NATURAL)		1- -6	
17.34	19.74	15.84	緑 (GREEN)	5	6- -5	
			黒 (BLACK)		5- -5	
			赤 (RED)		4- -5	
			青 (BLUE)		3- -5	
			黄 (YELLOW)		2- -5	
			自然色 (NATURAL)		1- -5	
13.38	15.78	11.88	緑 (GREEN)	4	6- -4	
			黒 (BLACK)		5- -4	
			赤 (RED)		4- -4	
			青 (BLUE)		3- -4	
			黄 (YELLOW)		2- -4	
			自然色 (NATURAL)		1- -4	
9.42	11.82	7.92	緑 (GREEN)	3	6- -3	
			黒 (BLACK)		5- -3	
			赤 (RED)		4- -3	
			青 (BLUE)		3- -3	
			黄 (YELLOW)		2- -3	
			自然色 (NATURAL)		1- -3	
3.60	5.46	7.86	緑 (GREEN)	2	6- -2	
			黒 (BLACK)		5- -2	
			赤 (RED)		4- -2	
			青 (BLUE)		3- -2	
			黄 (YELLOW)		2- -2	
			自然色 (NATURAL)		1-1123722-2	
D	C	B	A	ハウジング色調 (HOUSING COLOR)	極数 (POS)	型番 (P/N)

THIS DRAWING IS A CONTROLLED DOCUMENT FOR AMP INCORPORATED. IT IS SUBJECT TO CHANGE AND THE CONTROLLING ENGINEERING ORGANIZATION SHOULD BE CONTACTED FOR THE LATEST REVISION.

DWN 24 JUN '98
CHK 24 JUN '98
APVD 24 JUN '98

N. YAMASAKI
M. SHINDO
M. SHINDO

AMP
Kawasaki, Japan

PRODUCT SPEC
108-5609

APPLICATION SPEC
取付適用規格

WEIGHT

CUSTOMER DRAWING

3.96mm PITCH ECONOMY POWER (EP) CONN. PLUG HSG
3.96mm ピッチエコノミーパワー (EP) コネクタ
プラグハウジング

SIZE A3 CAGE CODE 00779 DRAWING NO. 1123722

SCALE 1:1 SHEET 1 OF 1 REV C

LOC	DIST	P	LTR	DESCRIPTION	ECN	DATE	DWN	APVD
		C		変更 (REVISED)	FJ00-2025-98	12 NOV '98	my	M.S
		B		変更 (REVISED)	FJ00-1907-98	13 OCT '98	N.Y	M.S
		A		変更 (REVISED)	FJ00-1566-98	19 AUG '98	N.Y	M.S
		O		作成 (RELEASED)	FJ00-1181-98	24 JUN '98	N.Y	M.S

REVISIONS 変更