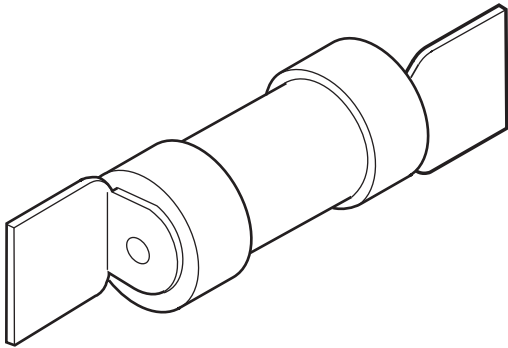


Industrial HRC Fuse

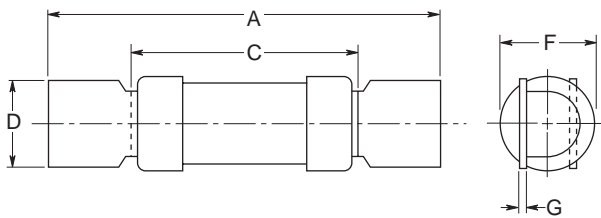
12 x 48mm, BS88: Part 6, IEC 269-1

Offset Blade Tags

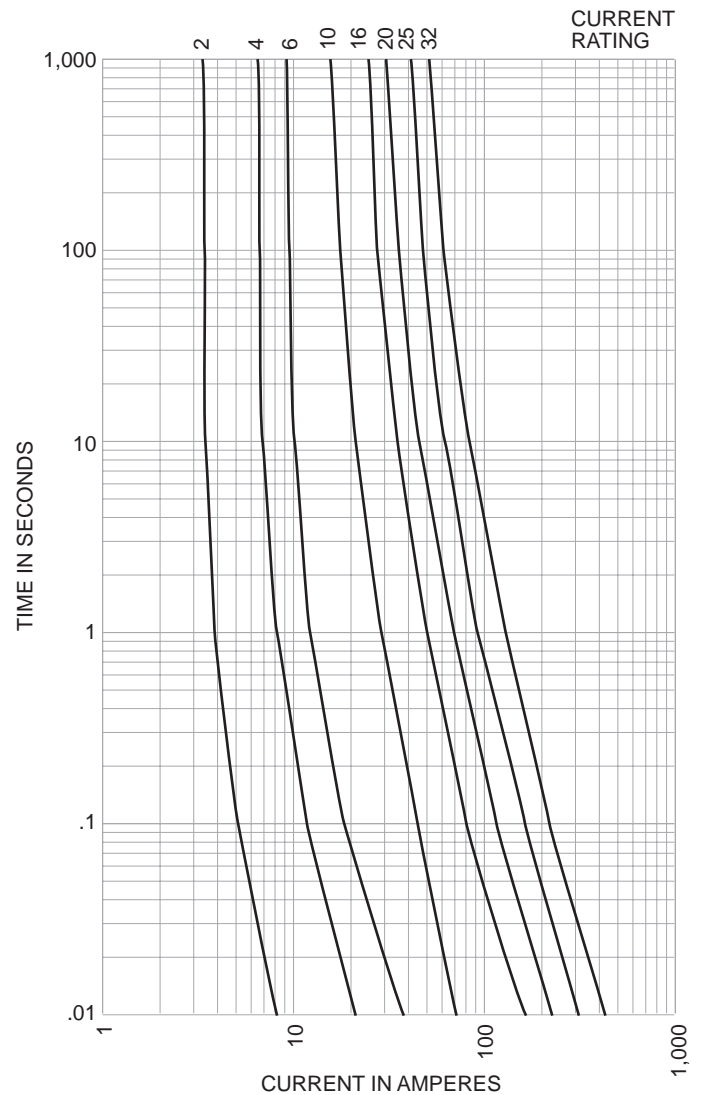


CATALOG SYMBOL: SSD
 INDUSTRIAL HRC FUSE
 OFFSET BLADE TAGS
 PACKAGE QUANTITY: 20
 33kA INTERRUPTING RATING

Dimensional Data:



Time-Current Characteristic Curve (Full Size Curves Available)



Electrical Characteristics

Catalog Number	Ampere Rating	I ² T (Amp ² Seconds)		Watts Loss	Nom Rated Voltage	Dimensions (Inches/mm)				
		Pre-Arcing	Total At 415V			A	C	D	F	G
SSD2	2	0.8	1	0.5	240AC	47.0	23.0	12.7	0.47 12.0	0.03 0.8
SSD4	4	5.4	8	1						
SSD6	6	15	22	1.6						
SSD10	10	28	42	1.2						
SSD16	16	160	250	1.5						
SSD20	20	293	450	1.7						
SSD25	25	800	1300	1.8						
SSD32	32	1600	2500	2.4						

This bulletin is intended to clearly present comprehensive product data and provide technical information that will help the end user with design applications. Bussmann reserves the right, without notice, to change design or construction of any products and to discontinue or limit distribution of any products. Bussmann also reserves the right to change or update, without notice, any technical information contained in this bulletin. Once a product has been selected, it should be tested by the user in all possible applications.

