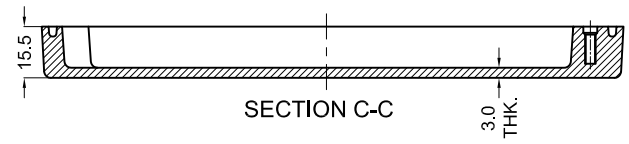
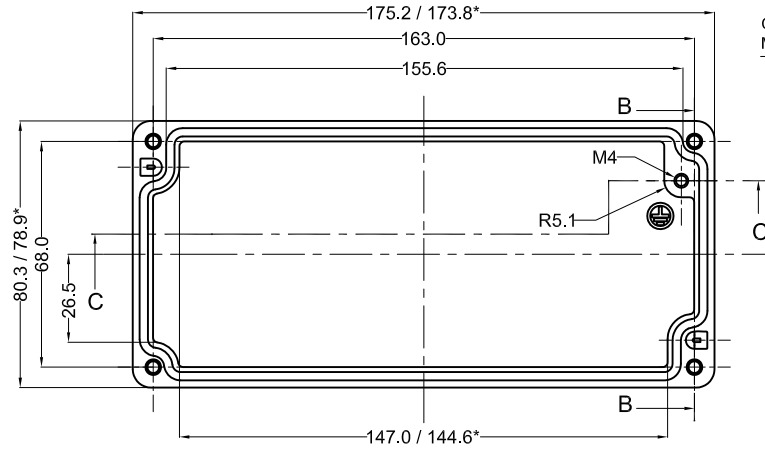


\* = Conical form tapering downward.  
 Untoleranced dimensions per GTA 13/5 DIN 1688

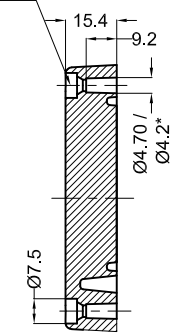


SECTION C-C

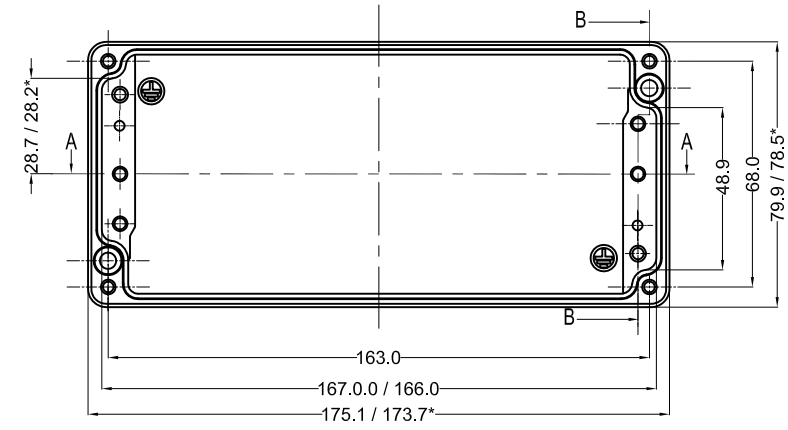
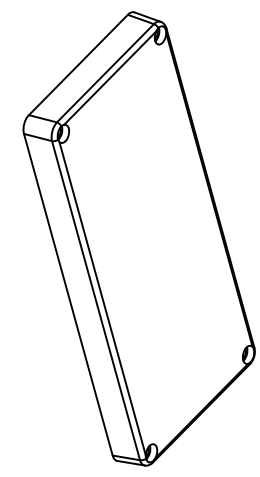


LID

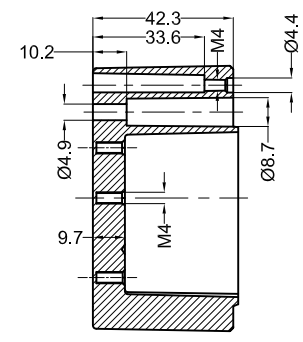
Cylinder Screw  
 M4 x 20/7 similar to DIN 84



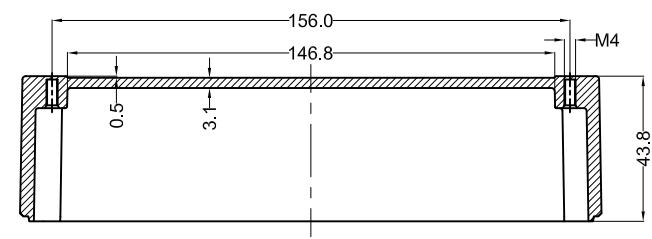
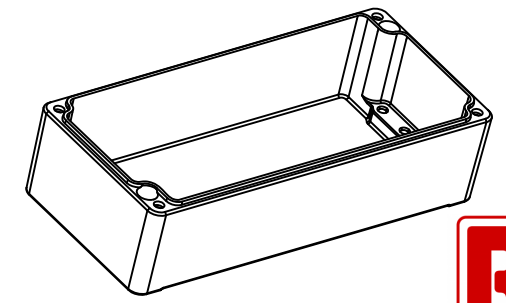
SECTION B-B



BASE



SECTION B-B



SECTION A-A



QUANTITY	MATERIAL :- <b>AlSi12 DIN230</b>	MACH.NAME	DATE	SIGN	NAME
		-	11/06/12		RRPL DESIGN
		TITLE :- JUNCTION BOX 175 x 80 x 57	11/06/12		MANOJ DRAWN
					PAVAN CHECKED
					S.D. APPROVED
TOLERANCE	WEIGHT: -	FINISH: NATURAL	SCALE	PARTNO. 0	
±0.2 DIMENSIONS	ALL DIMENSION ARE IN MM		REV	DRG. NO.	
±0.2 HOLES			0	AJB-1758057	
±1.0° ANGLES					