

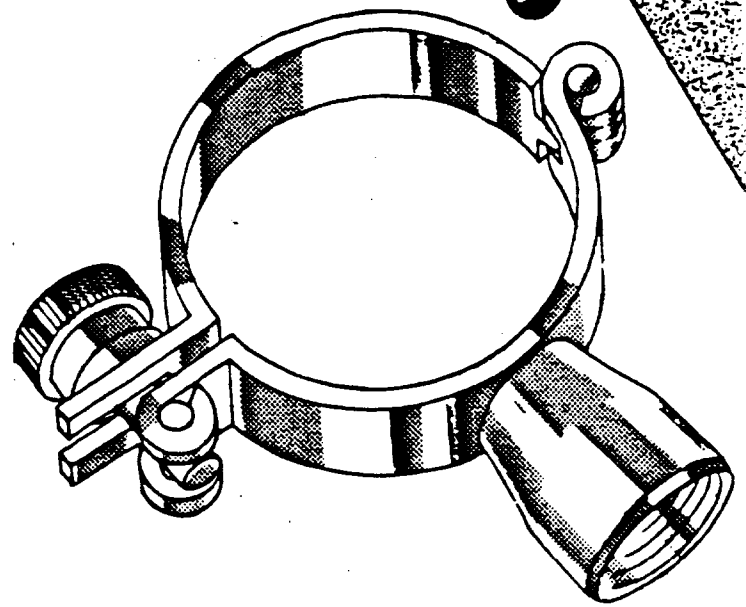


All Stainless Pipe Clip

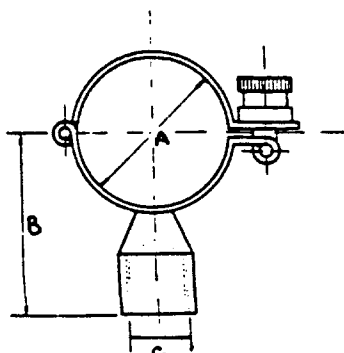
No. 90
range of stainless steel hinged pipe clips.

Designed to meet the requirements of today's industries, these clips feature:-

- 18/8 stainless steel construction
- captive securing nut
- economical price
- polished finish
- robust construction
- flexibility in mounting-modes
- size range 1" to 4"



PIPE CLIP WITH SOCKET



DIMENSIONS

CODE NO.

A(in)	B(mm)	C(in)	
1	49	1/2 BSP	10090
1 1/2	56	1/2 BSP	15090
2	62	1/2 BSP	20090
2 1/2	68	1/2 BSP	25090
3	75	1/2 BSP	30090
4	85	1/2 BSP	40090