

MT-GD2



Universal Metal Tongue Operated Safety Interlock Switch

Description

The MT-GD2 is a robust tongue actuated safety interlock switch designed to fit at the opening edge of sliding, hinged or lift-off guards. With its dual entry slots and rotatable head, the MT-GD2 can offer eight different options for actuator entry.

The MT-GD2 features a compact housing of only 117mm x 40mm x 43mm with DIN 50041 standard fixing centers and includes forced guided contacts and a tamper-resistant mechanism.

The MT-GD2 is available with a variety of contact configurations enabling it to be used as part of a system for higher-risk applications. The unit is sealed to IP67 and has 1 conduit entry. Operation of the switch is achieved by the insertion of the specially profiled stainless steel actuator which should be permanently fixed to the leading edge of the guard door. An optional flexible actuator allows the MT-GD2 to operate on smaller radii doors ($\geq 60\text{mm}$) and a flat actuator gives additional mounting options.

A version incorporating a latch release mechanism allows manual retention of the actuator in the switch until the release mechanism is manually activated.

Features

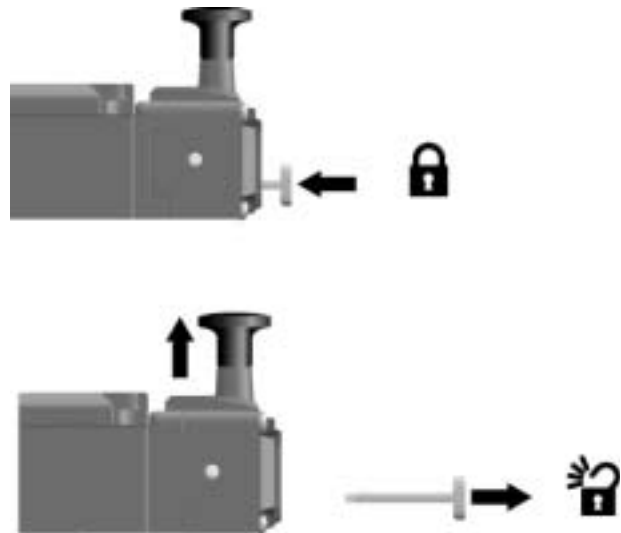
- Strong and versatile, can be used in most applications
- Eight possible actuator entry points, easy to install
- Variety of contact configurations
- Optional latch release versions
- Industry standard fixing centers to DIN/EN 50041
- Conforms to EN 1088, EN 292, EN 60947-5-1, EN 60204-1, EN 50041

Specifications

Standards	IEC 60947-5-1, ISO 14119, ISOTR 12100, IEC 60204-1			
Approvals	CE marked for all applicable directives			
Safety Contacts	2 N.C. positive break			
Utilization Rating	AC 15			
Designation/Utilization Cat.				
A600/AC-15 (Ue)	600V	500V	240V	120V
(Ie)	1.2A	1.4A	3A	6A
N600/DC-13 (Ue)	600V	500V	250V	125V
(Ie)	0.4A	0.55A	1.1A	2.2A
Thermal Current (Ith)	10A			
Minimum Current	5V, 5mA DC			
Rtd. Insulation Voltage	(Ui) 500V			
Rtd. Impulse Withstand Voltage	(Uimp) 2500V			
Auxiliary Contacts	1 N.O.			
Actuator Travel for Positive Opening	6mm (0.24in)			
Break Contact Min. Force	12N (2.7lb)			
Maximum Actuation Speed	1m/s			
Maximum Actuation Frequency	2 cycle per sec			
Case Material	Painted zinc			
Actuator Material	Stainless Steel			
Protection	IP67			
Conduit Entry	1/2in NPT			
Operating Temperature	-20°C to +80°C (-4°F to +176°F)			
Fixing	4 x M5			
Mounting	Any position			
Mechanical Life	1 million minimum			
Weight	520g (1.15lbs)			
Color	Red			
Cleaning	May be high pressure steam cleaned			
Torque Settings				
Fixing Bolts	1.6Nm			
Lid Screws	16.Nm			
Terminal Screws	1.0Nm			

Note: The safety contacts of the Guardmaster switches are described as normally closed (N.C.) i.e., with the guard closed, actuator in place (where relevant) and the machine able to be started.

MT-GD2 Latch Release Version


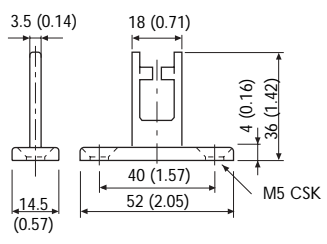
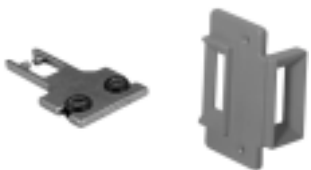
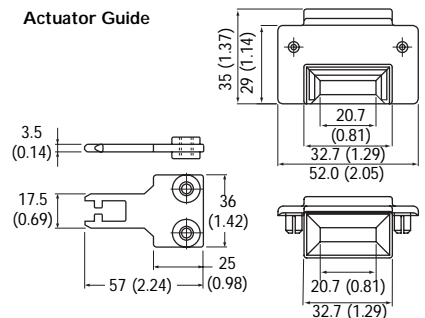

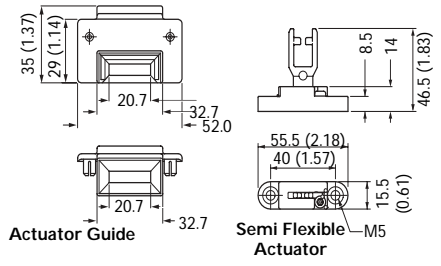


Ordering Details

Type	Conduit	Contact Type	Contact	Actuator	Catalog Number		
MT-GD2	1/2in NPT	BBM	3 N.C. & 1 N.O.	Standard	440K-MT55022		
			2 N.C. & 2 N.O.	Fully-Flexible	440K-MT55029		
		MBB	3 N.C. & 1 N.O.	Standard	440K-MT55026		
			2 N.C. & 2 N.O.	Standard	440K-MT55025		
		MT-GD2 Latch Release	1/2in NPT	BBM	4 N.C.	Standard	440K-MT55024
					2 N.C. & 2 N.O.	Standard	440K-MT55050
Yellow MT-GD2	1/2in NPT	BBM	3 N.C. & 1 N.O.	Fully-Flexible	440K-MT55051		
			2 N.C. & 2 N.O.	Standard	440K-MT55041		
		—	4 N.C.	Standard	440K-MT55045		
			2 N.C. & 2 N.O.	Fully-Flexible	440K-MT55053		
Yellow MT-GD2	1/2in NPT	BBM	4 N.C.	Standard	440K-MT55054		
			2 N.C. & 1 N.O.	Fully-Flexible	440K-MT55038		




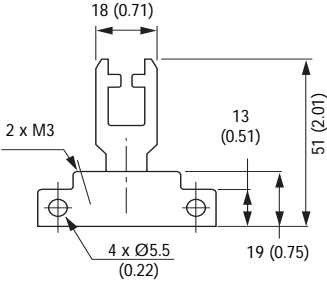

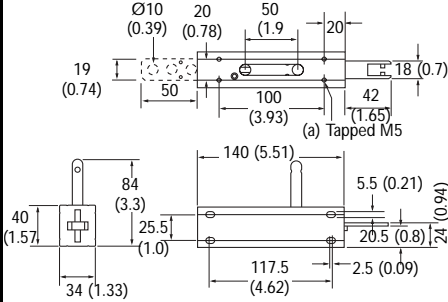

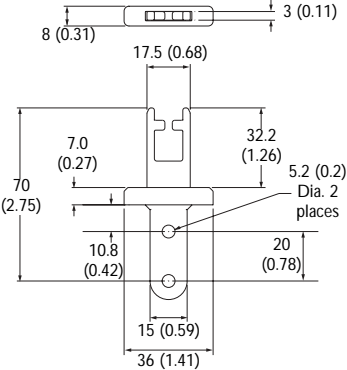
Accessories

Description	Dimensions—mm (inches)	Catalog Number
 <p>GD2 Standard Actuator</p>		440G-A27011
 <p>Flat Actuator (Discard the Alignment Guide for GD2)</p>	<p>Actuator Guide</p> 	440K-A11112
 <p>Semi-flexible Actuator (Discard the Alignment Guide)</p>	 <p>Actuator Guide</p> <p>Semi Flexible Actuator</p>	440K-A11144



MT-GD2

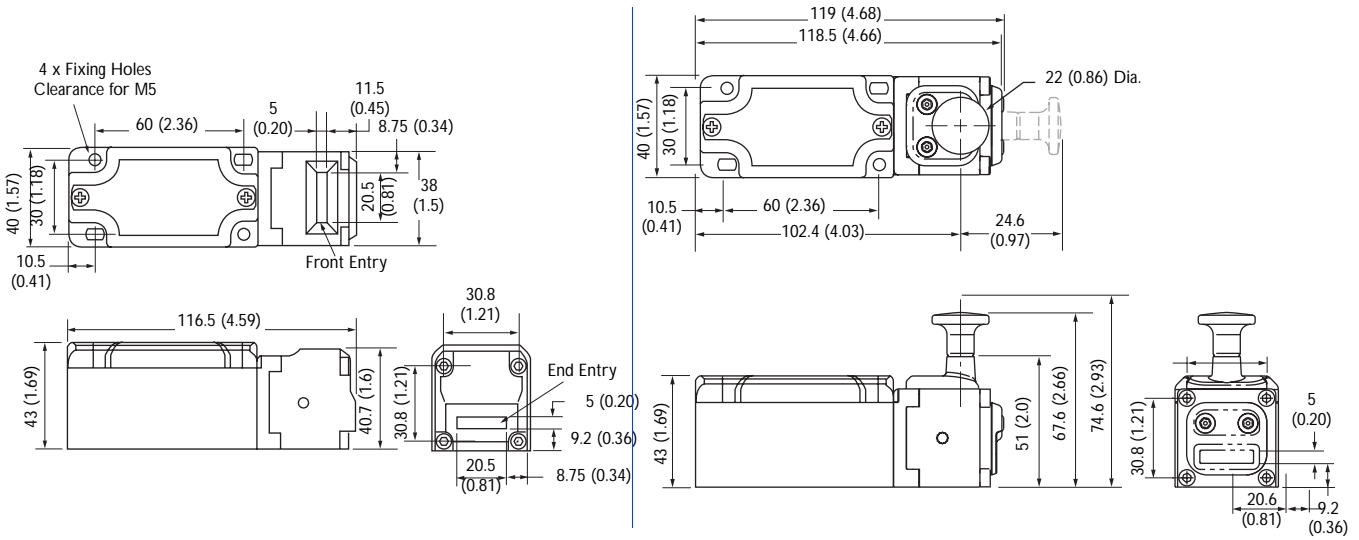
Accessories (continued)

Description		Dimensions—mm (inches)	Catalog Number
	Fully-flexible Actuator		440G-A27143
	Sliding Bolt Actuator		440G-A27163
	Extended Flat Actuator		440K-A17116 New

Interlock Switches



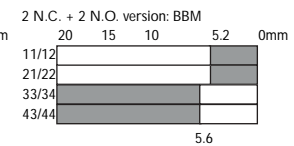
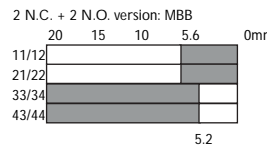
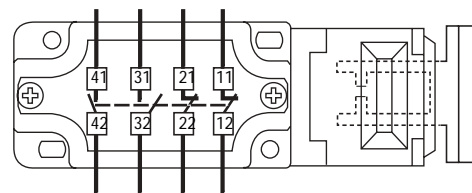
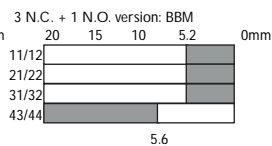
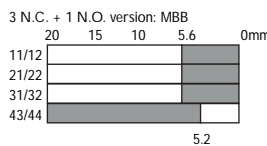
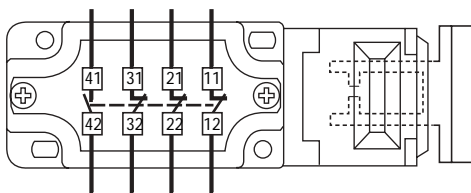
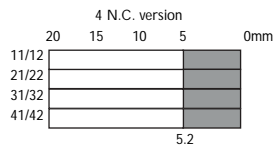
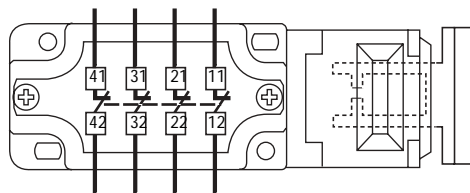
Dimensions—mm (in)



Connections (shown with guard closed, actuator inserted)

Contact Action

□ Contact Open ■ Contact Closed
 Actuator withdrawal distance from full insertion



Interlock Switches

