



## Datasheet

ENGLISH



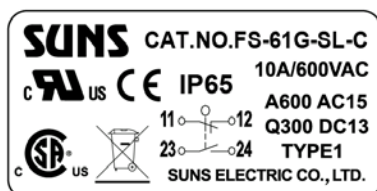
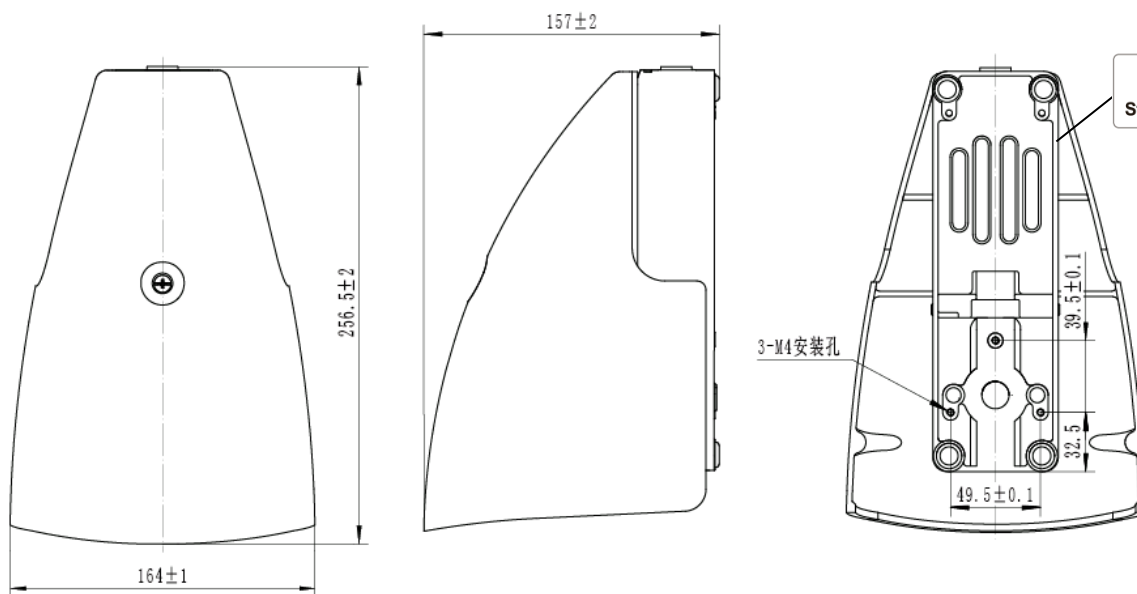
RS Article No. 1222791

### Specifications:

Operating Frequency	60 ops/min
Insulation Resistance	<b>&gt;100MΩ@500V DC</b>
Contact Resistance	<b>&lt;25mΩ</b> (initial)
Rated Thermal Current	10A/600VAC
Electrical Rating	AC 15 A600 (IEC947-5-1) DC 13 Q300
Dielectric Strength	1000VAC for 1 min between current carrying parts 2500VAC for 1 min between non-current carrying parts
Service Life	Mechanically 1X10 <sup>6</sup> Electrically 5X10 <sup>5</sup>
Operating Temperature	-30~+80°C (-22~176°F)
Humidity	<95%RH
Degree of Protection	IP65

## Features:

- Robust aluminum alloy die cast body
- High current carrying capacity
- Galvanically separated contacts
- Screw terminals with self-lifting clamps for easy wiring
- Positive opening of NC contacts
- UL/CSA APPROVAL(E216958)
- Slow action( break before make
- Fully guarded
- Threaded hole available:M20\*1.5



10/05/2016