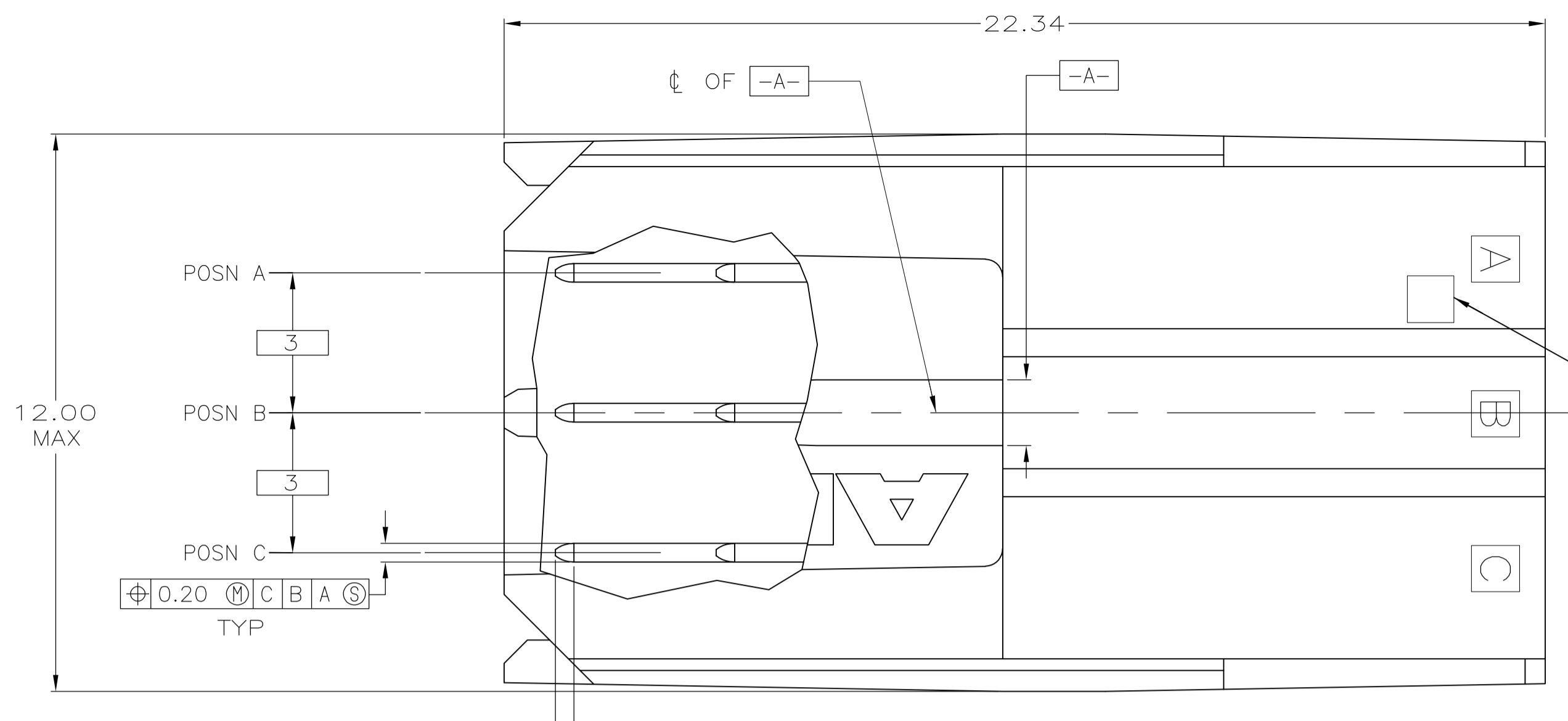
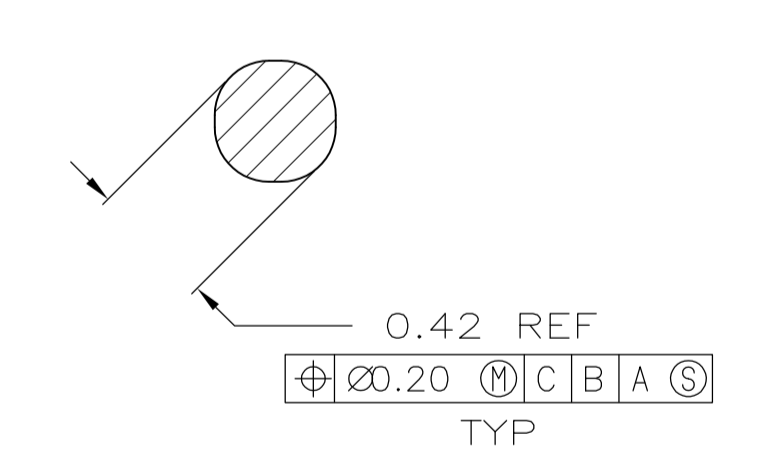
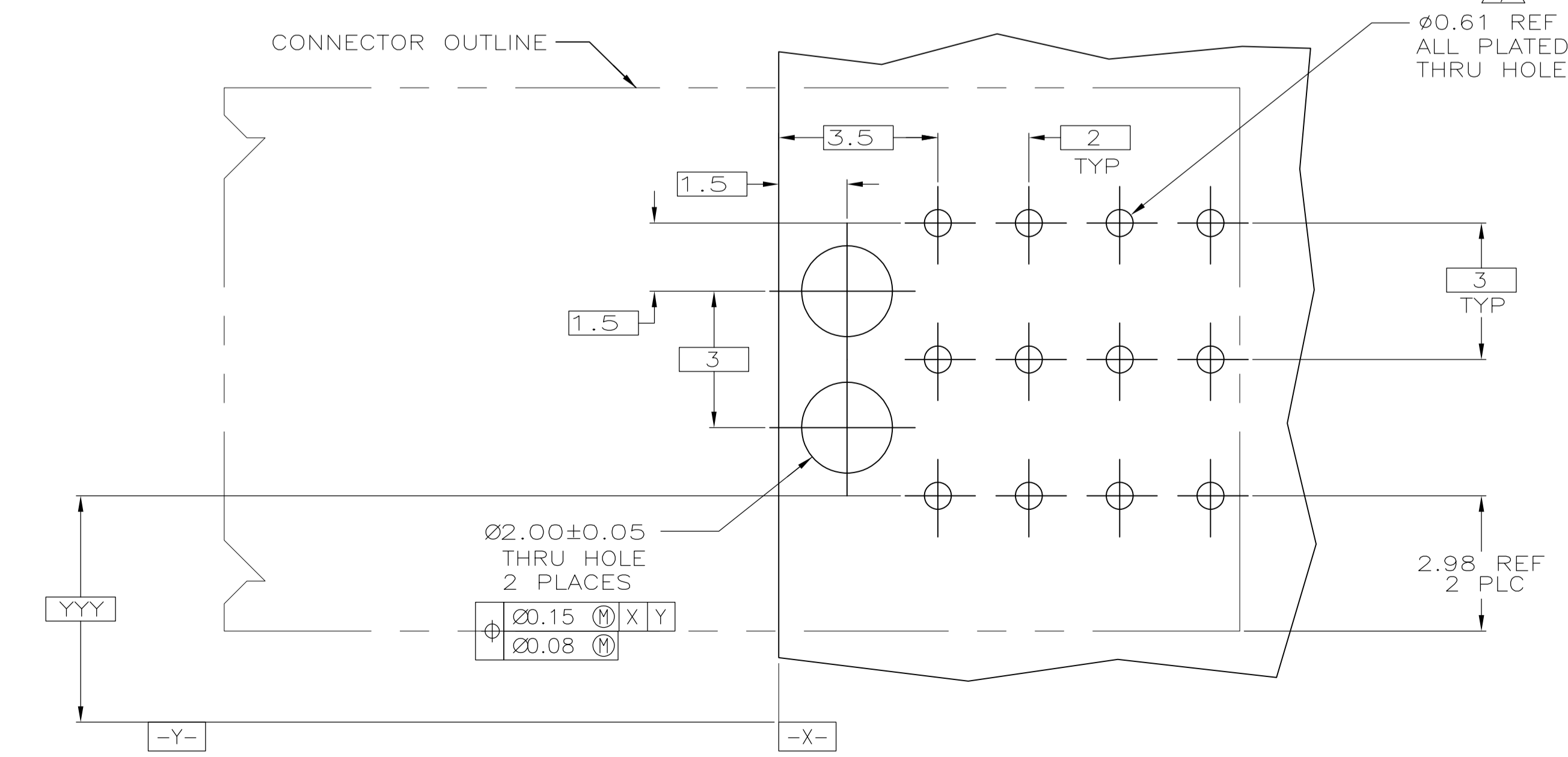
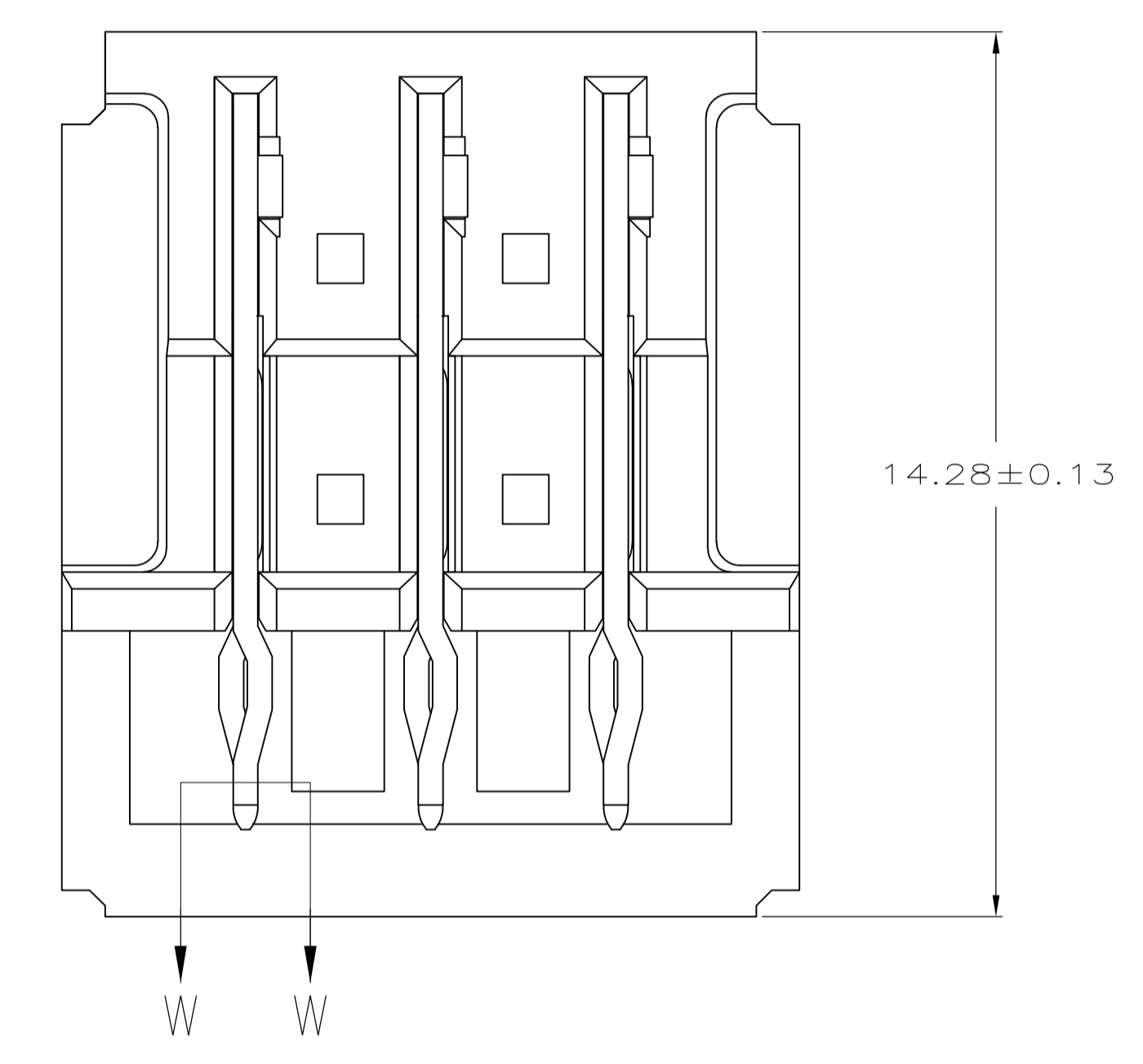
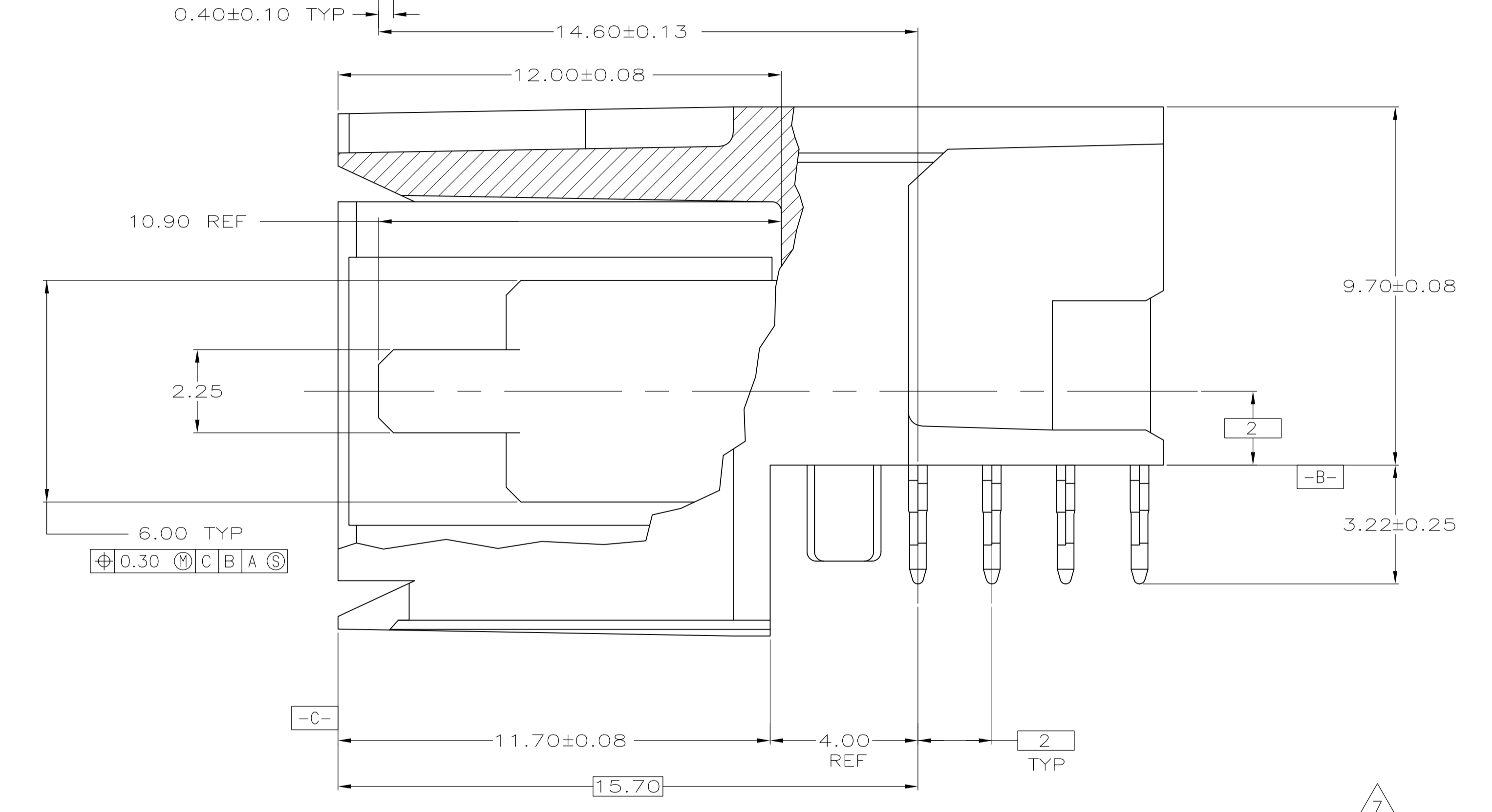
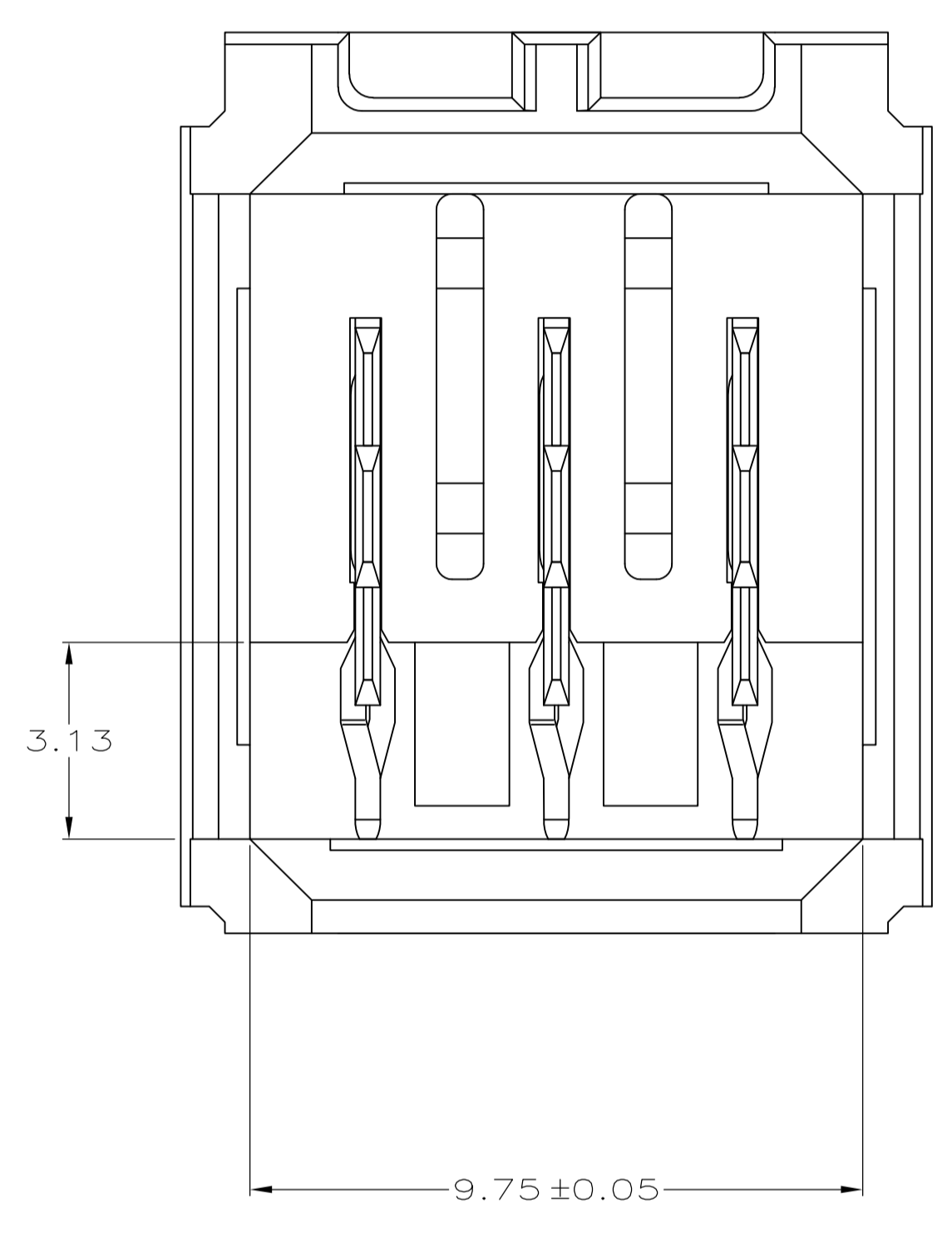


| LOC | | DIST | | REVISIONS | | | |
|-----|---------------------------|------|---------|-----------|-----|------|--|
| AD | 00 | REV | DATE | BY | CHK | APPV | |
| B1 | REVISED PER ECO-11-004835 | | 11MAR11 | RK | HMR | | |



- 1 MATERIAL: HOUSING: POLYESTER. COLOR: GRAY. 94V-0 CONTACT: PHOSPHOR BRONZE.
- 2 FINISH: CONTACT MATING AREA: 1.27µm MIN GOLD OR 0.08µm MIN GOLD OVER 0.76µm MIN PALLADIUM-NICKEL ACTION PIN AREA: 0.5µm MIN TIN PLATE, ALL OVER 1.27µm MIN NICKEL UNDERPLATE.
- 3 FINISH: CONTACT LUBRICATION WITH BELLCORE APPROVED LUBRICANT, TECHNICAL REFERENCE: TR-NWT-001217, ISSUE 1, SEPTEMBER 1992.
- 4 MATERIAL: HOUSING: LCP; COLOR: RED. 94V-0 CONTACT: PHOSPHOR BRONZE.
- 5 NUMBER "3" MARKED IN THIS AREA.
- 6 MATERIAL: HOUSING: POLYESTER. COLOR: GRAY. 94V-0 CONTACT: HIGH CURRENT COPPER ALLOY.
- 7 REFERENCE APPLICATION SPEC 114-1103 FOR RECOMMENDED PLATED THRU HOLE DIAMETER AND PLATING THICKNESS.
- 8 CURRENT RATING 10A/CONTACT FOR PHOS BRONZE CONTACTS AND 16A/CONTACT FOR HIGH CURRENT COPPER ALLOY CONTACTS PER PRODUCT SPEC 108-1651.



SECTION W-W
SCALE 40:1

| MATERIAL/FINISH | PART NUMBER |
|-----------------|-------------|
| 1 2 3 6 | 5-5223961-1 |
| 1 2 3 5 | 5223961-8 |
| 1 2 3 | 5223961-1 |

THIS DRAWING IS A CONTROLLED DOCUMENT.

| | | | |
|----------------|--|---------------------|---------|
| DIMENSIONS: mm | TOLERANCES UNLESS OTHERWISE SPECIFIED: | DIN B CARDO 10DEC04 | 10DEC04 |
| 0 PLC ± - | 1 PLC ± - | CHK R PATTERSON | 10DEC04 |
| 2 PLC ± 0.13 | 3 PLC ± - | APPV R PATTERSON | 10DEC04 |
| 4 PLC ± - | ANGLES ± - | NAME | |

ASSEMBLY, RIGHT ANGLE HEADER, W/ RETENTION PEGS, UNIVERSAL POWER MODULE

SIZE: A1 CAGE CODE: 00779 DRAWING NO: 5223961

WEIGHT: -

CUSTOMER DRAWING SCALE: 10:1 SHEET: 1 OF 1 REV: B1

RECOMMENDED PCB HOLE LAYOUT