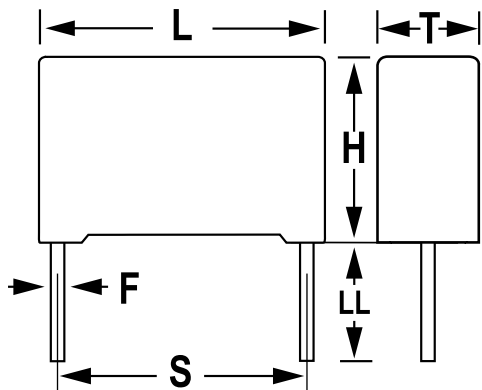


R49_310, Film, Metallized Polypropylene, Safety, 0.22 uF, 10%, 310 VAC (X1), 800 VDC, 110°C, Lead Spacing = 22.5mm



Dimensions

L	26.5mm +0.3mm
H	17mm +0.1mm
T	8.5mm +0.2mm
S	22.5mm +/-0.4mm
LL	25mm +2/-1mm
F	0.8mm +/-0.05mm

Packaging Specifications

Packaging:	Bulk, Bag
Packaging Quantity:	300

General Information

Supplier:	KEMET
Series:	R49_310
Dielectric:	Metallized Polypropylene
Style:	Radial
Features:	EMI Safety
RoHS:	Yes
Lead:	Wire Leads
Qualifications:	ENEC, UL, cUL

Specifications

Capacitance:	0.22 uF
Capacitance Tolerance:	10%
Voltage AC:	310 VAC (X1)
Voltage DC:	800 VDC
Temperature Range:	-40/+110C
Rated Temperature:	110°C
Dissipation Factor:	0.10% 1kHz
Insulation Resistance:	100 GOhms
Max dV/dt:	400 V/us
Safety Class:	X1