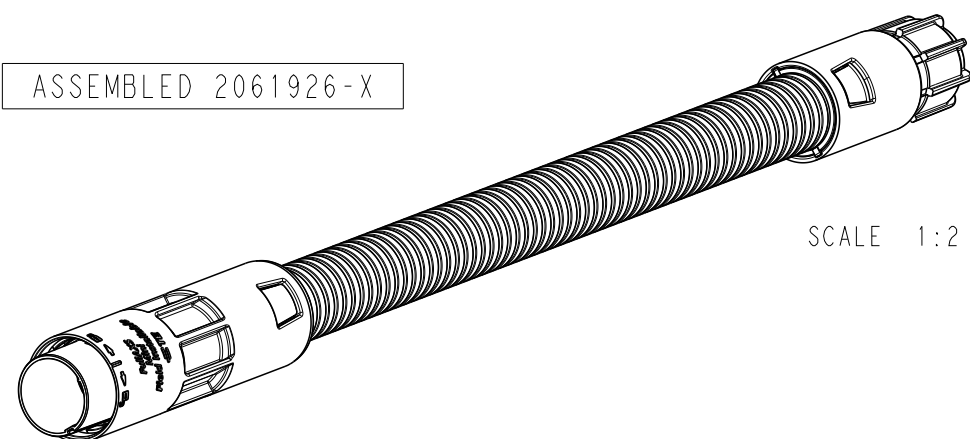


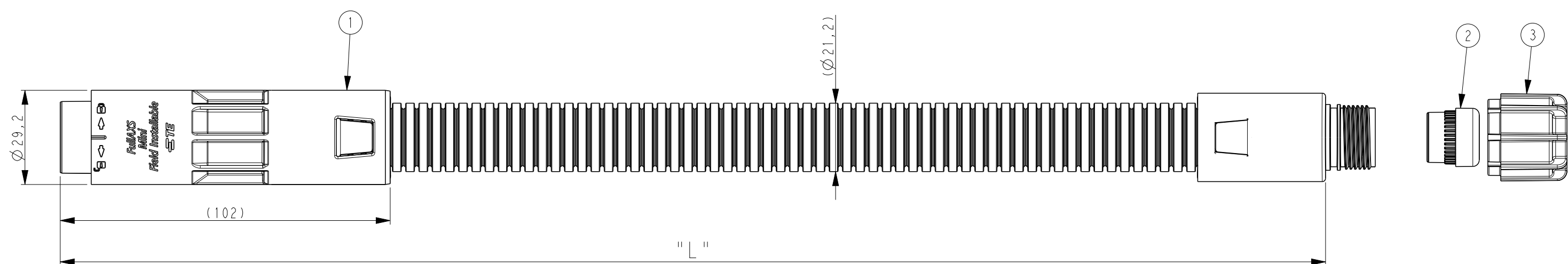
REVISIONS

P	LTR	DESCRIPTION	DATE	DWN	APVD
	1	INITIAL ISSUE	08APR2015	RC	SB



ASSEMBLED 2061926-X

SCALE 1:2



TE Part Number	"L" (mm)	Cable Diameter
2061926-1	500 ±20	4.8±0.2 mm
2061926-2	300 ±20	4.8±0.2 mm

**PRELIMINARY PART
NOT RELEASED FOR PRODUCTION**

**THIS PRODUCT HAS NOT COMPLETED
VALIDATION TESTING**

NOTES:

1. THIS FIELD INSTALL KIT SHOULD BE USED WITH RUGGEDIZED CABLE AND RUGGED FAN-OUT CONSTRUCTION NO 900 MICRON TERMINATIONS TO BE USED.
2. CABLE DIAMETER RANGE: SEE TABLE
3. THE FLAMMABILITY RATING OF THE MATERIAL IS UL94-V0
4. THE MATERIAL IS HALOGEN FREE ACCORDING IEC 60754-2
5. EACH ASSEMBLY IS PACKED IN A PROTECTIVE SLEEVE - GLAND SEAL AND NUT ARE SEPARATELY SEALED
6. AN INSTRUCTION SHEET IS PACKED WITH EACH FIELD INSTALL KIT
7. PACKED PER 40 ASSEMBLIES IN A SHIPPING BOX

Item	Description	Qty
3	FULLIFLEX MINI FIELD INSTALL NUT FOR CABLE GLAND	1
2	FULLIFLEX MINI FIELD INSTALL CABLE GLAND SEAL	1
1	FULLIFLEX MINI FIELD INSTALL CORRUGATED TUBE with COUPLING	1

THIS DRAWING IS A CONTROLLED DOCUMENT.

DIMENSIONS: mm	TOLERANCES UNLESS OTHERWISE SPECIFIED: 0 PLC ±0,5 1 PLC ±0,25 2 PLC ±0,03 3 PLC ±0,005 4 PLC ±0,0010 ANGLES ±1	DWN 08APR2015 R. COOLEN CHK 08APR2015 M. SCHOLTEN APVD 08APR2015 S. BORGAS	TE Connectivity
MATERIAL	FINISH	PRODUCT SPEC	PRELIMINARY
		APPLICATION SPEC	Fulliflex Mini Field Install Kit
		WEIGHT	SIZE A3 CAGE CODE - DRAWING NO C-2061926 RESTRICTED TO -
		Customer Drawing	SCALE 4:5 SHEET 1 OF 1 REV 1