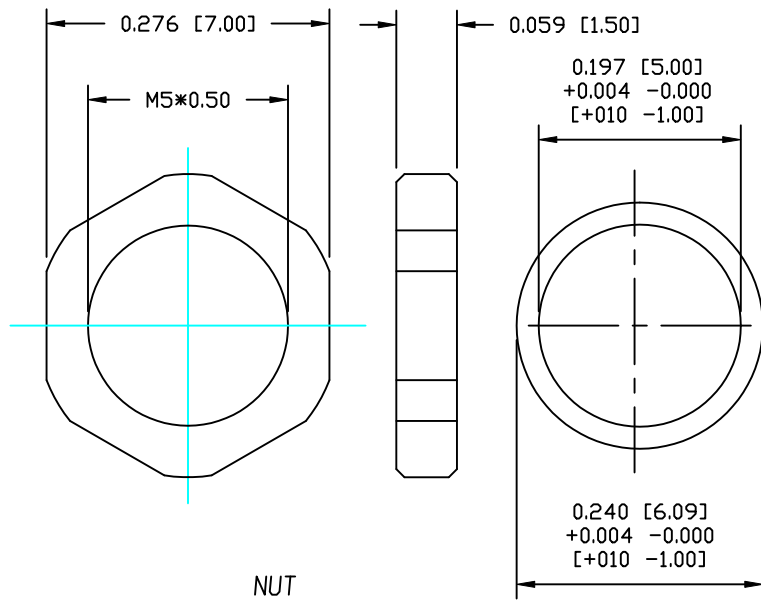
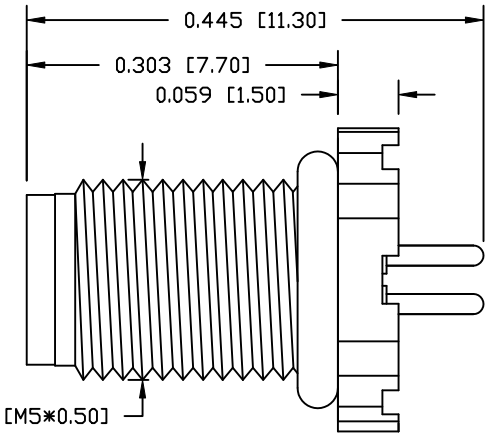
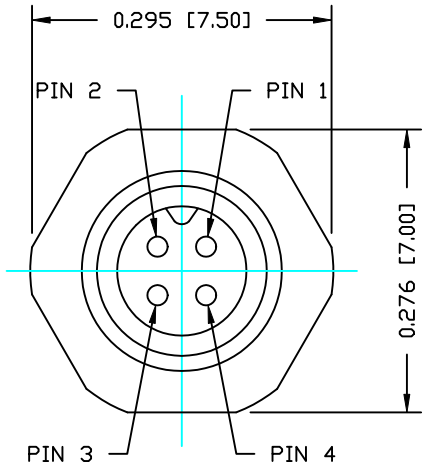


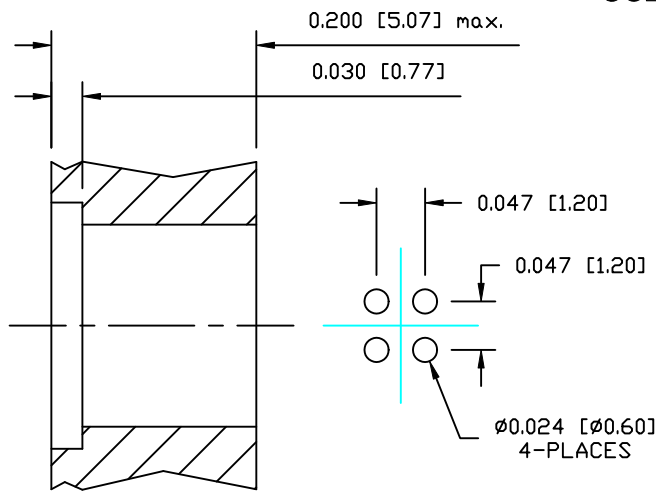
**DESCRIPTION: M5 MALE - PANEL MOUNT (REAR) - VERTICAL - 4 POSITION**

**NOTE:**

<b>MATERIAL</b>	
HOUSING:	PBT UL94V-0, BLACK
CONTACT:	BRASS
NUT:	BRASS
SHELL:	BRASS
O-RING:	NBR, BLACK
<b>FINISH</b>	
CONTACT:	GOLD PLATED OVER 50µ NICKEL
NUT:	NICKEL PLATED
SHELL:	NICKEL PLATED
<b>ELECTRICAL</b>	
RATED CURRENT:	1A
RATED VOLTAGE:	60V
INSULATION RESISTANCE:	100 mΩhms MIN.
CONTACT RESISTANCE:	10 MΩhms MAX.
WATER PROOF:	IP67
<b>ENVIRONMENT</b>	
OPERATION TEMPERATURE:	-40°C TO +85°C
MAX. ASSEMBLY TORQUE:	1.5 in lbs



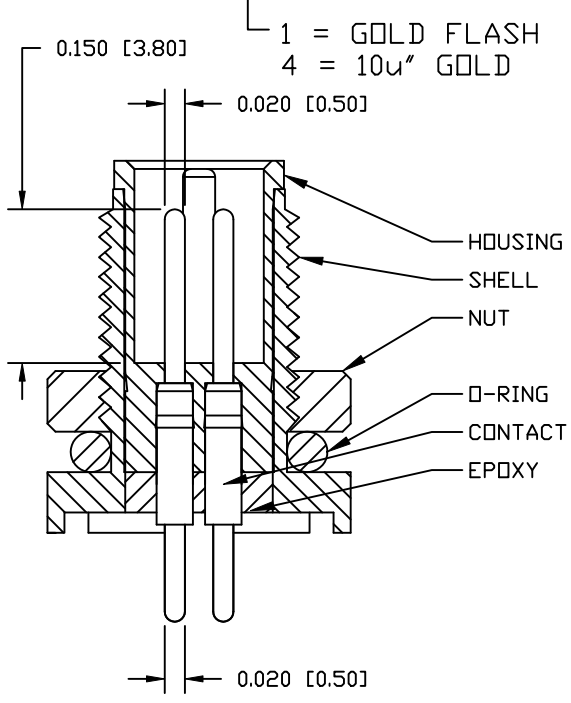
NUT



RECOMMENDED  
PANEL PCB

RECOMMEND PANEL CUT-OUT  
MAX. PANEL THICKNESS: 0.200" [5.08]

**852-004-113R00Y**



RoHS COMPLIANT

DO NOT SCALE FROM DRAWING



THESE DRAWINGS AND SPECIFICATIONS ARE THE PROPERTY OF NorComp AND SHALL NOT BE REPRODUCED, COPIED OR USED AS THE BASIS FOR THE MANUFACTURE OR SALE OF APPARATUS WITHOUT WRITTEN PERMISSION.

DRAWN:	M. SIGMON	DATE:	03-04-16
CHECKED:		DATE:	

**NorComp**

SCALE:	NTS	SHEET	1	OF	1	REV	2
DWG NO.	852-004-113R00Y						