



Material Safety Data Sheet

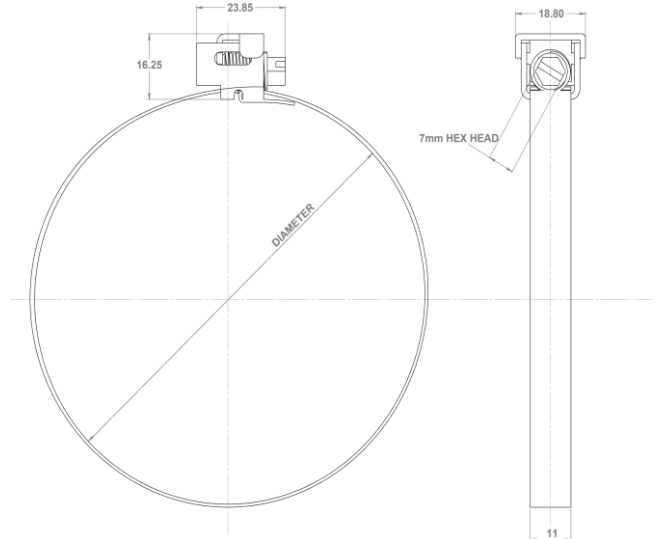


Section 1 Company and Product Identification

L. Robinson & Company (Gillingham) Limited,
 Incorporating Jubilee® Clips Limited
 Owens Way, Gads Hill,
 Gillingham,
 Kent,
 ME7 2RS, UK

Tel: +44 (0)1634 281200
 Fax: +44 (0)1634 280101
[http:// www.jubileeclips.co.uk](http://www.jubileeclips.co.uk)

Jubilee® Quick Release Straps 11mm,
 Zinc Plated Mild Steel (W1) Range



RS Part Number	Jubilee Part Number	Adjustment		Band Width mm	Band Thickness mm	Recommended Torque Nm	Max Torque Nm
		mm	Inches				
1440729	CAS050MS	35 - 50	1½ - 2	11	0.82	3.4	4.5
1440731	CAS075MS	45 - 75	1¾ - 3	11	0.82	3.4	4.5
1440732	CAS100MS	50 - 100	2 - 4	11	0.82	3.4	4.5
1440733	CAS120MS	50 - 120	2 - 5	11	0.82	3.4	4.5
1440734	CAS150MS	50 - 150	2 - 6	11	0.82	3.4	4.5
1440735	CAS175MS	50 - 175	2 - 7	11	0.82	3.4	4.5
1440736	CAS200MS	50 - 200	2 - 8	11	0.82	3.4	4.5
1440737	CAS225MS	50 - 225	2 - 9	11	0.82	3.4	4.5
1440738	CAS250MS	50 - 250	2 - 10	11	0.82	3.4	4.5
1440739	CAS275MS	50 - 275	2 - 11	11	0.82	3.4	4.5
1440740	CAS300MS	50 - 300	2 - 12	11	0.82	3.4	4.5
1440741	CAS330MS	50 - 330	2 - 13	11	0.82	3.4	4.5
1440742	CAS355MS	50 - 355	2 - 14	11	0.82	3.4	4.5
1440743	CAS380MS	50 - 380	2 - 15	11	0.82	3.4	4.5
1440744	CAS405MS	50 - 405	2 - 16	11	0.82	3.4	4.5
1440745	CAS455MS	50 - 455	2 - 18	11	0.82	3.4	4.5
1440747	CAS505MS	50 - 505	2 - 20	11	0.82	3.4	4.5
1440748	CAS555MS	50 - 555	2 - 22	11	0.82	3.4	4.5
1440749	CAS605MS	50 - 605	2 - 24	11	0.82	3.4	4.5
1440750	CAS710MS	50 - 710	2 - 28	11	0.82	3.4	4.5
1440751	CAS810MS	50 - 810	2 - 32	11	0.82	3.4	4.5
1440752	CAS910MS	50 - 910	2 - 36	11	0.82	3.4	4.5
1440753	CAS965MS	50 - 965	2 - 38	11	0.82	3.4	4.5

Section 2 Composition/Information on Ingredients

Composition/Information on constituents zinc coated iron alloy

Carbon	< 0.12%
Silicon	< 0.3%
Manganese	< 1.66%
Phosphorus	< 0.02%
Sulphur	< 0.004%
Chromium	< 0.5%
Aluminium	> 0.02%
Zinc coat, Coating weight	< 275/m ²
Coating composition:	
Zinc	> 99.6% by wt
Aluminium	< 0.4% by wt
Trace elements*	< 0.003% by wt

*Sum of Pb and Cd

Section 3 First Aid Measures

Inhalation:	There are no specific symptoms associated with steel in the product forms.
Skin:	There are no specific symptoms associated with steel in the product forms.
Eyes:	Not applicable.
Ingestion:	Not applicable.

Section 4 Fire Fighting Measures

Non flammable

Section 5 Handling and Storage

Store in a dry area

Section 6 Physical and Chemical Properties

Colour:	Metallic grey/silver
Smell:	None
Form/state:	Solid
Melting point:	1425 °C - 1540 °C
Max service temp:	426 °C
Min service temp:	-45 °C
Magnetism:	1500-2000 μ
Resistance:	17.2 μΩ
Density:	7.83 g/cm ³

Section 7 Stability and Reactivity

Stability:	Stable in normal condition
Reacts with:	Reacts with strong acids, and hydrogen is then one of the substances emitted. Welding/flame cutting may produce Zinc Oxide fumes.
Corrosion Resistance:	NSS (Neutral Salt Spray tests) 240hours

Section 8 Toxicological Information

Not applicable to steel in the product forms.

Section 9 Ecological Information

No ecological effects are known for the product as a whole.

Section 10 Disposal Considerations

Disposal method: Recyclable, Jubilee® clips' Quick Release Straps 11mm Zinc Plated Mild Steel Range are made from key raw material for the production of new steel. Steel is the world's most recycled construction material and can be recycled with retained material properties.

Section 11 Transport Information

No special requirements are necessary in transporting these products.

Section 12 Regulatory Information

This product conforms to EU Regulation 1097/2006 (REACH)
This product is compliant with EU directive 2011/65/EU (ROHS2)
BS EN ISO 9001:2008 FM00547
BS EN ISO 14001:2004 EMS573195
BS OHSAS 18001:2007 OHS601983

Section 13 Other Information

The information above is believed to be accurate and represents the best information currently available to L. Robinson & Co Ltd. However, L. Robinson & Co Ltd make no warranty of merchantability or any other warranty, expressed or implied, with respect to such information, and we assume no liability resulting from its use. Users should make their own investigations to determine the suitability of the information for their particular purposes. In no event shall L. Robinson & Co Ltd be liable for any claims, losses, or damages of any third party or for lost profits or any special, indirect, incidental, consequential or exemplary damages, howsoever arising, even if L. Robinson & Co Ltd has been advised of the possibility of such damages.

Document Issue Date: 19th July 2017

Revision Number: 1