

**TITLE :** DIP to PLCC PLUGS W944 28 PIN DIP to 32 PIN PLCC RS 158-2761

**DIM.**  
AS SHOWN

**Specification and materials:**

Plug body:-G.F.Polyester

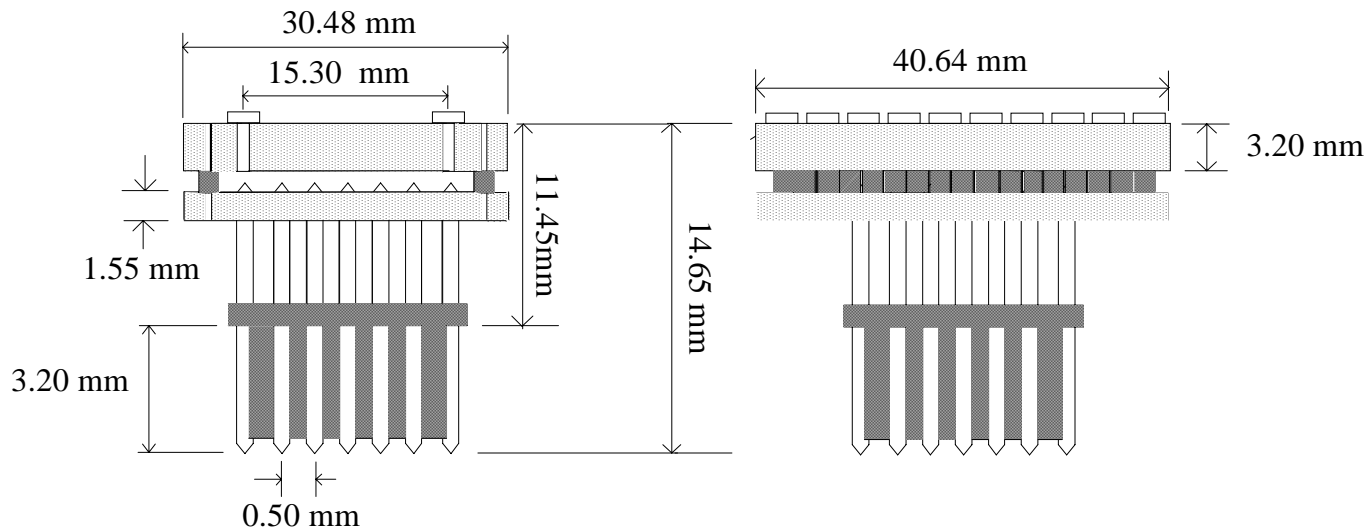
PCB:-FR4

Pins:-Gold plated brass

Contacts(inner)-BeCu gold plated

Contacts(outer)-Tin plated brass

Temperature rating +105°C



PLCC	DIP
1	NC
2	1
3	2
4	3
5	4
6	5
7	6
8	7
9	8
10	9
11	10
12	11
13	12
14	13
15	14
16	15
17	NC
18	16
19	17
20	18
21	19
22	20
23	21
24	22
25	23
26	24
27	25
28	26
29	27
30	28

**TOL.**

0 +/- 1  
0.0 +/- 0.1  
0.00 +/- 0.01  
0.000 +/- 0.001

**DWN. S D**

**DATE.** 8/7/97

**SCALE.**  
NTS

**ISSUE.**  
RS 01

**MODIFICATIONS.**

NONE

**WINSLOW INTERNATIONAL Ltd.**

ADAPTICS HOUSE, BRECON ENTERPRISE PARK.  
BRECON. POWYS. LD3 8EF.

Tel : 0044 (0)1874 625555 Fax : 0044 (0)1874 625500

Email : SALES @ winslow.co.uk Web : <http://www.winslow.co.uk>

**DEVICES.** 27C64 thru 512

for details of suitable devices please contact factory.