

THIS DRAWING IS UNPUBLISHED.

RELEASED FOR PUBLICATION

--

© COPYRIGHT - By -

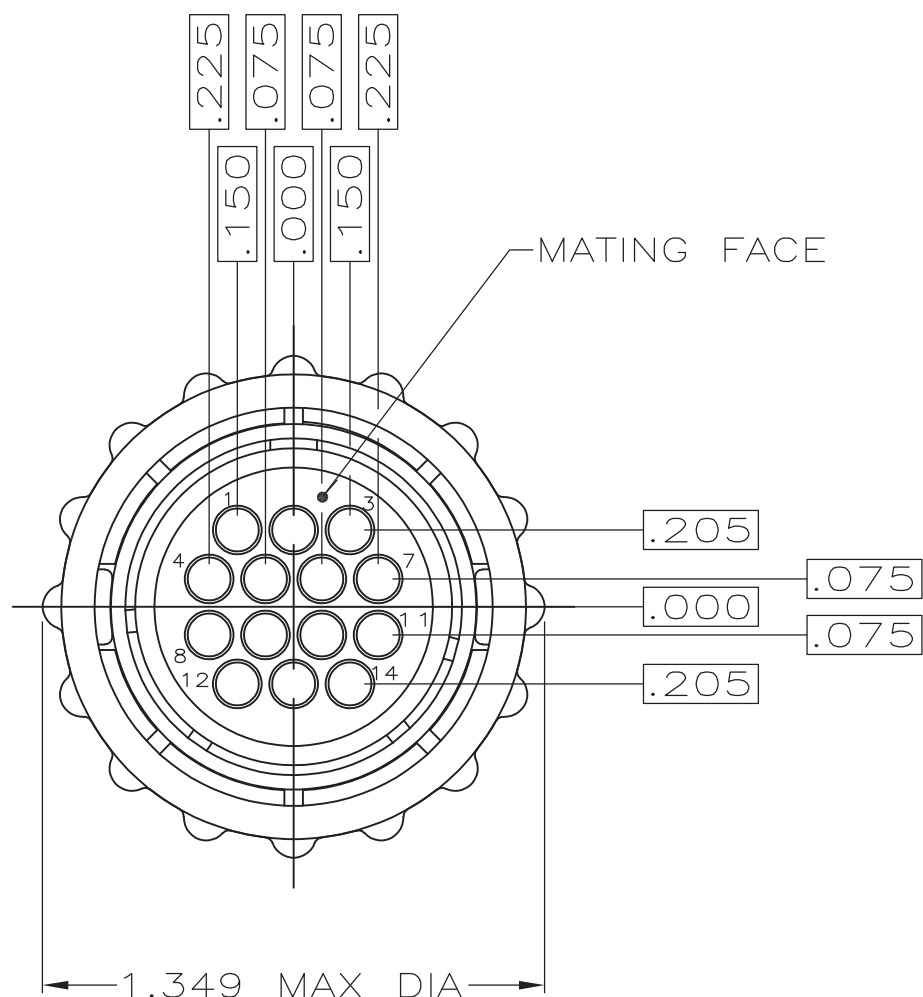
ALL RIGHTS RESERVED.

LOC  
FT

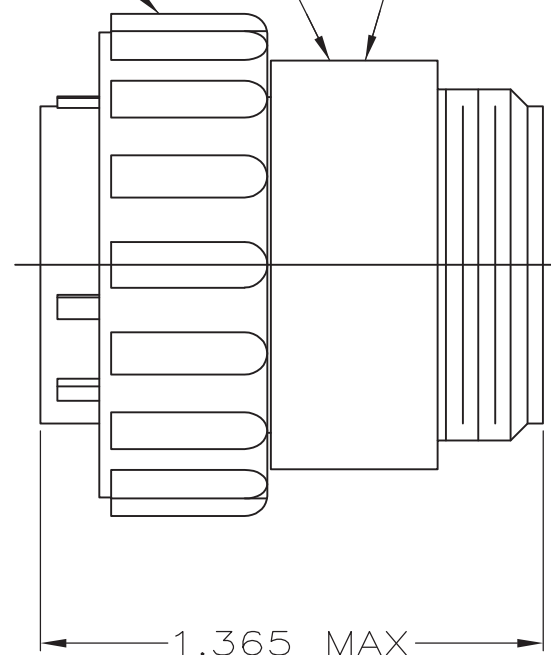
DIST  
4

REVISIONS

P	LTR	DESCRIPTION	DATE	DWN	APVD
G1		REVISED PER ECO-11-004587	11MAR11	RK	HMR




GLASS FILLED NYLON, 6/6, BLACK  
 POLYESTER, BLACK  
 AMP & PART NUMBER THIS DIA



206044-1  
 PART NUMBER

- CONTACT CAVITIES IDENTIFIED BY CHARACTERS ON FRONT AND REAR FACE OF CONNECTOR.
- WILL ACCEPT (14) MULTIMATE PIN CONTACTS.

THIS DRAWING IS A CONTROLLED DOCUMENT.		DWN S.RIDGLEY	7/31/90	 <b>TE Connectivity</b> PLUG ASSEMBLY, SHELL SIZE 17, REVERSE SEX, CPC											
DIMENSIONS: INCHES		CHK R.STONE	04/26/91												
TOLERANCES UNLESS OTHERWISE SPECIFIED:		APVD K.BEAVER	04/30/91												
<table border="0"> <tr><td>0 PLC</td><td>± -</td></tr> <tr><td>1 PLC</td><td>± -</td></tr> <tr><td>2 PLC</td><td>± -</td></tr> <tr><td>3 PLC</td><td>± -</td></tr> <tr><td>4 PLC</td><td>± -</td></tr> <tr><td>ANGLES</td><td>± -</td></tr> </table>		0 PLC	± -			1 PLC	± -	2 PLC	± -	3 PLC	± -	4 PLC	± -	ANGLES	± -
0 PLC	± -														
1 PLC	± -														
2 PLC	± -														
3 PLC	± -														
4 PLC	± -														
ANGLES	± -														
MATERIAL SEE CALLOUTS		FINISH -		PRODUCT SPEC -	APPLICATION SPEC -										
		WEIGHT -	SIZE A3	CAGE CODE 00779	DRAWING NO C-206044										
		CUSTOMER DRAWING		RESTRICTED TO -	SCALE 2:1										
				SHEET 1 OF 1	REV G1										