



Heat Shrink Tubing > SCL Heat Shrink Tubing



Tubing Product Type: **Heat Shrink Tubing**

Primary Product Color: **Black**

Wall Type: **Dual Wall**

Expanded Inside Diameter (Min): **4.74 mm [.187 in]**

Recovered Inside Diameter (Max): **1.52 mm [.06 in]**

[All SCL Heat Shrink Tubing \(59\)](#)

## Features

### Product Type Features

Tubing Product Type	Heat Shrink Tubing
Wall Type	Dual Wall

### Electrical Characteristics

Operating Voltage (Max)	.6 kV
-------------------------	-------

### Body Features

Fluid Type	Aviation Fuel, Brake Fluid, Hydraulic Fluid, Lubricating Oil, Water
Primary Product Color	Black
Shrink Ratio	3:1
Primary Product Material	Irradiated Modified Polyolefin
Flexibility	Semi-Rigid

### Dimensions

Recovered Wall Thickness (Nominal)	1.09 mm[.043 in]
Product Length	1220 mm[48.03 in]
Recovered Wall Thickness (Tolerance)	.31 mm[.012 in]
Expanded Inside Diameter (Min)	4.74 mm[.187 in]



Recovered Inside Diameter (Max)	1.52 mm [.06 in]
Tubing Size Range	1.52 – 4.74 mm [.06 – .187 in]

### Usage Conditions

Resistance Properties	Immersion Protection, Moisture, Splash Protection
Shrink Temperature (Min)	125 °C
Tubing Flammability Type	Non-Flame-Retardant
Operating Temperature Range	-55 – 110 °C [-67 – 230 °F]
Recovery Temperature	135 °C

### Operation/Application

Mechanical Resistance	Abrasion, Fluids, Mechanical Damage, Strain Relief, Vibration
-----------------------	---

### Product Availability

Applicable Region	Global
-------------------	--------

### Packaging Features

Packaging Method	Bag & Box
------------------	-----------

### Other

Meets Low Outgassing Requirements	No
Product Source	Czech Republic

### Product Compliance

[For compliance documentation, visit the product page on TE.com>](#)

EU RoHS Directive 2011/65/EU	Compliant
EU ELV Directive 2000/53/EC	Compliant
China RoHS 2 Directive MIIT Order No 32, 2016	No Restricted Materials Above Threshold
EU REACH Regulation (EC) No. 1907/2006	Current ECHA Candidate List: JUNE 2025 (250) Candidate List Declared Against: JUNE 2025 (250) Does not contain REACH SVHC
Halogen Content	Low Halogen - Br, Cl, F < 900 ppm per homogenous material. Also BFR/CFR/PVC Free
Solder Process Capability	Not applicable for solder process capability



This information is provided based on reasonable inquiry of our suppliers and represents our current actual knowledge based on the information they provided. This information is subject to change. The part numbers that TE has identified as EU RoHS compliant have a maximum concentration of 0.1% by weight in homogenous materials for lead, hexavalent chromium, mercury, PBB, PBDE, DBP, BBP, DEHP, DIBP, and 0.01% for cadmium, or qualify for an exemption to these limits as defined in the Annexes of Directive 2011/65/EU (RoHS2). Finished electrical and electronic equipment products will be CE marked as required by Directive 2011/65/EU. Components may not be CE marked. Additionally, the part numbers that TE has identified as EU ELV compliant have a maximum concentration of 0.1% by weight in homogenous materials for lead, hexavalent chromium, and mercury, and 0.01% for cadmium, or qualify for an exemption to these limits as defined in the Annexes of Directive 2000/53/EC (ELV). Regarding the REACH Regulation, the information TE provides on SVHC in articles for this part number is based on the latest European Chemicals Agency (ECHA) 'Guidance on requirements for substances in articles' posted at this URL: <https://echa.europa.eu/guidance-documents/guidance-on-reach>

## Compatible Parts

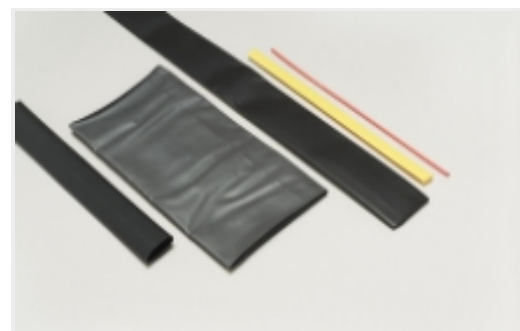


TE Part # EG1114-000  
CV1981-ST-230V1600W-EU

## Also in the Series | RAYCHEM SCL



Dual Wall Tubing(60)

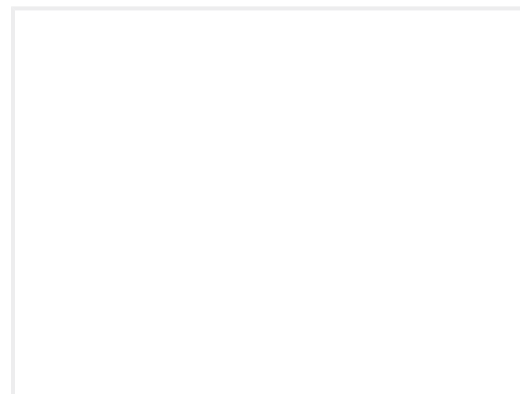


Heat Shrink Tubing(61)

## Customers Also Bought



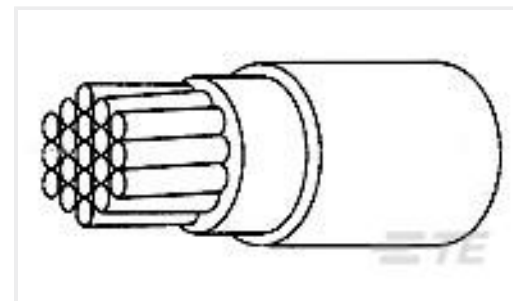
TE Part #0950443001  
VG-95218-T020-E069



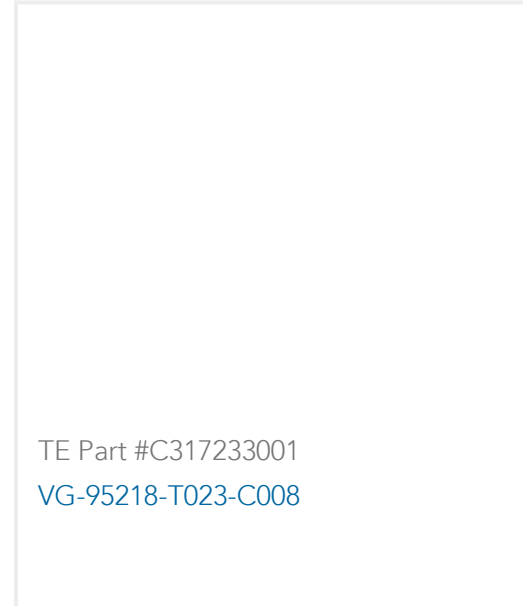
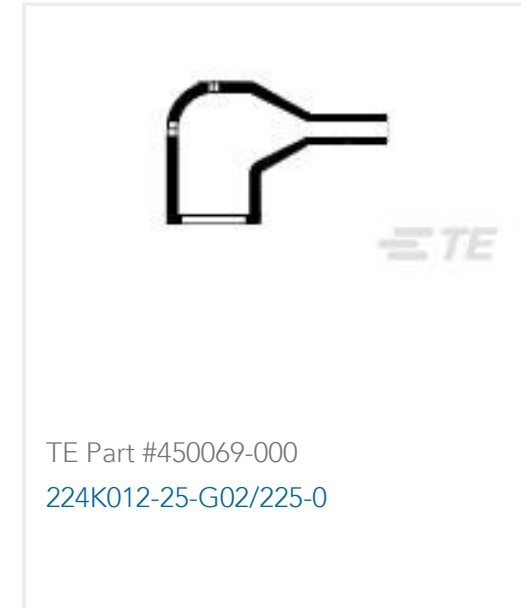
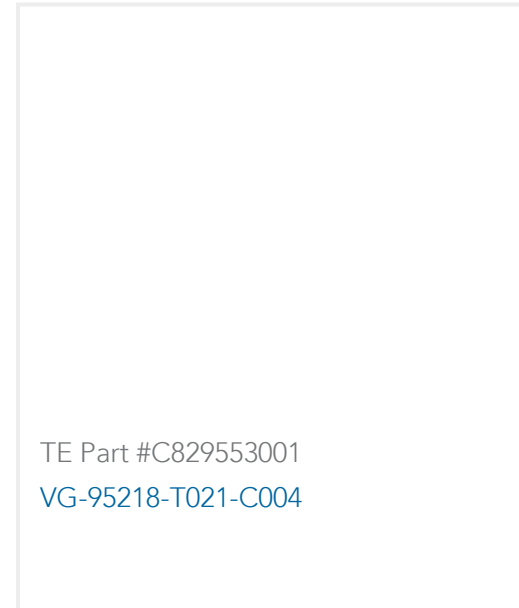
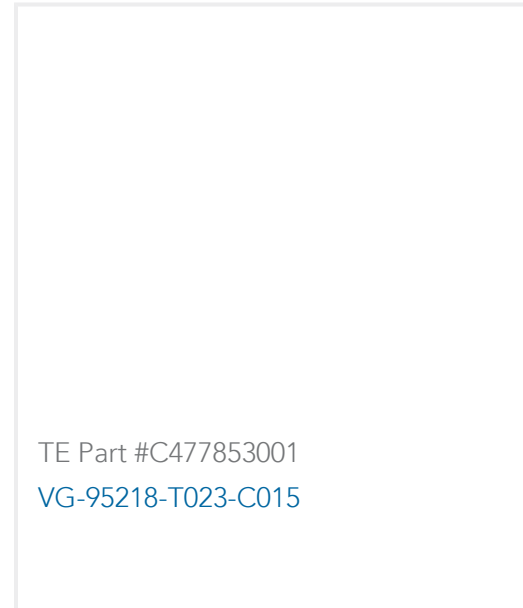
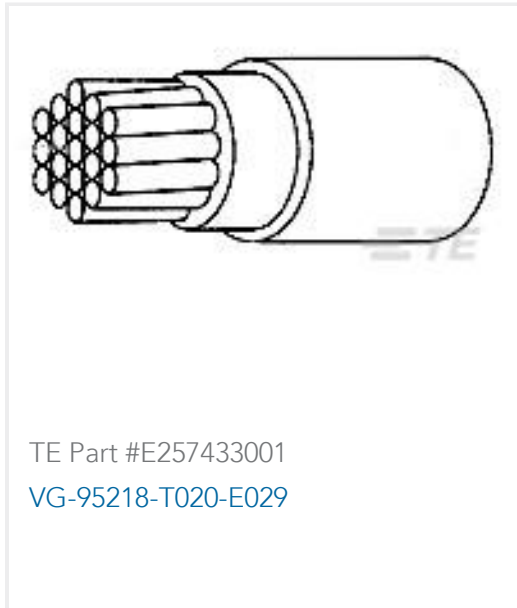
TE Part #CD45753001  
VG-95218-T021-C008



TE Part #346247-000  
CWT-5-S



TE Part #8767583001  
VG-95218-T020-E049



## Documents

### Product Drawings

[SCL-3/16-0-STK](#)

English

### Datasheets & Catalog Pages

[SCL Tubing](#)

English

### Product Specifications

[Quality Specification](#)

English