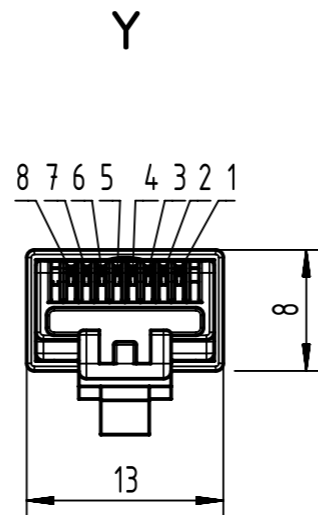
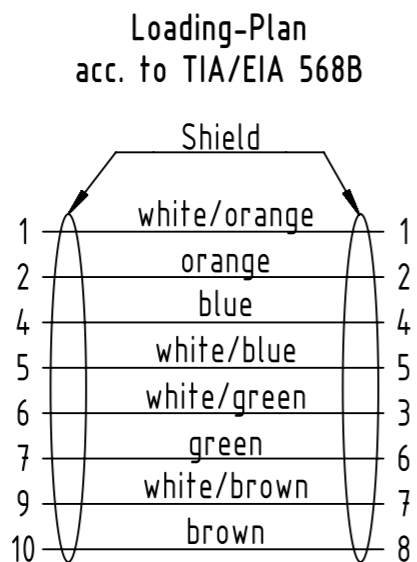
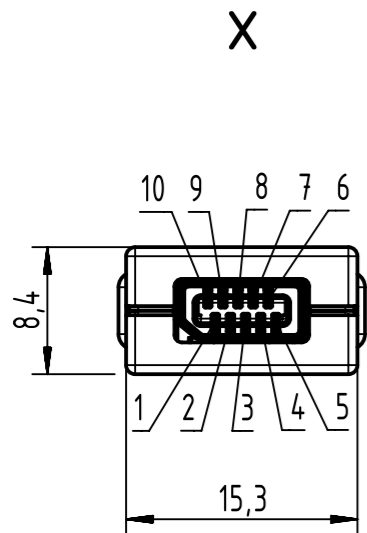
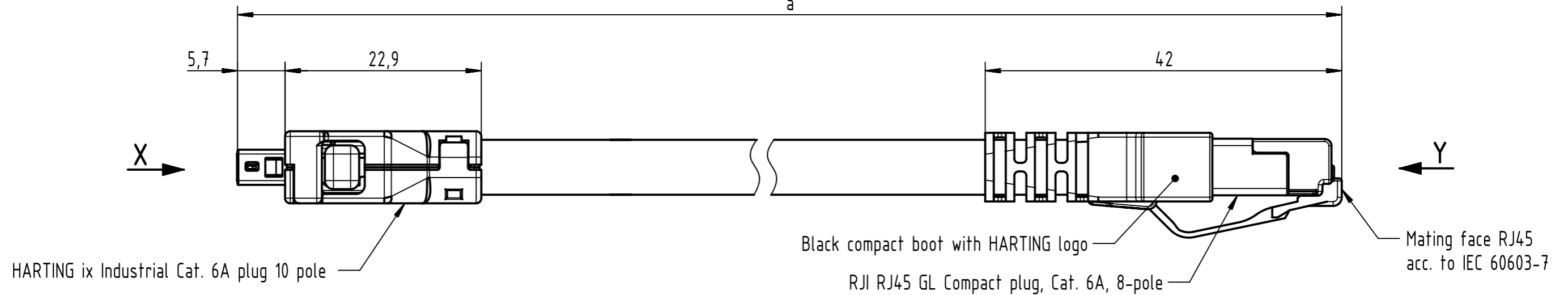


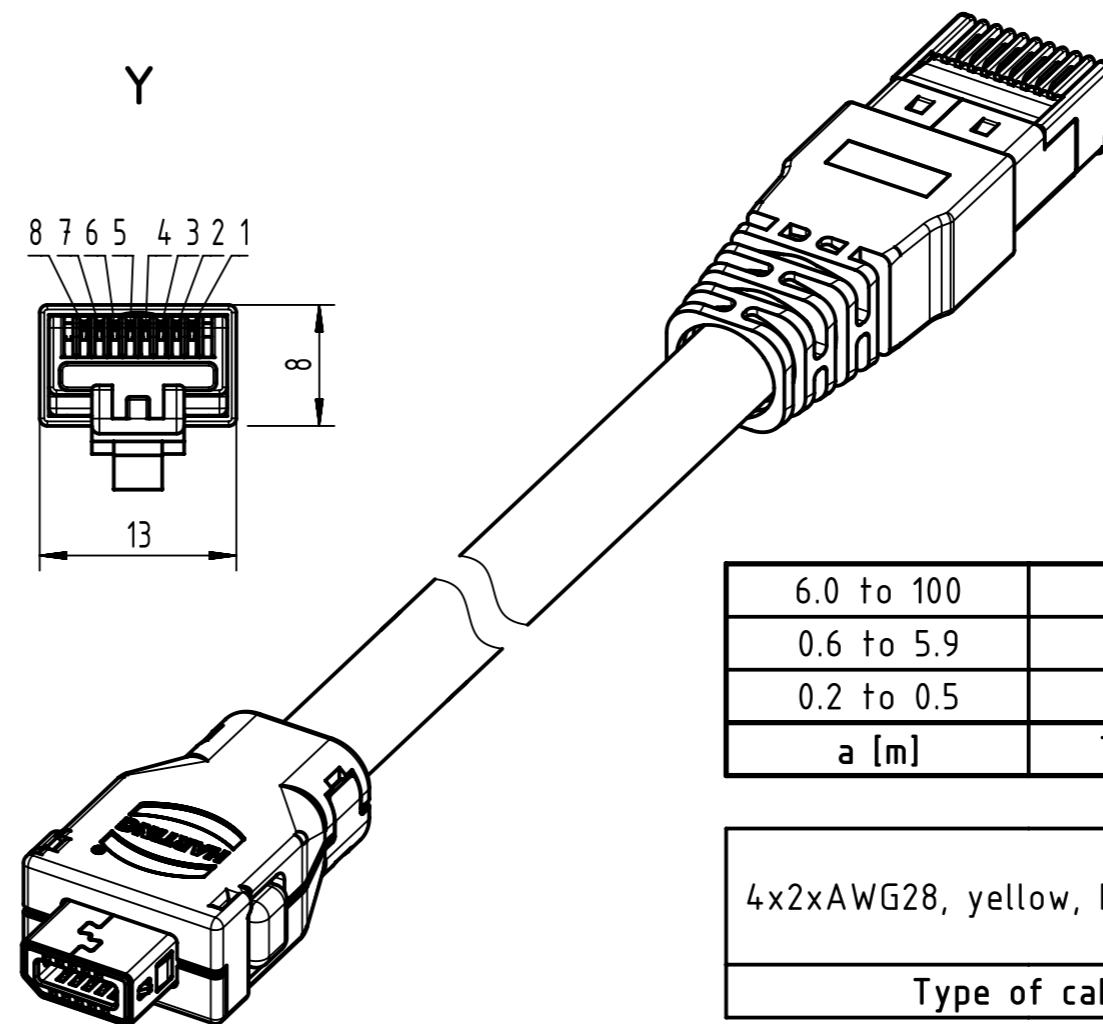
Connector Location A

Connector Location B



Contacts 3 and 8 are not connected

- Temperature range: -40°C...+80°C



6.0 to 100	±1%
0.6 to 5.9	+0.04
0.2 to 0.5	+0.02
a [m]	Tolerance

length in "1m" step	100	XXX=000
	99	XXX=990
	12	XXX=120
	11	XXX=110
length in "0.1m" step	10	XXX=100
	9.9	XXX=099
	9.8	XXX=098
	0.5	XXX=005
	0.4	XXX=004
	0.3	XXX=003
	0.2	XXX=002
Step	a [m]	XXX

4x2xAWG28, yellow, PVC, Cat. 6A	09482612749XXX
Type of cable	Part no.

	All rights reserved	Created by MUNTEANV	Inspected by POPESCU	Standardisation AVRAM	Date 2016-10-27	State Final Release	
	Department HCS - RO	Title RJ Industrial Cable Assembly				Doc-Key / ECM-Nr. 100695572/UGD/000/A 500000110784	
HARTING Customised Solutions D-32427 Minden		Type TB	Number 09482612749XXX			Rev. A	Page 1/1