

eSIGN PROFINET 15 Segments with Siren BK



Part No.:	657.600.56
Series:	eSIGN

**MECHANICAL DATA**

Height	372 mm
Diameter	72 mm
Materials	PC
Dome colour	Tranlucent
Housing colour	Black
Protection category	IP66 IP69K
Connection	M12 plug 4-Pole D-coded
Type of fixing	Base mounting Tube mounting
Working temperature minimum	-30°C
Working temperature maximum	+60°C
Weight with packaging	876 g
Product weight	809 g
IK-Code (IEC 62262)	IK08

ELECTRICAL DATA

Operating voltage	36-57V (PoE/PoE+)
Operating voltage type	DC
Operating voltage tolerance	+/- 0%
Rated operational voltage	48 VDC
Rated operational current	210 mA
Protection class	Protection class 3
Pollution degree	3
Overvoltage category	I
insulation voltage	Ui = 50V / Uimp = 330V
connectivity	PROFINET

OPTICAL DATA

Light source	LED
Light colour	MC >1.000.000 colours
Optical signal image	multi function
Blink frequency	Configurable
Service life optical	50,000 h maximum

ACOUSTIC DATA

Volume (max) at 1m distance	105 dB
Acoustic signal image	Multi-tone
Number of tones	10 tone
Volume adjustable	Software controlled



For additional installation and mounting information, refer to the appropriate user guide at www.werma.com. This printed copy is for information only and is subject to alteration.

eSIGN PROFINET 15 Segments with Siren BK

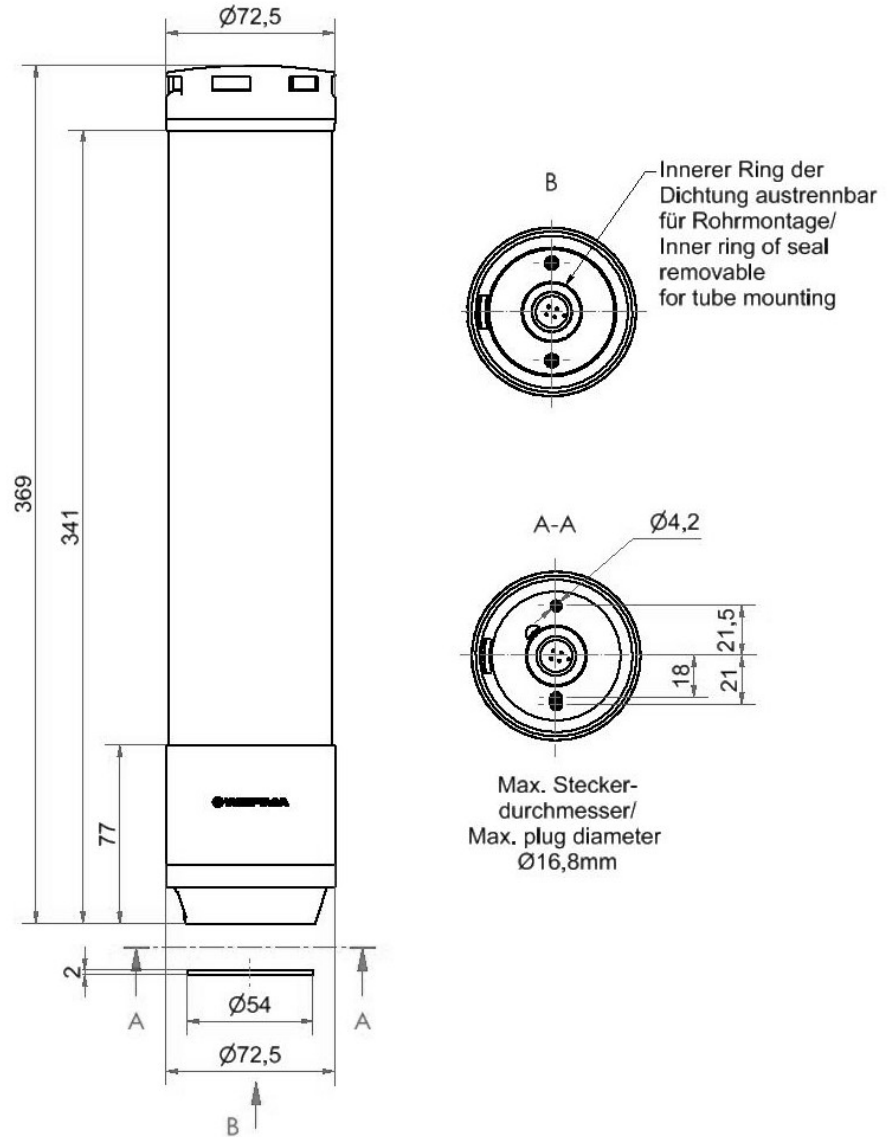
Acoustic service life	5,000 h maximum
APPROVAL DATA	
Conforms with CE	Yes
Conforms with RoHS directive	Yes
WEEE	Yes
Conforms with RED directive	No
Conforms with ATEX-directive	No
Conforms with CCC-Ex	No
Conforms with CCC	No
Conforms with UL	cULus
UL Type Rating	Type 4/4X/12/13
Conforms with FCC	No
Conforms with ISED	No
EAC certificate available	No
Conforms with UKCA (Importer)	Yes (WERMA (UK) Ltd.)
Conforms with CMIM	No
Conforms with AS-I	No
Conforms with DNV	No
Conforms with RoHS CN	10 years
Conforms with VdS	No



For additional installation and mounting information, refer to the appropriate user guide at www.werma.com. This printed copy is for information only and is subject to alteration.

eSIGN PROFINET 15 Segments with Siren BK

DRAWING



! For additional installation and mounting information, refer to the appropriate user guide at www.werma.com. This printed copy is for information only and is subject to alteration.