



ENGLISH

Datasheet

RSPR600 600W Thick Film Heatsink Resistor

Product details :

600 Watt power resistor suitable for multiple industries & applications including-

- Traction.
- Power Supplies.
- Control devices.
- Robotics.



Specifications :

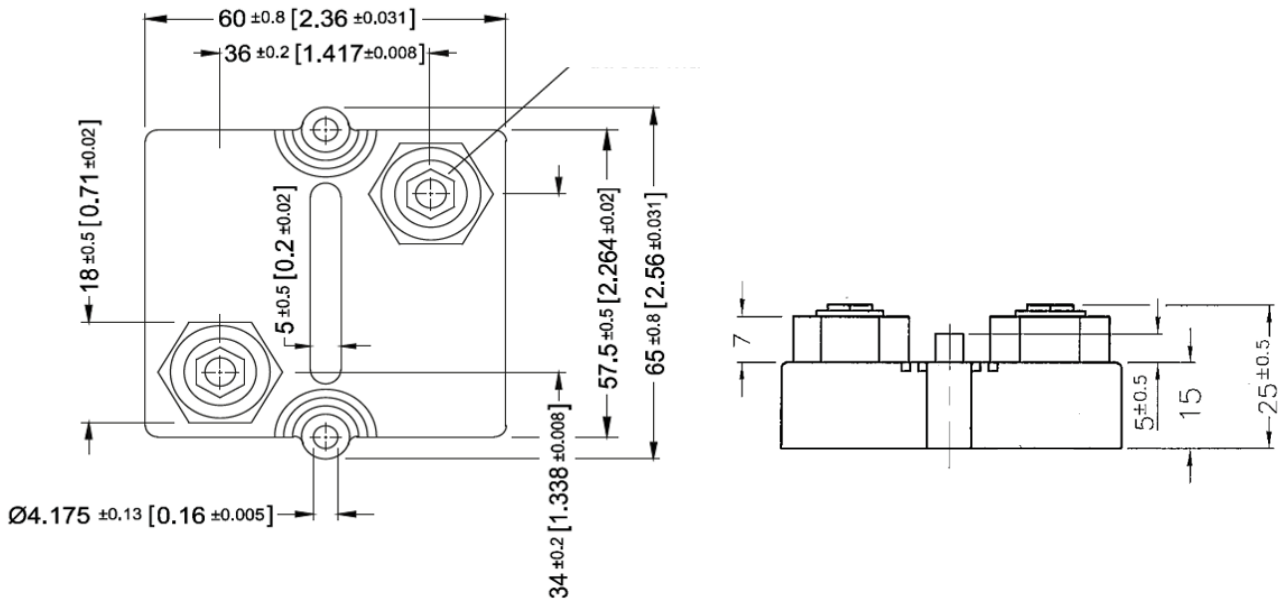
Power rating	600W at 70°C effective ambient	Partial discharge	4kV rms. <10pC
Resistance range	R5 to 1M	Voltage proof test	7kV rms.
Tolerance	± 10% (K) - ± 5% (J) Std	Typical inductance	<100nH measured at 100kHz
Temperature coefficient	± 100ppm / °C (25°C - 100°C)	Parallel capacitance	40pF
Maximum working voltage	5kV rms	Capacitance / mass	100pF
Working temperature range	-55°C to +150°C	Short term overload	1kW - 10 sec.
Dielectric strength	6kV/50Hz test time 10sec.	Thermal resistance	Rth 0.115°C/W
Creepage distance	40mm	Mounting screw / max. torque	M4, normal / 1.8Nm
		Contacts / max. torque	M5, normal / 2Nm

Test Specifications :

Short time overload	1,000W / 10 sec 0.4%
Humidity 56 days / 40°C / Steady state 95%	ΔR ±0.25%
Temperature -55 / +125 / 5 cycling cycles	ΔR ±0.20%
Shock 40g / 4,000 times	ΔR ±0.25%
Vibrations 2-500Hz / 10g	ΔR ±0.25%
Load life Ph 30 min. on / 1,000cyl 30 min. off	ΔR ±0.40%

Dimensions :

Dimensions in mm [inches]



Derating Curve :

