

# 34980A

## Data Acquisition System

---



## High-performance data acquisition system provides a low-cost, highly flexible measurement platform

If you use automated test equipment for design validation or manufacturing, you now have a cost-effective solution for many test system applications. The 34980A multifunction switch/measure unit provides functionality that is easy to set up and use, with a fast startup time. The 34980A helps you lower your cost of test and accelerate your test-system integration and development.

The 34980A handles system switching up to 26.5 GHz and provides basic measurements and system control. It also offers DMM measurements, counter/ totalizer functionality, digital I/O with pattern capabilities, and analog outputs with basic waveforms— all in one low-cost, compact box. And with its standard connectors and software drivers, computer-standard I/O, and Web browser interface, the 34980A easily integrates into electronic functional test and data acquisition systems.

### Flexible switching, measurements, and system control

The 34980A accommodates up to 8 plug-in modules to give you the flexibility you need. Choose from 21 different modules to define your own configuration. You can buy what you need now and add to it or reconfigure it as your requirements change.

Whether you are measuring temperature, AC or DC voltage, resistance, frequency, current, or custom measurements, the 34980A offers the functionality you need in a single box. Switch in different measurements with high-performance signal switching up to 300V with no external signal conditioning required. Choose between different switch types and topologies with frequency ranges from DC to 26.5 GHz. The 34980A offers high-density multiplexers for scanning multiple channels, matrices for connecting multiple points at one time, and general-purpose switches for simple control and high power needs.

Use the 34980A to route individual signals or monitor multiple signals over a specified period of time — monitor a single channel or multiple channels, set alarms, and identify irregularities.

The 34980A offers flexible choices for system control. You can control external devices such as microwave switches, attenuators, solenoids, and power relays. Or you can use the digital inputs to sense limit-switch and digital-bus status.

### Optimized for test systems

The 34980A has the performance you need for medium- to high-density switching/measurement applications such as design verification, functional test and data acquisition. Your signals are switched to the right measurement device without compromising signal integrity. Switch your signals to the optional internal DMM and achieve optimal throughput on switch closure time. Or, if you prefer, you can easily connect to external instruments such as DMMs, scopes, power supplies, and more. What's more, with the built-in Ethernet interface, you can control the 34980A and collect data from anywhere on the network. For a complete modular solution, use the 34980A together with PXI modular products when more capability is required.

The rugged instrument comes with a variety of system-ready features:

- Web browser interface shows settings at a glance and provides remote access and control when using a browser that supports Java applets.
- Self-guiding front panel to configure, troubleshoot or view data
- Low EMI and efficient system cooling

- Heavy-duty cabling and connection options
- Flexible rack mounting options
- Relay counters help predict end-of-life
- In-rack calibration for reduced maintenance time
- DMM measurement accuracies include the switch for simple calculations

Make system connections easily and quickly with simple, reliable connection options:

- Built-in Ethernet, USB 2.0, and GPIB connectivity
- Low-cost, standard 50- or 78-pin Dsub connectors and cables
- Detachable terminal blocks with strain relief
- Mass interconnect solutions

Keysight Technologies, Inc. IO Libraries Suite enables you to quickly establish an error-free connection between your PC and instruments—regardless of vendor. The IO Libraries provide robust instrument control and enables you to work with the software development environment you choose.

The 34980A provides four 2-wire internal analog buses for easy signal routing. You can route your measurements directly to the internal DMM, or you can connect to external instruments through the analog bus connector on the rear of the mainframe. And since you have four 2-wire buses, you can dedicate one bus for use with the internal DMM and use the other three buses for module extensions or additional signal routing between modules which can reduce wiring complexity.

You can define up to 500 switch sequences to control complex signal routing and the order of switch closures. Assign a sequence, give it a name and then execute it with the name you create. Switch sequences are downloaded and stored in the instrument for ease of programming and increased throughput.

External trigger capabilities make it easy for you to time and synchronize measurements, other events, and control when to begin or end an acquisition.

## Measurements you can trust

Get proven performance from Keysight instruments, with the resolution, repeatability, speed, and accuracy you've come to expect.

The 34980A offers built-in signal conditioning and modular flexibility. When you use it with the internal DMM, you can configure each channel independently for the measurements you choose. It includes a variety of features that give you confidence in your measurements:

- 6½ digits of resolution with .004% of accuracy with DC voltage measurements
- Alarms per channel—high limit, low limit, or both
- Math functions—use  $Mx+B$  for custom linear conversions and converting raw inputs
- Built-in thermocouple reference for temperature measurements (34921T)
- Time-stamped readings
- Add more formulas with BenchVue DAQ

The integrated DMM is mounted inside the mainframe and does not consume any of the eight user-available slots. You can access the DMM through any switch module that connects to the analog bus, or directly from the analog bus connector on the rear of the mainframe. The internal DMM gives you the flexibility to measure 11 types of inputs:

- Temperature with thermocouples, RTDs, or thermistors (with 34921A)
- DC and AC voltage
- 2- and 4-wire resistance
- Frequency and period
- DC and AC current

You can control the DMM directly or configure it to work in conjunction with the switches. Each switch channel can be configured independently for measurement functions, scale factors and alarm limits. Advanced measurement features such as offset compensation, variable integration time, and delay are also selectable on a per-channel basis.

The DMM inputs are shielded and optically isolated from the 34980A's earth-referenced circuitry and computer interface, and as a result, you get up to 300 V of input isolation. This is important for reducing ground-loops and common-mode voltage errors associated with long wiring runs and floating sources.

Simple DMM calibration is accomplished with just the analog bus connection on the rear panel of the mainframe. You don't need to remove the mainframe from the rack or dedicate a channel for calibration.

## Modules provide flexible system stimulus and control

System control—with analog outputs, open-collector digital outputs, clock generation, and isolated Form-C relays for controlling external devices. Additionally, with the microwave switch/attenuator driver, high-frequency switches and attenuators can be efficiently controlled external to the 34980A mainframe.

Analog sources—output either voltage or current. You can configure the 4-channel isolated D/A converter as a point-to-point arbitrary waveform generator that lets you define up to 500,000 points per waveform.

Digital patterns—send or receive digital data from your device under test. With onboard memory you can output communication protocols and bit streams or monitor digital input patterns and interrupt when a user-defined pattern is detected.

## Standard interfaces take the hassle out of connecting to your PC

Standard Ethernet, USB and GPIB interfaces are included in every mainframe. Use one of the built-in interfaces that is already available in your computer, or if you prefer, GPIB is still available.

- USB offers the quickest and easiest connection scheme—it's perfect for small systems and bench connections.
- Ethernet offers high-speed connections that allow for remote access and control. Choose a local area network to filter out unwanted LAN traffic and speed up the I/O throughput. Or take advantage of the remote capabilities and distribute your tests worldwide. Use the graphical Web browser to monitor, troubleshoot, or debug your application remotely.
- GPIB has many years of proven reliability for instrument communication and can be used in existing GPIB based test systems.

## Remote access and control

The built-in Web browser interface provides remote access and control of the instrument via a Java applet-enabled browser such as Internet Explorer version 11. Using the Web interface, you can set up, troubleshoot, and maintain your system remotely:

- View and modify instrument setup
- Open, close, or monitor switches
- Send SCPI commands
- Define and execute switch scans and switch sequences
- View error queue
- Get status reports on relay counts, firmware revisions, and more

Additionally, since the Web interface is built into the instrument, you can access it on any operating system that supports the Web browser without having to install any special software. Password protection and LAN lock out are also provided to limit access. The Web interface makes it easy to set up, troubleshoot and maintain your system remotely.

Work with your choice of software so you can save time and preserve your software and hardware investments. Program directly with SCPI, or use IVI or LabVIEW software drivers that provide compatibility with the most popular development environments and tools:

- Keysight VEE Pro
- National Instruments LabVIEW, LabWindows/CVI, TestStand, and Switch Executive
- Microsoft Visual Studio.NET, C/C++ and Visual Basic 6

## BenchVue data acquisition control and analysis

The BenchVue software platform enables you to easily connect to and control the 34980A using the BenchVue DAQ application. This application enables you to quickly configure channels, log data, and visualize measurements for 11 of the 21 plug-in modules. Simply identify the measurements you want to acquire, initiate the process and see the data displayed real-time. The rich set of colorful graphics provides many options for analyzing and displaying your data. You can specify multiple channels per graph or send collected data to multiple graphs. You can use strip charts with markers and alarm indication or histograms with statistics. And of course, you can use BenchVue to easily move data to other applications for further analysis, or for inclusion in your presentations and reports.



Figure 1: BenchVue DAQ

# Power and flexibility to get your job done



Intuitive front panel with self-guiding menus

See results on bright, multiline display

6 1/2 digit DMM measurements with 11 functions

Scan multiple channels, close specified channel list, or monitor results on a single channel

Use keypad to enter channel number or knob to scroll

Configure measurements by channel

Set up scan lists

Store up to 500,000 readings with timestamps

External trigger to synchronize events

8 module slots connect to optional internal DMM

Built-in Ethernet, USB 2.0, and GPIB interfaces



Access to four 2-wire analog buses

19 flexible, plug-in modules

Common connector types for use with optional terminal blocks, cables and connector kits

## Mix and match 34980A modules to create your own custom configuration

The 34980A mainframe holds up to eight plug-in modules. Mix and match them to create a custom system to meet your switching and system control needs. You can easily add or replace modules as your needs change.

Module	Description	Max volts	Switch/Carry current	BW (MHz)	Scan ch/sec	Thermal offset	Comments
<b>Multiplexer modules</b>							
34921A	40-channel armature multiplexer w/low thermal offset	± 300 V	1A/2A	45 MHz	100	< 3 µV	Temperature reference 4 current channels Config as 2- or 4-wire
34922A	70-channel armature multiplexer	± 300 V	1A/2A	25 MHz	100	< 3 µV	Config as 2- or 4-wire
34923A	40/80-channel reed multiplexer	± 150 V	0.5A/1.5A	45 MHz	500	< 50 µV	Config as 1-, 2- or 4-wire
34924A	70-channel reed multiplexer	± 150 V	0.5A/1.5A	25 MHz	500	< 50 µV	Config as 2- or 4-wire
34925A	40/80-channel optically isolated FET multiplexer	± 80 V	0.02A	1 MHz	1000	< 3 µV	Config as 1-, 2- or 4-wire
<b>Matrix modules</b>							
34931A	Dual 4x8 armature matrix	± 300 V	1A/2A	30 MHz	100	< 3 µV	Backplane expandable
34932A	Dual 4x16 armature matrix	± 300 V	1A/2A	30 MHz	100	< 3 µV	Backplane expandable
34933A	Dual/Quad 4x8 reed matrix	± 150 V	0.5A/1.5A	30 MHz	500	< 50 µV	Backplane expandable Config as 1- or 2-wire
34934A	Quad 4x32 reed matrix	± 100V	0.5A/0.5A	20MHz	500	< 50 µV	Row expansion kit. Config as 1- or 2-wire
<b>General-purpose modules</b>							
34937A	28-channel Form C and 4-channel Form A	± 300 V ± 250 VAC	1A/2A 5A	10 MHz	N/A	< 3 µV < 3 µV	
34938A	20-channel 5-amp Form A	± 250 VAC	5A/8A	1 MHz	N/A	< 3 µV	
34939A	64-channels Form A	± 100 V	1A/2A	10 MHz	N/A	< 3 µV	

Module	Description	Insertion loss	Isolation	Freq range	VSWR	Input impedance	Comments
<b>RF and microwave modules</b>							
34941A	Quad 1x4 50 ohm 3 GHz RF multiplexer	0.6 dB	> 58 dB	3 GHz	< 1.25	50 Ω	@ 1 GHz
34942A	Quad 1x4 75 ohm 1.5 GHz RF multiplexer	0.6 dB	> 60 dB	1.5 GHz	< 1.35	75 Ω	@ 1 GHz
34945A/ 34945EXT	Microwave switch/attenuator driver	Can drive up to 64 external switch coils; 32 SPDT switches, 8 multiport switches, 8 attenuators, or your own combination. Expand with additional 34945EXTs.					
34946A	Dual 1x2 SPDT terminated microwave switch	< 0.42 dB < 0.69 dB < 0.8 dB	> 85 dB > 67 dB > 60 dB	4 GHz or 20 GHz 26.5 GHz	< 1.15 < 1.30 < 1.6	50 Ω	@ 4 GHz @ 20 GHz @ 26.5 GHz
34947A	Triple 1x2 SPDT unterminated microwave switch	< 0.42 dB < 0.69 dB < 0.8 dB	> 85 dB < 0.69 dB < 0.8 dB	4 GHz or 20 GHz 26.5 GHz	< 1.15 < 1.30 < 1.6	50 Ω	@ 4 GHz @ 20 GHz @ 26.5 GHz

Module	Description	Comment
<b>System control modules</b>		
34950A	64-bit digital I/O with memory and counter	Eight 8-bit digital I/O channels with programmable polarity, thresholds up to 5 V, with handshaking protocols and pattern memory. Two 10 MHz frequency counter and programmable clock output to 20 MHz.
34951A	4-channel isolated D/A converter with waveform memory	Output DC voltage up to ± 16 V or DC current up to ± 20 mA. Output waveforms with a 200 kHz update rate and 16 bits of resolution. Use on-board memory to create point-to-point waveforms with more than 500,000 points.
34952A	Multifunction module with 32-bit DIO, 2-ch D/A and totalizer	Four 8-bit digital I/O channels, two ± 12-V analog outputs, and a 100 kHz gated totalizer.
34959A	Breadboard module	Create your own custom designs with access to the +12 V and +5 V supplies, 16 GPIO ports and 28 relay drive lines

## 34980A multiplexer switch modules

The 34980A multiplexer modules can be used to connect one of many different points to a single point. You can connect to an external instrument or scan multiple analog signals to the internal DMM.

Choose from the following features:

- 1-wire, 2-wire, or 4-wire configurations
- High voltage—up to 300 V, 1 A
- High density—70 2-wire or 80 1-wire channels
- Scan up to 1000ch/sec with the 34925A
- Bandwidths up to 45 MHz
- Temperature measurements with built-in thermocouple reference junction (34921T)
- AC or DC current measurements without external shunts
- Flexible connections via standard 50- or 78- pin Dsub cables or detachable terminal blocks

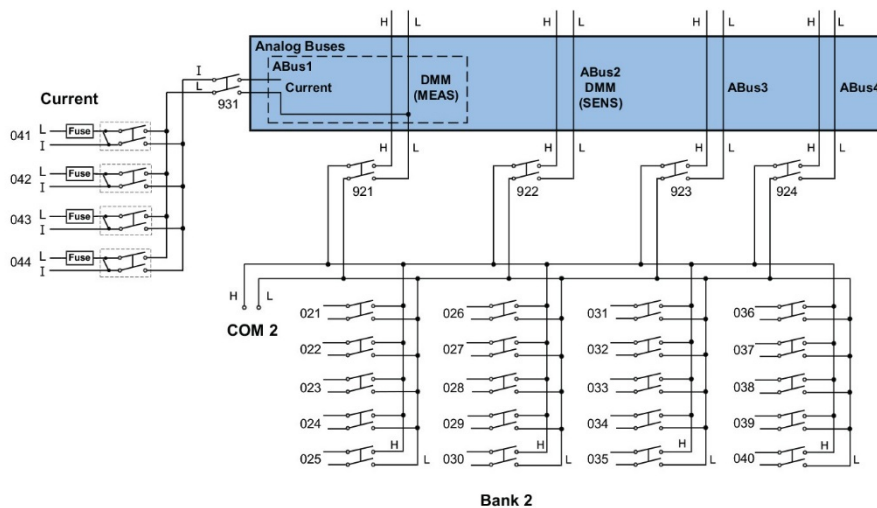


Figure 2: 34921A 40-channel armature multiplexer with low thermal offset (bank 2)

	Voltage AC/DC	Current AC/DC	Freq/ Period	$\Omega$ 2- Wire	$\Omega$ 4- Wire	Thermo- couple	RTD 2-Wire	RTD 4-Wire	Thermistor
34921A Armature Multiplexer	Yes	Yes	Yes	Yes	Yes	Yes	Yes	Yes	Yes
34922A Armature Multiplexer	Yes	No	Yes	Yes	Yes	Yes	Yes	Yes	Yes
34923A Reed Multiplexer (2-wire)	Yes	No	Yes	Yes	Yes	Yes	Yes	Yes	Yes
34923A Reed Multiplexer (1-wire)	Yes	No	Yes	Yes	No	Yes	Yes	No	Yes
34924A Reed Multiplexer	Yes	No	Yes	Yes	Yes	Yes	Yes	Yes	Yes
34925A FET Multiplexer (2-wire)	Yes	No	Yes	Yes	Yes	Yes	No	Yes	No
34925A FET Multiplexer (1-wire)	Yes	No	Yes	Yes	No	Yes	No	No	No

**NOTE:** See User's Guide for additional information.

Multiple multiplexers can connect to the built-in analog buses, allowing you to scan up to 560 2-wire channels or 640 1-wire channels in a single mainframe. The 34921A also offers 4 channels for directly measuring current. Or if you need more current channels, shunts can be added to the terminal block for easy current measurements.

The multiplexer modules feature break-before-make connections to ensure that no two signals are connected to each other during a scan. Or, if you prefer, you can control switching manually to create



your own switch configuration. All the multiplexer switches have a relay counter to help predict when relays need to be replaced.

**NOTE:** The 34923A and 34924A have 100 ohm input protection resistors that limit current and protect the reed relays.

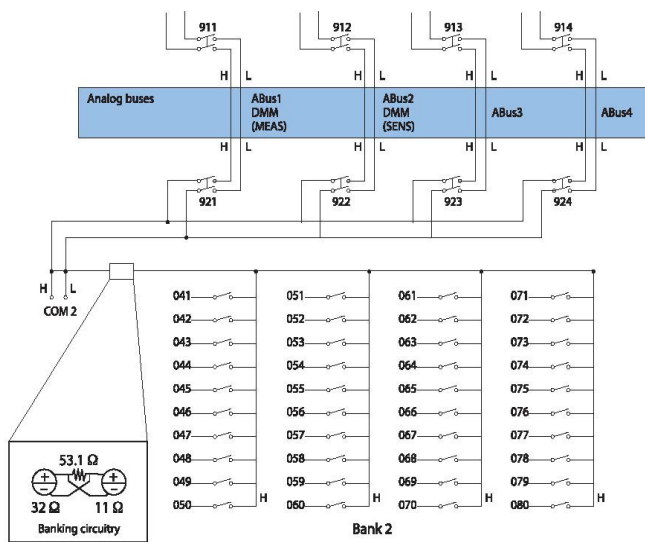


Figure 3: 34925A 40/80-channel optically isolated FET mux (shown in 1-wire mode)

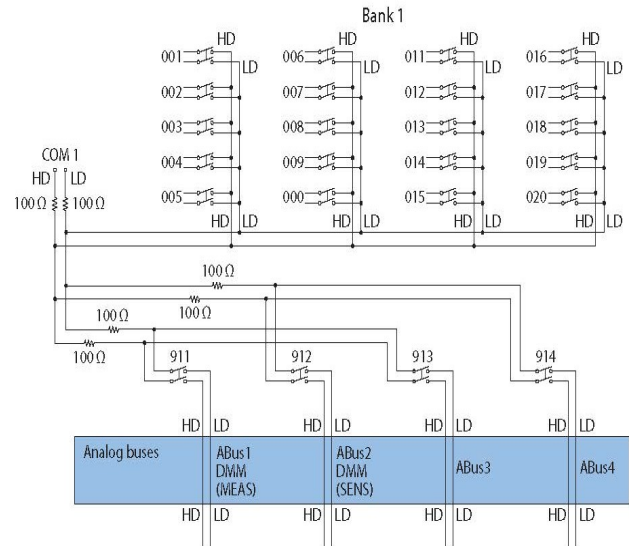


Figure 4: 34923A 40 channel reed multiplexer (bank 1 shown)

Multiplexer switch modules	34921A	34922A	34923A	34924A	34925A
Channels/configurations	40 2-wire 20 4-wire 4-current 1.5 A Fused	70 2-wire 35 4-wire	80 1-wire 40 2-wire 20 4-wire	70 2-wire 35 4-wire	80 1-wire 40 2-wire 20 4-wire
Switch type	Armature latching	Armature latching	Reed	Reed	Optically isolated FET
<b>Input characteristics (per channel)</b>					
Max volts	± 300 V <sup>1</sup>	± 300 V <sup>1</sup>	± 150 V peak <sup>2</sup>	± 150 V peak <sup>2</sup>	± 80 V peak <sup>2</sup>
Max current (DC, AC RMS)	1 A	1 A	0.5 A <sup>5/</sup> 0.05 A <sup>11</sup>	0.5 A <sup>5/</sup> 0.05 A <sup>11</sup>	0.02 A <sup>8</sup>
Switch current					
Carry current	2 A	2 A	1.5 A <sup>5/</sup> 0.05 A <sup>11</sup>	1.5 A <sup>5/</sup> 0.05 A <sup>11</sup>	
Power (W, VA) <sup>6</sup>	60 W	60 W	10 W	10 W	1.6 W
Volt-Hertz limit	108	108	108	108	107
Initial closed channel res 3, 12	< 1.5 Ω	< 1.5 Ω	< 1.5 Ω <sup>5/</sup> 200 <sup>11</sup> nominal	< 1.5 Ω <sup>5/</sup> 200 <sup>11</sup> Nominal	< 700 Ω
<b>General specifications</b>					
Offset voltage <sup>3</sup>	< 3 μV	< 3 μV	< 50 μV < 100 uV 1-wire	< 50 uV	< 3 μV
DC Isolation (ch-ch, ch-earth)	>10 GΩ	>10 GΩ	>10 GΩ >	10 GΩ	>10 GΩ
Leakage current <sup>3</sup>	N/A	N/A	N/A	N/A	20 nA <sup>9</sup>
T/C cold junction accuracy <sup>3, 10</sup>	< 1°C	N/A	N/A	N/A	N/A

AC characteristics					
Bandwidth at terminal block <sup>4</sup>	45 MHz	25 MHz	45 MHz <sup>5/4</sup> MHz 10 MHz 1-wire	25 MHz <sup>5/4</sup> MHz <sup>11</sup>	1 MHz
Crosstalk at terminal block (ch-ch) <sup>4</sup> 300 kHz	- 75 dB	- 75 dB	- 75 dB	- 75 dB	Not recommended for RF signal switching
1 MHz 20 MHz 45 MHz	- 75 dB - 50 dB - 40 dB	- 75 dB - 50 dB	- 75 dB - 50 dB - 40 dB	- 70 dB - 45 dB	
Capacitance at terminal block HI-LO LO – earth	150 pF 150 pF	250 pF 200 pF	130 pF 120 pF	200 pF 170 pF	100 pF 300 pF (600 pF 1-wire)
General Characteristics					
Relay life, typical No load 10 V, 100 mA Rated load	100 M 10 M 100 k	100 M 10 M 100 k	1000 M 10 M 10 k	1000 M 10 M 10 k	Unlimited within banks Unlimited within banks Unlimited within banks
Scanning speeds <sup>7</sup>	100 ch/sec	100 ch/sec	500 ch/sec	500 ch/sec	1000 ch/sec
Open/ close time, typical	4 ms/4 ms	4 ms/4 ms	0.5 ms/0.5 ms	0.5 ms/0.5 ms	0.25 ms/0.25 ms
Analog bus backplane	Yes	Yes	Yes	Yes	Yes

- DC or AC RMS voltage, channel-to-channel or channel-to-earth
- Peak voltage, channel-to-channel or channel-to-earth
- Into analog bus. System errors are included in the internal DMM measurement accuracy specifications
- 50 Ω source, 50 Ω load, differential measurements verified with 4-port network analyzer (Sdd21)
- With input resistors bypassed. Bypassing resistors will reduce lifetime of relays. See the rated load relay life characteristics.
- Limited to 6 W of channel resistance power loss per module
- Speeds are for 2-wire ohms or DCV, 4 1/2 digits, delay 0, display off, autozero off, and within bank
- DC or peak AC current
- Ambient temperature < 30°C
- Includes 0.5°C temperature reference sensor and 0.5°C terminal block isothermal gradient error, measured under worst case loading of the mainframe; see User's Guide for information on supported external reference sensors
- With input protection resistors: 2 x 100 Ω ±5%; 0.5W; TC = ±200 ppm/°C. The series resistance of the 34923/24/25 limits the use of the 100 Ω range.
- Channel resistance is typically < 1.5 Ω but can go as high as 50 Ω when a channel is used in measurement applications with < 10 mA load current. Increased relay channel resistance for measurements with load currents below 10 mA can occur on cards that have been out of service or following relay inactivity for periods of greater than 1 week. Switching relays for 2K cycles prior to use may reduce the variation in channel resistance. Applies to the 34921A and 34922A. Keysight recommends the use of 4-wire Ohms for resistance measurements. For high accuracy voltage measurements, select the DMM input resistance setting of >10 G ohms to minimize the impact of relay contact resistance.

## 34980A matrix switch modules

The 34980A matrix modules are full crosspoint matrices that allow you to connect any row to any column. This is a convenient way to connect multiple test instruments to multiple points on a device under test.

Choose from the following features:

- Latching armature relays—300 V, 1 A
- High-speed reed relays—150 V, 0.5 A
- Configurable dual 4x8, dual 4x16 or quad 4x32 modules
- Single-wire configuration (34933A or 34934A)
- High density matrix with automatic surge protection and row disconnect for flexible measurements (34934A)
- Analog bus expandable rows to create larger matrices
- (34931A, 32A, 33A)
- Connections via standard 50 or 78-pin D-sub cables or detachable terminal block

Each cross-point in the matrix switch has two wires—a high and a low for the measurement. Or, if you prefer, the 34933A and 34934A can be configured as a single-wire matrix, increasing the number of channels.

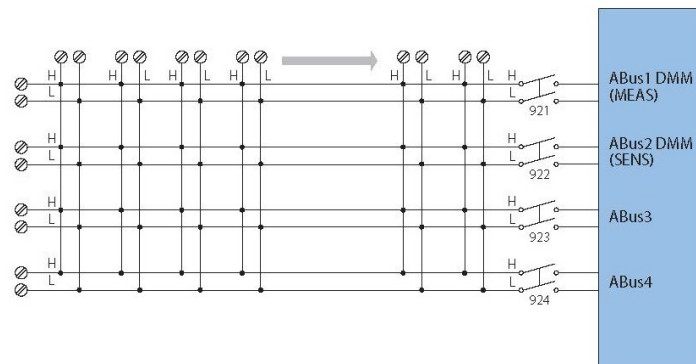


Figure 5. 34932A dual 4x16 armature matrix

The 34933A also has in-rush resistors on each column for added protection. The 34934A also has in-rush protection resistors, but also has an automatic bypass switch for flexibility in making low-level measurements. Row disconnect switches also reduce the capacitance loading when combining modules to create larger matrices.

Multiple matrix modules can be combined through the analog bus or the row expansion kit (34934A only) to create a larger matrix. The matrix can then be connected to the internal DMM for easy measurements.

Combine your matrix with a multiplexer switch to achieve the desired switching topology and get a lower-cost solution with better specifications. All the matrix switches include a relay counter to help predict when relays need to be replaced. Use the sequencing feature to easily change between different cross-point setups.

**NOTE:** The 34933A and 34934A have 100 ohm input protection resistors to limit current and protect the reed relays

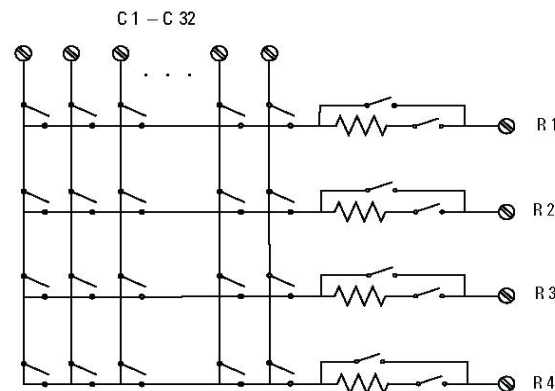


Figure 6: 34934A quad 4x32 matrix (1 of 4 matrices shown)

Matrix switch modules	34931A	34932A	34933A	34934A
Channels/configurations	dual 4x8 8x8 4x16	dual 4x16 8x16 4x32	dual 4x8 8x8 4x16 quad 4x8, 1-wire	quad 4x32 4x128 8x64 16x32
Switch type	Armature latching	Armature latching	Reed non-latching	Reed non-latching
<b>Input characteristics (per channel)</b>				
Max volts	± 300 V <sup>1</sup>	± 300 V <sup>1</sup>	± 150 V peak <sup>2</sup>	± 100 V peak
Max current (DC, AC RMS)				
Switch current	1 A	1 A	0.5 A <sup>5</sup> /0.05 A <sup>8</sup>	0.5 A
Carry current	2 A	2 A	1.5 A <sup>5</sup> /0.05 A <sup>8</sup>	0.5 A
Power (W, VA) <sup>2,6</sup>	60 W	60 W	10 W <sup>7</sup>	10 W
Volt-Hertz limit	108	108	108	108
Initial closed channel res <sup>3,9</sup>	< 1.5 Ω	< 1.5 Ω	< 1.5 Ω <sup>5</sup> /200 Ω <sup>8</sup> nominal	< 1Ω/100 Ω
<b>General Specifications</b>				
Offset voltage	< 3 uV	< 3 uV	< 50 uV < 100 uV 1-wire	< 20 uV < 50 uV 1-wire
DC Isolation (ch-ch, ch-earth)	> 10G Ω	> 10G Ω	> 10G Ω	10G Ω
<b>AC characteristics</b>				
Bandwidth at terminal block <sup>4</sup>	30 MHz	30 MHz	30 MHz <sup>5</sup> /4 MHz <sup>8</sup> 2 MHz 1-wire	35 MHz 2-wire 15 MHz 1-wire
<b>Crosstalk at terminal block (ch-ch)<sup>4</sup></b>				
300 kHz	-65 dB	-65 dB	-65 dB	-65 dB
1 MHz	-55 dB	-55 dB	-55 dB	-55 dB
20 MHz	-30 dB	-30 dB	-40 dB	-33 dB
<b>Capacitance at terminal block</b>				
HI-LO	50 pF	50 pF	80 pF	45 pF
LO – earth	80 pF	80 pF	75 pF	250 pF
<b>General characteristics</b>				
<b>Relay life, typical</b>				
No load	100 M	100 M	1000 M	1000 M operations
10 V, 100 mA	10 M	10 M	10 M	
Rated load	100 k	100 k	10 k	
Open/close time	4 ms/4 ms	4 ms/4 ms	0.5 ms/0.5 ms	0.35 ms/0.10 ms
Analog bus backplane connection	Bank 2	Bank 2	Bank 2	No

- DC or AC RMS voltage, channel-to-channel or channel-to-earth
- Peak voltage, channel-to-channel or channel-to-earth
- Into analog bus. System errors are included in the internal DMM measurement accuracy specifications
- 50 Ω source, 50 Ω load, differential measurements verified (Sdd21)
- With input resistors bypassed. Bypassing resistors will reduce lifetime of relays. See the rated load relay life characteristics.
- Limited to 6 W channel resistance power loss per module
- Power restrictions allow only 20 channels to be closed at one time
- Protection Resistors:
- 34933A - 100Ω ±5%; 0.5W; TC = ±200ppm/°C.
- 34934A - 100Ω ±1%; 0.25W; TC = ±100ppm/°C.
- If this resistance is not bypassed in the low side source line of a 4-wire resistance measurement, the 100 Ω range is limited.
- Channel resistance is typically < 1.5 Ω but can go as high as 50 Ω when a channel is used in measurement applications with < 10 mA load current. Increased relay channel resistance for measurements with load currents below 10 mA can occur on cards that have been out of service or following relay inactivity for periods of greater than 1 week. Switching relays for 2K cycles prior to use may reduce the variation in channel resistance. Applies to the 34931A and 34932A. Keysight recommends the use of 4-wire Ohms for resistance measurements. For high accuracy voltage measurements, select the DMM input resistance setting of > 10 G ohms to minimize the impact of relay contact resistance.

## 34980A general-purpose switch modules

The 34980A general-purpose switches can be used to route signals or to control other system devices. These switches are ideal for device actuation and switching loads or power supplies.

Choose from the following features:

- Form C channels up to 1 A, 50 W
- Form A channels up to 5 A, 150 W
- Armature latching relays
- Simultaneous channel switching
- Temperature sensor to detect overheating conditions
- Connections via standard 50 or 78-pin Dsub cables or detachable terminal block

The 34937A is the most versatile general purpose switch with 28 Form C channels that can switch up to 1 A of current. In addition, this module has four Form A channels that can switch up to 5 A of current. For power switching applications, the 34938A has 20 5-amp channels in a Form A topology. Each Form A general-purpose switch can handle up to 150 W, enough for many power line switching applications. For high density applications the 34939A offers 64 Form A channels for switching up to 1A and carry currents up to 2A.

The general purpose switches contain latching armature relays where multiple channels can be closed at the same time. Additionally, for switching reactive loads, the optional terminal blocks have pads for snubbing circuits.

The built-in relay counter helps predict when relays need to be replaced.

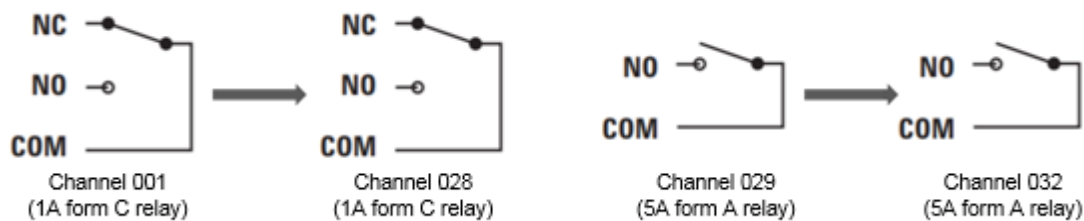


Figure 7:34937A 32-channel Form A / Form C

General purpose switch modules	34967A	34938A	34939A
Channels/configurations	28 Form C 4 Form A	20 Form A	64 Form A
Switch Type	Armature, latching	Armature, latching	Armature, latching
<b>Input characteristics (per channel)</b>			
Max volts (DC, AC RMS) <sup>1</sup>	Form C – 300 V Form A – 30 VDC/250 VAC	30 VDC/250 VAC	+/- 100 V peak
Max current (DC, AC RMS)	Form C – 1 A (2 A carry) Form A – 5 A switch (8 A carry)	5 A switch (8 A carry)	1 A switch (2 A carry)
Power (W, VA) <sup>2</sup>	Form C – 60 W Form A – 150 W	150 W	60 W
Volt-Hertz limit	10 <sup>8</sup>	10 <sup>8</sup>	10 <sup>8</sup>
<b>General specifications</b>			
Offset voltage	3μV	3μV	3μV
Initial closed channel resistance	Form C – 125 mΩ Form A – 50 mΩ	< 60 mΩ	<125 mΩ
CD isolation (ch-ch, ch-earth)	> 10 GΩ	> 10 GΩ	10 GΩ

AC characteristics			
Bandwidth at terminal block <sup>3</sup>	10 MHz	1 MHz	10 MHz
Channel isolation at terminal block <sup>3</sup>			
100 kHz			
1 MHz	55 dB	60 dB	45 dB
10 MHz	35 dB	40 dB	25 dB
	15 dB		5 dB
Capacitance at terminal block			
CH - CH	Form C 12pF, Form A	65 pF	20 pF
CH - earth	10pF	105 pF	70 pF
	Form C 21pF, Form A		
	18pF		
General characteristics			
Relay life no-load/rated	Form C – 100 M/100 k Form A – 50 M/30 k	50 M/30 k	>100 M/100 k
Open/close time	Form C – 4 ms/4 ms Form A – 10 ms/10ms	10 ms/10ms	4 ms/4ms
Initial/reset relay state	Form C- maintain state Form A – user configurable	User configurable	Maintain
Analog bus backplane connection	No	No	No

1. DC or AC RMS voltage, channel-to-channel or channel-to-earth

2. Limited to 6 W of channel resistance power loss per module

3. 50  $\Omega$  source, 50  $\Omega$  load, differential measurements verified (S21)

## 34980A RF and microwave switch modules

The 34980A offers a variety of RF and microwave switch modules—RF multiplexers, SPDT switching from DC to 26.5 GHz, or a switch/ attenuator driver module that allows you to control switches or attenuators external to the 34980A mainframe.

### 34941A/42A—from DC to 3 GHz

The RF switch modules can be used to switch signals from DC to 3 GHz and above. This can be useful for switching signals between oscilloscopes, spectrum analyzers, network analyzers, and other RF test equipment.

Choose from the following features:

- 50- or 75-ohm Quad 4-channel multiplexers
- DC to 3 GHz
- 30 V, 0.5 A, 10 W

The 34941A and 34942A are configured as four independent 1x4 RF multiplexers on a single module. Multiple banks can be connected together to create a larger multiplexer. To prevent ground loops, individual multiplexers are isolated from each other and from the mainframe's chassis. However, the multiplexer channels can be chassis grounded with a simple change. Both 50-ohm and 75-ohm versions are available.

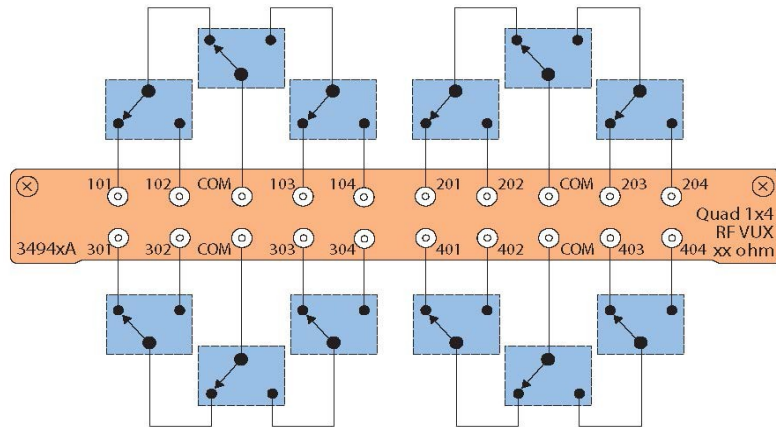


Figure 8: 34941A Quad 1x4 50 ohm 3 GHz multiplexer

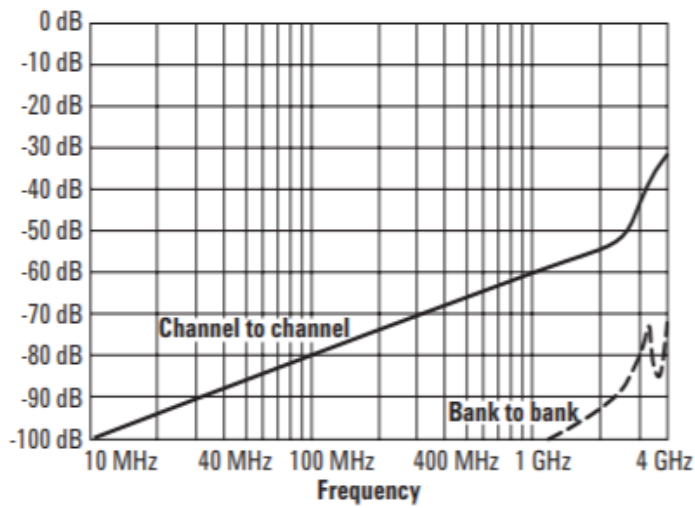


Figure 9: 34941A typical initial crosstalk

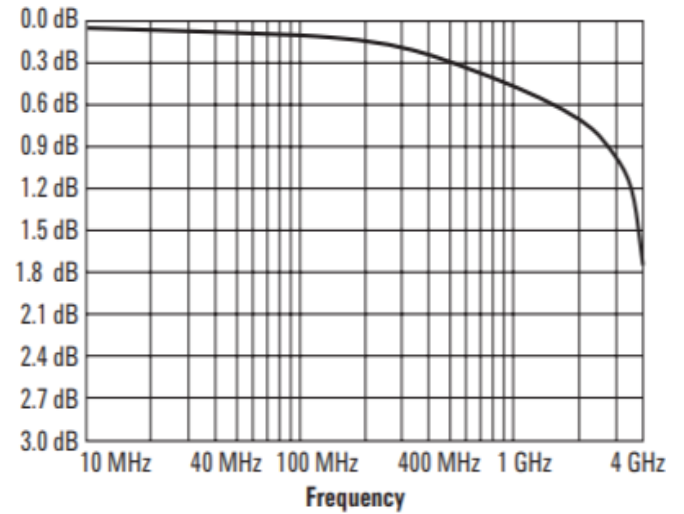


Figure 10: 34941A typical initial insertion loss

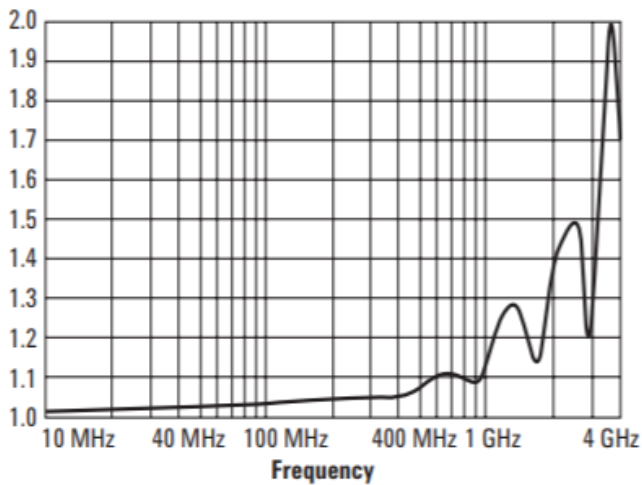


Figure 11: 34941A typical initial VSWR

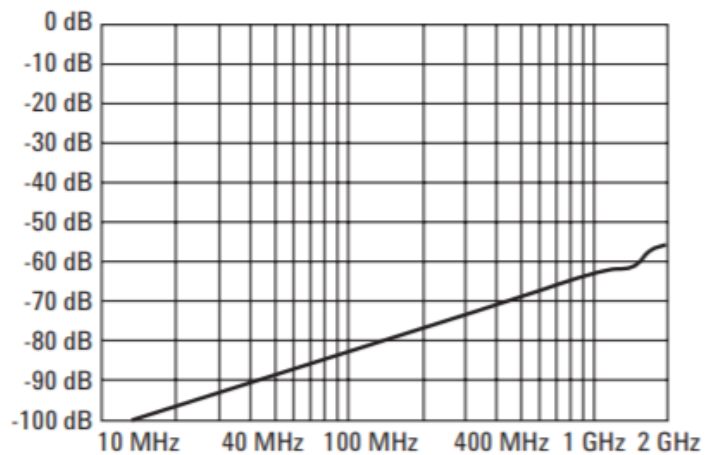


Figure 12: 34942A typical initial crosstalk

## 34946A/47A—from DC to 26.5 GHz

For applications where you need only a few high-frequency switches, the 34946A and 34947A offer single-pole, double-throw switches in either 4GHz, 20GHz or 26.5GHz options. These modules internally mount two or three independent Keysight N1810 series coaxial switches. These switches are well known for their excellent insertion loss, isolation and VSWR specifications.

Switch read back capabilities allow you to query the position of the switch. You can choose higher density with the unterminated switches or select the terminated switches to maintain impedance match.

### 34946A/47A option 001

These modules can also be ordered without switches installed. This give you the capability to install your own N1810 series switches or use the module to control the N1810 Series switches outside the mainframe.

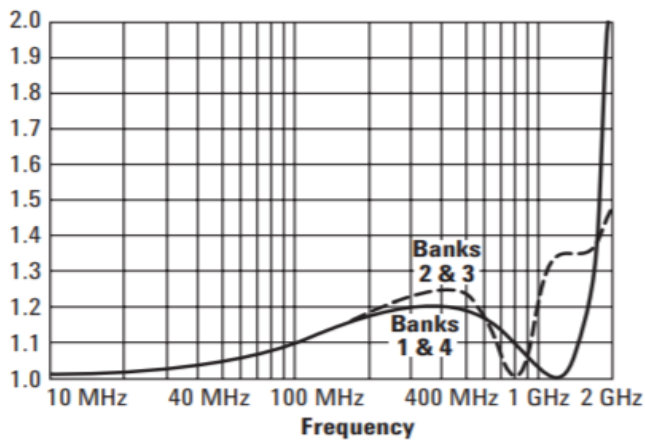


Figure 13: 34942A typical initial VSWR

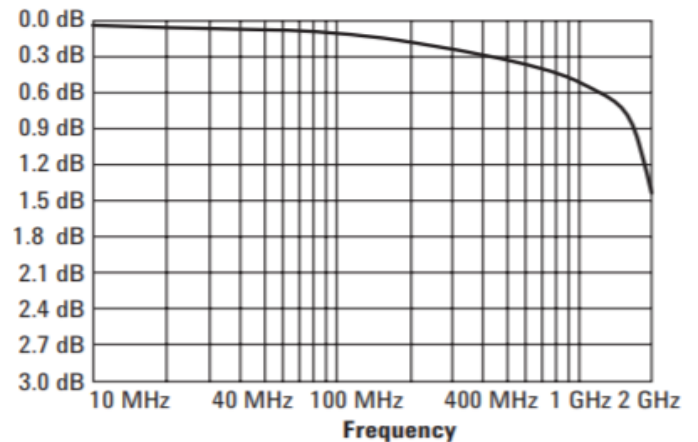


Figure 14: 34942 typical initial insertion loss

N1810 minimum required switch options	Option	Comment
Coil Voltage	option 124	24 VDC coil
DC Connector	option 201	D" subminiature 9 pin female
Drive	option 402	Position indicators

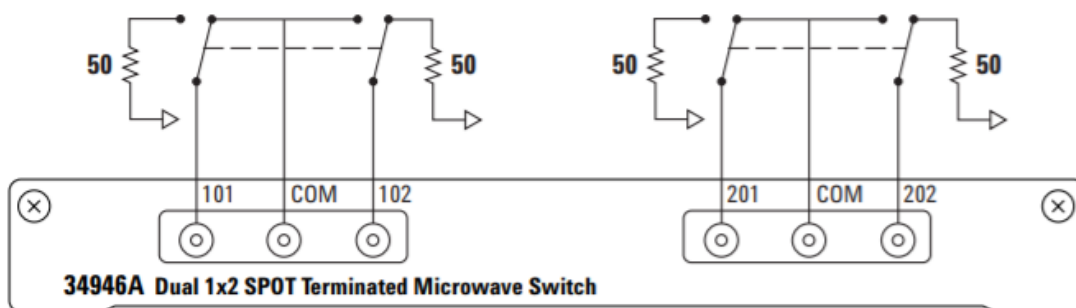


Figure 15: 34946A dual 1x2 SPDT terminated microwave switch



	DC to 3 GHz		DC to 26.5 GHz <sup>3</sup>	
	34941A	34942A	34946A	34947A
Channels	quad 1x4	quad 1x4	2 SPDT	3 SPDT
Switch Type	50 Ω unterminated, latching relays	75 Ω unterminated, latching relays	50 Ω terminated	50 Ω unterminated
<b>RF characteristics</b>				
Frequency range <sup>2</sup>	DC to 3 GHz	DC to 1.5 GHz	DC to 4 GHz, 20 GHz or 26.5 GHz	DC to 4 GHz, 20 GHz or 26.5 GHz
Insertion loss <sup>2</sup> <40C/80% RH)			DC to 4 GHz < 0.42 dB, @ 20GHz < 0.69 dB, @ 26.5GHz < 0.8 dB	DC to 4 GHz < 0.42 dB, @ 20GHz < 0.69 dB, @ 26.5GHz < 0.8 dB
100 MHz	0.15 dB	0.15 dB		
1 GHz	0.60 dB	0.60 dB		
3 GHz	1.40 dB	N/A		
VSWR			DC to 4 GHz < 1.15, @ 20 GHz < 1.30, @ 26.5GHz < 1.6	DC to 4 GHz < 1.15, @ 20 GHz < 1.30, @ 26.5GHz < 1.6
100 MHz	1.03	1.15		
1 GHz	1.25	1.35		
3 GHz	1.55	N/A		
Isolation (dB) <sup>2</sup>	Contact factory	Contact factory	DC to 4 GHz > 85 dB, @ 20 GHz > 67 dB, @ 26.5GHz > 60 dB	DC to 4 GHz > 85 dB, @ 20 GHz > 67 dB, @ 26.5GHz > 60 dB
100 MHz	80 dB	80 dB		
1 GHz	58 dB	60 dB		
3 GHz	40 dB	N/A		
Spurious noise below 1.3 GHz	-140 dBm	-140 dBm	80 dB	80 dB
Rise time	<80 ps	<160 ps	N/A	N/A
Signal delay	<1 ns	<1 ns	N/A	N/A
Capacitance	<30 pF	<30 pF	N/A	N/A
<b>Switching characteristics</b>				
Max volts <sup>1</sup>	30 V	30 V	7 VDC	7 VDC
Max current	0.5 A	0.5 A	N/A	N/A
Max power	10 W <sup>5</sup>	10 W <sup>5</sup>	1 W@7 VDC,50 W peak <sup>4</sup>	1 W@7 VDC,50 W peak <sup>4</sup>
Offset voltage	10 μV	10 μV	N/A	N/A
Initial channel resistance	1Ω	1Ω	N/A	N/A
Volt-Hertz limit	2 x 10 <sup>10</sup>	2 x 10 <sup>10</sup>		
<b>General characteristics</b>				
Relay life	300,000 at 30 V/10 mA load; 100,000 at 10 W load RF S <sub>A</sub> meas	300,000 at 30 V/10 mA load; 100,000 at 10 W load RF S <sub>A</sub> meas	>5 M cycles	>5 M cycles
Open/close time	18 ms/18 ms	18 ms/18 ms	<15 ms/15 ms	<15 ms/15 ms
Connector type	Female SMA	Mini 75Ω SMB	Female SMA	Female SMA
Coil voltage	N/A	N/A	24 VDC	24 VDC
Analog bus backplane connection	No	No	No	No

1. Channel-to-earth

2. 50 Ω source, 50 Ω load (75 Ω for 34942A)

3. For more detailed switch specifications, see the Keysight N1810TL, N1811TL, N1812UL for 34946A and N1810UL for the 34947A.

4. 10 usec maximum duration

5. Max power is 1 W between 30 MHz and 1 GHz for CISPR 11 compliance

## 34945A/34945EXT microwave switch/attenuator driver

This module allows you to control switches attenuators, and other devices external to the 34980A. The 34945A / 34945EXT provides the power and control signals for many of the most popular microwave switches and attenuators. One 34945A /34945EXT combination can drive up to 64 switch coils—that's 32 standard SPDT switches. The 34945A /EXT can be extended by adding additional 34945EXT boards. The first 34945EXT is powered by the mainframe. You can add up to seven additional 34945EXT boards with user supplied power. Multiple switch operations are performed in sequential order, or for faster, simultaneous switching, you can connect an external power supply to the 34945EXT.

The Y1150A-Y1155A distribution boards enable simple connections to the external switches. The distribution boards plug onto the 34945EXT and are used to route the power and control signals from the driver module to the switches using standard cables.

The 34945A /34945EXT also has sensing capabilities that allows read back of the actual position of the switch or attenuator. Drive signals for LED indicators are also provided to give a visual indication of the switch position.

The following microwave switches and attenuators are supported with the Y1150AY1155A distribution boards:

- N181x/U9397x series SPDT switches
- 8762/3/4 series SPDT switches (screw terminals)
- 8765x coaxial switches
- 8766x/8767x/8768x multiport switches
- 87104x/106x/L710xx/L720xx multiport switches
- 87406x series matrix switches
- 87204x/206x series multiport switches
- 87606x series matrix switches
- 87222x/L7222 transfer switches
- 849x and 8490x series attenuators
- Other switches and devices through individual screw terminal connections

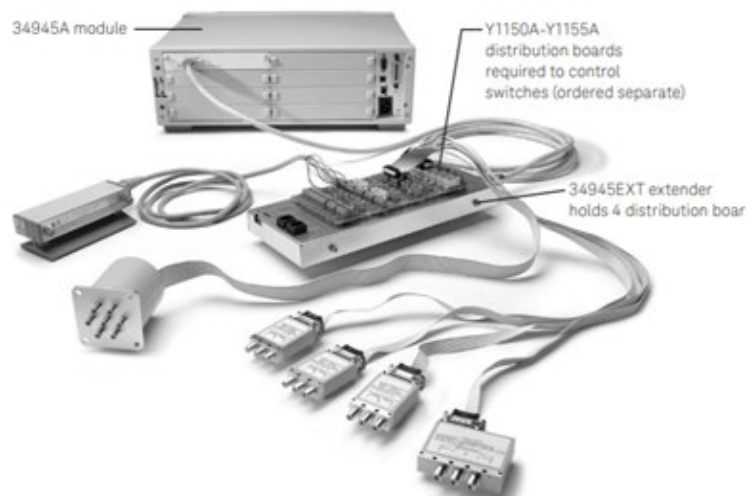


Figure 16: 34945A/34945EXT

**34945EXT switch drive (64 channels, low side drive mode)****General specifications**

Driver off voltage (max)	30 V
Driver off leakage current	500 $\mu$ A
Driver on current (max)	600 mA
Driver on voltage (max)	0.5 V @ 600 mA

**34945EXT switch drive (64 channels, TTL drive mode)**

Hi output voltage	3 V @ $I_{out} = 2$ mA
Lo output voltage	0.4 V @ $I_{in} = 20$ mA
Lo input Current	20 mA

**34945EXT position indicator sense inputs**

Channels	64
Lo input voltage (max)	0.8 V
Hi input voltage (min)	2.5 V
Input resistance	>100 k $\Omega$ @ $V_{in} \leq 5$ V >20 k $\Omega$ @ $V_{in} > 5$ V
Maximum input voltage	30 V

**34945EXT switch drive power supply (34945EXT powered by 34945A)**

Voltage	24 V nominal (external power supply required for switches needing more than 24 V)
Current	100 mA continuous + 200 mA (15 msec pulse, 25% duty cycle)

**34945EXT external power connection**

Voltage range	4.75 V to 30 V
Current limit	2 A

**LED indicator (Current mode drivers)**

Channels	64
Supply voltage	5 V nominal
LED drive current	5 mA nominal, (prog 1-20 mA)
Driver compliance voltage	0.8 V

**34945EXT dimensions**

11.2" x 4.5" x 1.5" high with distribution boards installed

Maximum of eight 34945EXT's per mainframe

Switch drive control also available in L4445A and L4490A/91A RF Switch Platform.

*NOTE:* See Configuration Guide, "34945A, L4445A, L4490A/L4491A" literature number 5989-2272EN, for configuration details.

## 34980A system control modules

### 34950A 64-bit digital I/O with memory and counter

This module can be used to simulate or detect digital patterns. It has eight 8-bit digital I/O channels with handshaking, pattern memory, two 10 MHz counters with gate functions, and a programmable clock output.

#### Digital input/output

The digital I/O bits are organized into two banks of 32-bits. The I/O bits can be configured and programmed as inputs or outputs in 8-bit channels. The digital outputs can be configured as active drive or open drain outputs with a 10 k $\Omega$  pull up. User supplied pull up resistors for up to 5 V outputs are also acceptable. The digital inputs have programmable thresholds up to 5 V for compatibility with most digital logic standards.

The onboard pattern memory can be used to select and output digital stimulus or bit- stream patterns, or to capture external digital data. Each bank has independent memory and directional control so that one bank can output data while the other captures data. The memory can be divided up to 64 Kbytes per 8-bit channel.

Specifically, the digital I/O channels also have:

- Variable active high drive output from 1.65 V to 5 V or open drain
- Variable input thresholds from 0 V to 5 V
- Configurable handshaking protocols including synchronous, and strobe
- Programmable polarity
- Source or sink up to 24 mA with a  $I_{max}$  of 400 mA per module.
- Internal alarming for maskable pattern match
- 1 hardware pattern interrupt per bank
- Connections via standard 78-pin Dsub cables or detachable terminal block

#### Frequency counter/totalizer

The two channels can be used to count digital events, frequency, period, duty cycle, totalize, and pulse width. The counter/ totalizer also includes:

- Programmable gate functionality
- Programmable input thresholds levels 0 V to 3 V

#### 34950A 64 bit I/O

##### Digital input/output characteristics

Number of channels	Eight 8 bit. Input or output, non-isolated
V <sub>in</sub>	0 V – 5V <sup>1</sup>
V <sub>out</sub>	1.65 V – 5 V <sup>1,2</sup>
I <sub>out</sub>	(max) 24 mA <sup>2</sup>
Frequency (max)	10 MHz <sup>3</sup>
I <sub>load</sub> (max)	400 mA
t <sub>rise</sub> + t <sub>fall</sub> (typ)	6 ns <sup>5</sup>

##### Handshake lines

V <sub>in</sub>	0 V – 5V
V <sub>out</sub>	1.65 V – 5 V <sup>2,4</sup>
I <sub>out</sub> (max)	24 mA <sup>2</sup>
Frequency (max)	10 MHz

Counter function characteristics	
Max frequency	10 MHz (max) 50% duty cycle
Vin	0 V to 5 V
Min rise/fall time	5 µsec
Totalizer function characteristics	
Maximum count	2 <sup>32</sup> -1 (4,294,967,296)
Maximum input frequency	10 MHz (max), rising or falling edge, programmable
Vin	0 V – 5 V
Gate input	0 V – 5 V
Maximum input frequency	5 µsec
System clock generator characteristics	
Frequency	20 MHz – 10 Hz, configurable divide by-n 24-bits, programmable on/off
Vout	1.65 V – 5 V <sup>2</sup>
Iout (max)	24mA <sup>2</sup>
Accuracy	100 ppm

1. Configurable by 8-bit channel
2. Lower current drive at lower voltages
3. From memory with handshaking
4. Configurable by bank
5. 5V, 50 pF load

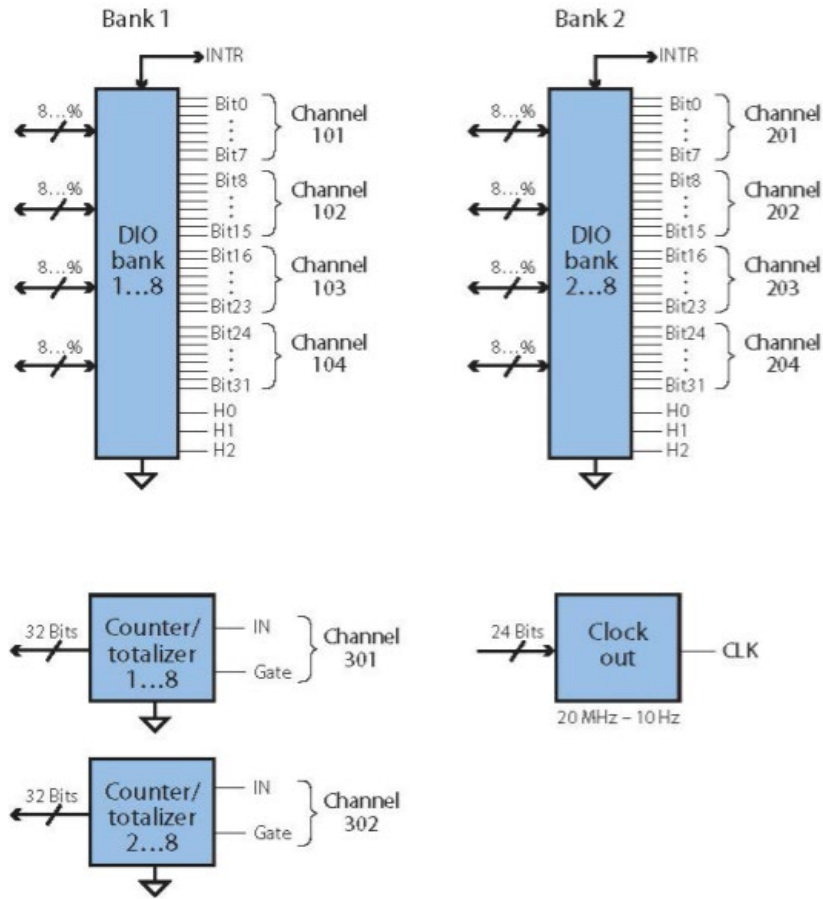


Figure 17: 34950A 64-channel digital I/O

## 34951A 4-channel isolated D/A converter with waveform memory

This module has four independent, isolated channels that output DC voltage up to  $\pm 16$  V or DC current up to  $\pm 20$  mA. The gain and offset can be adjusted on-the-fly.

Each channel can be controlled manually, or use the onboard memory to download a waveform. The 500k of memory is global and can store up to 32 waveforms. Any waveform can be dynamically allocated among one or more channels and output as a point-to-point arbitrary waveform generator at up to 200k points/sec. You can use the standard sine, square or ramp wave shapes provided or define your own wave shape using over 500k points and output to a device under test. There is also a single CLK that can be divided down for each channel independently. The calibration command connects the D/A converters to the internal DMM to be automatically calibrated. Connections to the module can be made via standard 50-pin Dsub, cables, or a detachable terminal block.

<b>34951A 4 channel D/A</b>	
<b>General specifications</b>	
Maximum update rate	200 kHz point-to-point
Monotonic	To 16 bits
Isolation	>80 VDC/AC peak (chan-to-chassis or chan-to-chan)
Synchronization	Software commands or external trigger
Internal/external CLK accuracy	100 ppm
AC accuracy	Not specified
<b>DC voltage</b>	
Amplitude	$\pm 16$ V up to 10 mA
Resolution	16 bits = 500 $\mu$ V
Amplitude accuracy	$\pm (0.05\% + 3.0$ mV) (90 days, Tcal $\pm 5^\circ$ C or Cal:MOD?: $\pm 5^\circ$ C)
Ripple and noise	< 2 mVrms, 20 Hz to 250 kHz into 10 k $\Omega$ load
Settling time	40 $\mu$ S (-full scale to +full scale step, single channel, to rated accuracy)
Output impedance	< 1 $\Omega$ with the load sensed
<b>DC current</b>	
Range	$\pm 20$ mA
Resolution	16-bit = 630 nA
Accuracy	$\pm (0.09\% + 5.0$ $\mu$ A) (90 days, Tcal $\pm 5^\circ$ C or Cal:MOD?: $\pm 5^\circ$ C)
Ripple and noise	< 2 $\mu$ Arms, 20 Hz to 250 kHz into 250 $\Omega$
Compliance voltage	$\pm 12$ V
Maximum open circuit voltage	< $\pm 22$ V
<b>Trigger input</b>	
Input level	TTL compatible (3.3 V logic, 5 V tolerant)
Slope	Rising or falling, selectable
Pulse width	>100 ns
Input impedance	>10 k $\Omega$ , DC coupled
<b>Trigger output</b>	
Level	TTL compatible into 1 k $\Omega$ (3.3 V logic)
Output impedance	50 $\Omega$ typical
<b>Clock input</b>	
Input level	TTL compatible into 1 k $\Omega$ (3.3 V logic)
Input impedance	50 $\Omega$ typical
Maximum rate	10 MHz
<b>Clock output</b>	
Level	TTL compatible into 1 k $\Omega$ (3.3 V logic)
Output impedance	50 $\Omega$ typical
Maximum rate	10 MHz
Accuracy	$\pm 100$ ppm

## 34952A multifunction module with 32-bit DIO, 2-channel D/A and totalizer

The multifunction module offers the flexibility you need for system control. The 34952A has four 8-bit digital I/O channels, a 100- kHz gated totalizer, and two  $\pm 12$  V analog outputs—all on a single earth-referenced module. The digital inputs and totalizer input may be included in a scan list. Alarm limits for the digital and totalizer inputs are evaluated continuously, capturing and logging alarm conditions even between scans. Connections can be made via standard 50-pin Dsub cables or detachable terminal block. The 34952T terminal block has a pinout for connection to an external Opto 22 board

### 34952A multifunction module

#### Digital input/output characteristics

Channels	Four 8-bit channels, 8 bits wide, input or output, non – isolated
Vin(L)	< 0.8 V (TTL)
Vin(H)	> 2.0 V (TTL)
Vout(L)	< 0.8 V @ Iout = -400 mA per output
Vout(H)	> 2.4 V @ Iout = 1 mA
Vin(H) max	< 42 V with external open drain pull-up
Alarm	Maskable pattern match or state change
Speed	4 ms (max) alarm sampling
Latency	5 ms (typical) to 34980A alarm output
Read/write speed	95/s

#### Totalize input characteristics

Max count	$2^{26}-1$
Totalize input	100 kHz (max) rising or falling edge, programmable
Signal level	1 Vp-p (min) 42 Vpk (max)
Threshold	0 V or TTL
Gate input	TTL-Hi, TTL-Lo, or none
Count reset	Manual or read + reset
Read speed	85 rds/s

#### Analog output characteristics

DAC 1,2	$\pm 12$ V, non-isolated
Resolution	1 mV
IOUT	10 mA max
Settling time	1 ms to 0.01% of output
Accuracy 1 year	$\pm$ (% of output + mV) (0.25% + 20 mV)
Temp. coefficient	$\pm$ (0.015% + 1 mV)/ $^{\circ}$ C



Figure 18: 34952A multifunction module

## 34959A breadboard module

Use this module to create your own custom designs inside the 34980A mainframe. You can control your custom circuits with access to both the +12 V and +5 V supplies, 28 relay drive lines and two 8-bit GPIO ports. Your design can be isolated from the analog buses or connected by loading the backplane switches. Simply mount your custom PC board or other components into the space provided and connect via the two ribbon connectors provided. The module is provided with two 50- or 78-pin Dsub connector openings. For custom connections, use the detachable flat faceplates for easy modification. You can program your circuitry using standard read and write commands in SCPI.

34959A breadboard module	
<b>General specifications</b>	
Max module power dissipation	6 W
Power available:	
12 V regulation no load to full load	10%
5 V regulation no load to full load	5%
Max power from 12 V	6 W
Max power from 5V	1 W
<b>Relay drives</b>	
Channels	28, sink up to 100 mA
Max Input Voltage	42 V
Leakage Current	8 $\mu$ A
<b>GPIO ports</b>	
Chan 1 and Chan 2	8 configure bits as input or output
Chan 3	3 output bits
High input	2 V min, 5.5 V max
Low input	0 V min, 0.8 V max
High output	2.4 V @ 4 mA, 3 V @ 500 $\mu$ A
Low output	0.4 V @ 8 mA

Available space for internal board/components: 5.4 x 7.5 x either 0.9 inches height without PC board, or 0.7 inches high with PC board.

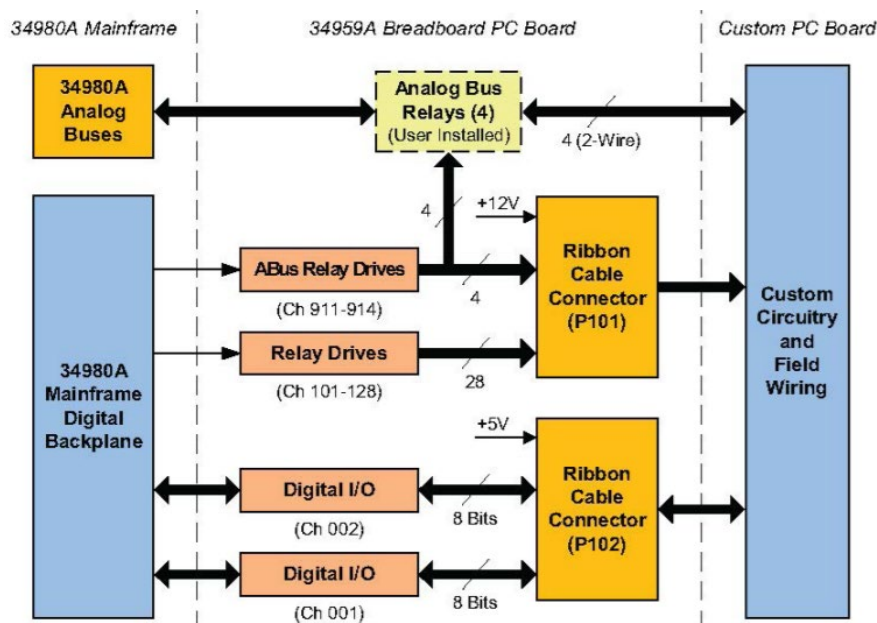


Figure 19: 34959A breadboard module



## 34980A system specifications and characteristics

DMM accuracy  $\pm$  (% of reading + % of range)

Includes measurement error, switching error, and transducer conversion error<sup>1</sup>.

Range <sup>4</sup> , Frequency, etc.	24 hour <sup>2,3</sup> Tcal $\pm$ 1°C	90 days Tcal $\pm$ 5°C	1 year Tcal $\pm$ 5°C	Temperature coefficient/ <sup>o</sup> C >Tcal $\pm$ 5°C
<b>DC voltage (with 34921A / 22A / 31A / 32A)<sup>10,11</sup></b>				
Input impedance = Hi-Z				
10 V range and below				
100.0000 mV	0.0030 + 0.0035	0.0040 + 0.0040	0.0050 + 0.0040	0.0005 + 0.0005
1.000000 V	0.0020 + 0.0006	0.0030 + 0.0007	0.0040 + 0.0007	0.0005 + 0.0001
10.00000 V	0.0015 + 0.0004	0.0020 + 0.0005	0.0035 + 0.0005	0.0005 + 0.0001
100.0000 V	0.003 + 0.0006	0.0045 + 0.0006	0.0055 + 0.0006	0.0005 + 0.0001
300.0000 V	0.003 + 0.0020	0.0045 + 0.0030	0.0055 + 0.0030	0.0005 + 0.0003
<b>True RMS AC voltage <sup>5</sup></b>				
All ranges from 100.0000 mV to 100.0000 V				
3 Hz-5 Hz	1.00 + 0.03	1.00 + 0.04	1.00 + 0.04	0.100 + 0.004
5 Hz-10 Hz	0.35 + 0.03	0.35 + 0.04	0.35 + 0.04	0.035 + 0.004
10 Hz-20 kHz	0.04 + 0.03	0.05 + 0.04	0.06 + 0.04	0.005 + 0.004
20 kHz-50 kHz	0.10 + 0.05	0.11 + 0.05	0.12 + 0.05	0.011 + 0.005
50 kHz-100 kHz	0.55 + 0.08	0.60 + 0.08	0.60 + 0.08	0.060 + 0.008
100 kHz-300 kHz <sup>6</sup>	4.00 + 0.50	4.00 + 0.50	4.00 + 0.50	0.20 + 0.02
<b>True RMS AC voltage <sup>5</sup></b>				
300.0000 V range				
3 Hz-5 Hz	1.00 + 0.05	1.00 + 0.08	1.00 + 0.08	0.100 + 0.008
5 Hz-10 Hz	0.35 + 0.05	0.35 + 0.08	0.35 + 0.08	0.035 + 0.008
10 Hz-20 kHz	0.04 + 0.05	0.05 + 0.08	0.06 + 0.08	0.005 + 0.008
20 kHz-50 kHz	0.10 + 0.10	0.11 + 0.12	0.12 + 0.12	0.011 + 0.012
50 kHz-100 kHz	0.55 + 0.20	0.60 + 0.20	0.60 + 0.20	0.060 + 0.020
100 kHz-300 kHz <sup>6</sup>	4.00 + 1.25	4.00 + 1.25	4.00 + 1.25	0.20 + 0.05
<b>Resistance <sup>7</sup></b>				
100.0000 $\Omega$ , 1 mA	0.0030 + 0.0035	0.008 + 0.004	0.010 + 0.004	0.0006 + 0.0005 0.0006
1.000000 k $\Omega$ , 1 mA	0.0020 + 0.0006	0.008 + 0.001	0.010 + 0.001	+ 0.0001 0.0006 +
10.00000 k $\Omega$ , 100 $\mu$ A	0.0020 + 0.0005	0.008 + 0.001	0.010 + 0.001	0.0001 0.0006 + 0.0001
100.0000 k $\Omega$ , 10 $\mu$ A	0.0020 + 0.0005	0.008 + 0.001	0.010 + 0.001	0.0010 + 0.0002 0.0030
1.000000 M $\Omega$ , 5.0 $\mu$ A	0.002 + 0.001	0.008 + 0.001	0.010 + 0.001	+ 0.0004 0.1500 +
10.00000 M $\Omega$ , 500 nA	0.015 + 0.001	0.020 + 0.001	0.040 + 0.001	0.0002
100.0000 M $\Omega$ , 500 nA / 10 M $\Omega$	0.300 + 0.010	0.800 + 0.010	0.800 + 0.010	
<b>Frequency and period <sup>8</sup></b>				
100 mV to 300V range:				
3 Hz-5 Hz	0.10	0.10	0.10	0.005
5 Hz-10 Hz	0.05	0.05	0.05	0.005
10 Hz-40 Hz	0.03	0.03	0.03	0.001
40 Hz-300 kHz	0.006	0.01	0.01	0.001
<b>DC current (34921A only)</b>				
10.00000 mA, < 0.1V, burden typ	0.005 + 0.010	0.030 + 0.020	0.050 + 0.020	0.002 + 0.0020 0.002 +
100.0000 mA, < 0.6V	0.010 + 0.004	0.030 + 0.005	0.050 + 0.005	0.0005 0.005 + 0.0010
1.000000 A, < 2 V	0.050 + 0.006	0.080 + 0.010	0.100 + 0.010	
<b>True RMS AC current (34921A only)</b>				
10.00000 mA and <sup>5</sup> 1.0 A				
3 Hz-5 Hz	1.00 + 0.04	1.00 + 0.04	1.00 + 0.04	0.100 + 0.006
5 Hz-10 Hz	0.30 + 0.04	0.30 + 0.04	0.30 + 0.04	0.035 + 0.006
10 Hz-5 kHz	0.10 + 0.04	0.10 + 0.04	0.10 + 0.04	0.015 + 0.006
100.0000 mA <sup>9</sup>				
3 Hz-5 Hz	1.00 + 0.5	1.00 + 0.5	1.00 + 0.5	0.100 + 0.006
5 Hz-10 Hz	0.30 + 0.5	0.30 + 0.5	0.30 + 0.5	0.035 + 0.006
10 Hz-5 kHz	0.10 + 0.5	0.10 + 0.5	0.10 + 0.5	0.015 + 0.006

- One hour warm-up and a fixed configuration with slow AC filter, sine wave input, and 6½ digits. Temperature within ± 5°C of temperature at calibration (Tcal between 18-28°C)
- 90 minute warm-up and a fixed configuration and 6½ digits. Temperature within ± 1°C of temperature at calibration (Tcal between 18-28°C)
- Relative to calibration standards
- 20% over range on all ranges except 300VDC and AC ranges and 1 ADC and AC current ranges
- For sine wave input > 5% of range; for inputs from 1% to 5% of range and < 50 kHz add 0.1% of range additional error; for AC filter slow
- Typically, 30% of reading error at 1 MHz, limited to 1 x 108 volt-hertz
- Accuracy for 4-wire ohms. Add 4 ohms uncertainty (typical) for 2-wire ohms function due to conductor and contact resistance variability in the DMM. The 2-wire resistance accuracy can be improved by measuring a short on each channel and using the built-in  $y = Mx + b$  scaling function. See User Guide, Chapter 3. The series resistance of the 34923/24/25/33/34 limits the use of the 100 ohms resistance range. Keysight recommends the use of 4-wire ohms for resistance measurements. For high accuracy voltage measurements, select the DMM input resistance setting of > 10 G ohms to minimize the impact of relay contact resistance.
- For inputs > 100 mV; for inputs 10 mV to 100 mV multiply % of reading error X 10; for 1 sec aperture (6 1/2 digits)
- Specified only for inputs > 10 mA. For AC filter slow
- Add 50 uV error for 34923A/24A/33A and 7 µV error for the 34925A
- Voltage measurements using Fixed-Z input impedance for the 100 V and 300 V ranges.

### Additional low frequency error for ACV, ACI (% of reading)

Frequency	AC Filter Slow	AC Filter Medium	AC Filter Fast
10 Hz – 20 Hz	0	0.74	-
20 Hz – 40 Hz	0	0.22	-
40 Hz – 100 Hz	0	0.06	0.73
100 Hz -200 Hz	0	0.01	0.22
200 Hz – 1 kHz	0	0	0.18
>1 kHz	0	0	0

### Additional error for frequency, Period (% of reading)

Frequency	Aperture (Digits)		
	1 second (6½ digits)	0.1 seconds (5½ digits)	0.01 seconds (4½ digits)
3 Hz – 5 Hz	0	0.12	0.12
5 Hz – 10 Hz	0	0.17	0.17
10 Hz – 40 Hz	0	0.2	0.2
40 Hz – 100 Hz	0	0.06	0.21
100 Hz – 300 Hz	0	0.03	0.21
300 Hz – 1 kHz	0	0.01	0.07
> 1 kHz	0	0	0.02

### Temperature measurement accuracy

Temperature 1-year accuracy	Type	Best Range <sup>1</sup>		Extended Range <sup>1</sup>		Temperature coefficient/°C
Thermocouple (34921A only, includes cold junction accuracy on terminal block)	B	1100 °C to 1820 °C	1.2 °C	400 °C to 1100 °C	1.8 °C	0.03 °C
	E	-150 °C to 1000 °C	1.0 °C	-200 °C to -150 °C	1.5 °C	0.03 °C
	J	-150 °C to 1200 °C	1.0 °C	-210 °C to -150 °C	1.2 °C	0.03 °C
	K	-100 °C to 1200 °C	1.0 °C	-200 °C to -100 °C	1.5 °C	0.03 °C
	N	-100 °C to 1300 °C	1.0 °C	-200 °C to -100 °C	1.5 °C	0.03 °C
	R	300 °C to 1760 °C	1.2 °C	-50 °C to 300 °C	1.8 °C	0.03 °C
	S	400 °C to 1760 °C	1.2 °C	-50 °C to 400 °C	1.8 °C	0.03 °C
RTD	R <sub>0</sub> from 49 Ω to 2.1 kΩ	-200 °C to 600 °C	0.06 °C			0.003 °C
Thermistor	2.2k, 5k, 10k	-80 °C to 150 °C	0.08 °C			0.002 °C

- For total measurement accuracy, add temperature probe error, for < 1°C accuracy, an external fixed reference is required.

## Typical system speeds (measurements made on a 3.2GHz PC running VB6 in Windows XP Pro)

Single channel reading times in msec		Direct measurements – direct to I/O (includes switch, measure time and I/O time)			Direct measurement to memory(GPIB)
Single channel <sup>1,2</sup>		GPIB msec	USB 2.0 msec	LAN (w/VXI 11) msec	Measurement into memory msec
Single channel, DCV		2.83	3.14	4.57	1.90
Single channel, ACV		5.00	5.35	5.75	4.00
Single channel, ohms		2.91	3.14	4.65	1.90
Single channel while changing scale (eg MEAS DCV 10 / MEAS DCV 1)		9.52	10.64	11.76	8.40
Single channel while changing function (eg. MEAS ACV / MEAS DCV)		128	120	120	120
Command execution time <sup>3</sup>					
34925A	Open or Close	0.7	0.9	1.6	
	Read?	2.9	3.3	4.7	
	Close/Read/Open	4.8	5.3	6.5	
	Init/*WAI	1.9	2.1	3	
	Close/Init/Open	3.7	4.1	4.7	
34923A	Open or Close	0.9	1.2	1.8	
	Read?	2.9	3.3	4.7	
	Close/Read/Open	5.3	5.8	6.5	
	Init/*WAI	1.9	2.1	3	
	Close/Init/Open	4.2	4.7	5.2	
34921A	Open or Close	4.7	5.3	5.3	
	Read?	2.9	3	4.7	
	Close/Read/Open	14	15	15	
	Init/*WAI	1.9	2.1	3	
	Close/Init/Open	12.4	14	4	
34934A	Close	1.8	2.2	3.1	
	Read?	2.8	3.1	4.8	
	Open	1.5	1.8	3.2	

1. Readings were made with minimum NPLC, delay 0, display off, autozero off

2. All times include the issue of "READ?" and the retrieval of data

3. CLOSE or OPEN bus transfer times allowed to overlap previous command; command parse times overlap current activity until IO latency dominant.

### 34934A multi-channel close speeds over GPIB (msec)

	Isolate for fixed mode	Auto 100 mode	Auto 0 mode
Close 2 channels	0.97	1.22	1.31
Close 5 channels	0.43	0.54	0.56
Close 10 channels	0.22	0.28	0.29
Close 60 channels	0.13	0.17	0.21

### Single channel measurement rates – DMM reading rates <sup>1,2</sup>

Function	Resolution	Rds/s
DCV	4½ digits (0.02 plc)	3000
	5½ digits (1 plc)	59
	6½ digits (10 plc)	6
2-wire resistance	4½ digits (0.02 plc)	2000
	5½ digits (1 plc)	58
	6½ digits (10 plc)	6
Thermocouple	(0.02 plc)	1000
	0.1°C (1 plc)	59
RTD/Thermistor	1°C (0.02 plc)	1900
	0.1°C (1 plc)	58
	0.01°C (10 plc)	6
ACV	6½ fast (200Hz)	350

	6½ med (20Hz)	350
	6½ slow (3Hz)	350
Frequency, period	4½ digits (10 ms)	70
	5½ digits (100 ms)	9
	6½ digits (1 s gate)	1

1. Readings speeds for 60Hz; autozero off
2. For fixed function and range, readings to memory, scaling and alarms off, autozero off.

### Scanning measurement rates to bus or memory

Scanning channels <sup>1</sup>	Direct measurements – direct to I/O (includes switch, measure time and I/O time)			Measurement into memory
	GPIB ch/sec	USB 2.0 ch/sec	LAN (w VXI 11) ch/sec	Into memory ch/sec
Scanning DCV or 2-wire ohms				
34925A	920	860	980	1000
34923A/24A	588	572	605	625
34921A/22A	109	109	109	109
Scanning ACV <sup>2</sup>				
34925A	318	315	323	318
34923A/24A	260	260	260	260
34921A/22A	88	88	88	88
Scanning temperature				
34921A	109	109	109	109
Scanning digital in 34950A	660	592	815	1038

1. Speeds are for 4 1/2 digits, delay 0, display off, autozero off and scanning is within bank on the same module; add 10ms for between banks or modules for 2-wire measurements; 4-wire measurements are slower
2. Add additional time for filter setting on ACV

### Data out of memory to LAN, USB, or GPIB (data transfer rate with 1000 channel blocks)

	GPIB rds/sec	USB 2.0 rds/sec	LAN (w VXI 11) <sup>1</sup> rds/sec
Readings	2560	2400	3542
Readings with timestamp	1304	1230	1826
Readings with all format options ON	980	926	1361

1. LAN large block throughput rate is increased by approximately 30% using LAN sockets

## Measurement characteristics with optional internal DMM

### Measurement characteristics

#### DC voltage

Measurement method	Continuously integrating multi-slope III A-D converter
A-D linearity	0.0002% of reading + 0.0001% of range on 10 V range
Input resistance	Selectable 10 M Ω or > 10,000 M Ω 10 M Ω ± 1%
100 mV, 1 V, 10 V ranges 100 V, 300 V ranges	
Input bias current	< 50 pA at 25°C
Input protection	300 V all ranges

#### True RMS AC voltage

Measurement method	AC coupled True RMS—measures the AC component of the input with up to 300 VDC of bias on any range
Crest factor	Maximum of 5:1 at full scale
Additional crest factor errors (non-sinewave)	Crest factor 1-2 0.05% of reading
	Crest factor 2-3 0.15% of reading
	Crest factor 3-4 0.30% of reading
	Crest factor 4-5 0.40% of reading
AC filter bandwidth:	
Slow	3 Hz - 300 kHz

Medium	20 Hz - 300 kHz
Fast	200 Hz - 300 kHz
Input impedance	1 M $\Omega$ $\pm$ 2% in parallel with 150 pF
Input protection	300 Vrms all ranges
<b>Resistance</b>	
Measurement method	Selectable 4-wire or 2-wire ohms
Current source	Referenced to LO input
Offset compensation	Selectable on 100 $\Omega$ , 1k $\Omega$ , 10 k $\Omega$ ranges
Maximum lead resistance	10% of range per lead for 100 $\Omega$ and 1k $\Omega$ ranges. 1k $\Omega$ on all other ranges
Input protection	300 V on all ranges
<b>Frequency and period</b>	
Measurement method	Reciprocal counting technique
Voltage ranges	Same as AC voltage function
Gate time	1 s, 100 ms, or 10 ms
Measurement timeout	Selectable 3 Hz, 20 Hz, 200 Hz LF limit
Measurement consideration (frequency and period): All frequency counters are susceptible to error when measuring low-voltage, low-frequency signals. Shielding inputs from external noise pickup is critical for minimizing measurement errors.	
<b>DC current</b>	
Shunt resistance	5 $\Omega$ for 10 mA, 100 mA; 0.1 $\Omega$ for 1 A
Input protection	1 A 250 V fuse on 34921A module
<b>True RMS AC current</b>	
Measurement method	Direct coupled to the fuse and shunt. AC coupled True RMS measurement (measures the ac component only)
Shunt resistance	5 $\Omega$ for 10 mA; 0.1 $\Omega$ for 100 mA, 1 A
Input protection	1 A 250 V fuse on 34921A module
<b>Thermocouple</b>	
Conversion	ITS-90 software compensation
Reference junction type	Internal, fixed, or external
Open thermocouple check	Selectable per channel. Open > 5 k $\Omega$
Thermistor	44004, 44007, 44006 series
RTD	a = 0.00385 (DIN) and a = 0.00392
<b>Measurement noise rejection 60/50 Hz <sup>1</sup></b>	
DC CMRR	140 dB
AC CMMR	70 dB
<b>Integration time Normal mode rejection <sup>2</sup></b>	
200 plc/3.33 s (4 s)	105 dB <sup>3</sup>
100 plc/1.67 s (2 s)	100 dB <sup>3</sup>
20 plc/333 ms (400 ms)	95 dB <sup>3</sup>
10 plc/167 ms (200 ms)	90 dB <sup>3</sup>
2 plc/33.3 ms (40 ms)	85 dB
1 plc/16.7 ms (20 ms)	60 dB
< 1 plc	0 dB

1. For 1 k $\Omega$  unbalance in LO lead
2. For power line frequency  $\pm$  0.08%
3. For power line frequency  $\pm$  1% use 75 dB or  $\pm$  2.5% use 60 dB

## DC operating characteristics<sup>4</sup>

Function	Digits <sup>5</sup>	Readings / s	Additional RMS noise error
DCV <sup>7</sup> , DCI, and Resistance ( $\leq 10\text{ k}\Omega$ )	6½	0.6 (0.5)	0% of range
	6½	6 (5)	0% of range
	5½	60 (50)	0.001% of range
	5½	300	0.001% of range <sup>6</sup>
	4½	600	0.01% of range <sup>6</sup>
	4½	3000	0.1% of range <sup>6</sup>
<b>Autozero OFF operation</b>			
Following instrument warm-up at calibration temperature $\pm 1^\circ\text{C}$ and <10 minutes, add 0.0002% range additional error +5 $\mu\text{V}$ . (For 300 VDC, instead of .0002% of range, need .00066% of range)			
<b>Settling considerations</b>			
Reading settling times are affected by source impedance, low dielectric absorption characteristics, and input signal changes.			
<b>AC operating characteristics<sup>8</sup></b>			
ACV, ACI:	Digits <sup>9</sup>	Readings / s	AC Filter
	6½	7 sec/reading	Slow (3 Hz)
	6½	1	Medium (20Hz)
	6½	8 <sup>10</sup>	Fast (200 Hz)
	6½	100 <sup>11</sup>	Fast (200 Hz)

4. Reading speeds for 60 Hz and (50 Hz) operation; autozero OFF

5. 6½ digits = 22 bits; 5½ digits = 18 bits; 4½ digits = 15 bits

6. Add 20  $\mu\text{V}$  for DCV, 4  $\mu\text{A}$  for DCI, or 20 m $\Omega$  for resistance

7. For 300 VDC, multiply the additional noise error by 3.3

8. Maximum reading rates for 0.01% of AC step additional error; additional settling delay required when input DC level varies

9. 6½ digits = 22 bits; 5½ digits = 18 bits; 4½ digits = 15 bits

10. For external trigger or remote operation using default settling delay (Delay Auto)

11. Maximum limit with default settling delays defeated

## General Specifications

System specifications	
<b>Scanning inputs</b>	
Analog:	34921A, 34922A, 34923A, 34924A, and 34925A multiplexer channels
Digital	34950A/52A digital in and totalize
<b>Scan triggering</b>	
Source	Interval, external, button press software, or on monitor channel alarm
Scan count	1 to 50,000 or continuous
Scan Interval	0 0 99 hours; t ms step size
Channel delay	0 to 60 seconds per channel; 1 ms step size
External trig delay	< 2 ms. With monitor on < 200 ms
External trig jitter	< 2 ms
<b>Alarms</b>	
Analog inputs	Hi, Lo, or Hi + Lo evaluated each scan
Digital inputs	34950A/52A digital in maskable pattern match or state change 34950A/52A frequency and totalize: Hi limit only
Monitor channel	Alarm evaluated each reading
Alarm outputs	4 TTL compatible. Selectable TTL logic Hi or Lo on fail
Latency	5 ms (typical)
<b>Memory</b>	
Type	Volatile
Readings	500,000 with timestamp, readable during scan
States	5 instrument states with user label
Alarm queue	Up to 20 events with channel number, reading, and timestamp
<b>System features</b>	
Per-channel	Individual Mx+B scaling and calculated real time min/max/average
Power fail recovery	Save switch states
Relay maintenance	Counts each relay closure and stores on module. User resettable
Real-time clock	Battery-backed, 20-year typical life
<b>Line power</b>	
Power supply	Universal 100 V to 240 V $\pm$ 10%
Power line frequency	50 – 60 Hz $\pm$ 10% automatically sensed
Power consumption	150 VA
<b>Environment</b>	
Operating environment	Full accuracy for 0 °C to 55 °C Full accuracy to 80% R.H. at 40 °C IEC 60664-1 pollution degree 1
Storage environment	- 40°C to 70°C <sup>1</sup>
<b>Mechanical</b>	
Mainframe dimensions	133 H x 426 W x 341 D mm (5.25" x 16.8" x 14") Full rack, 3 units high
Mainframe weight	8.8 kg (19.6 lbs)
Module dimensions	280 H x 170 W x 27 D mm (11" x 6.7" x 1")
Module weights	0.73 to 1.18 kg (1.6 to 2.6 lbs)
Terminal block dimensions	28 H x 170 W x 114 D mm (1.1" x 6.7" x 4.5")
Terminal block weights	0.27 to 0.36 kg (0.6 to 0.8 lbs)
<b>Regulatory</b>	
Safety	CSA, UL/IEC/EN 61010-1
EMC	IEC/EN 61326-1, CISPR 11

1. Storage at temperatures above 40 °C will decrease battery life

Recommended software	
-	Keysight IO Libraries Suite 2019 or greater: <a href="http://www.keysight.com/find/IOLibraries">www.keysight.com/find/IOLibraries</a>
-	BenchVue: <a href="http://www.keysight.com/find/benchvue">www.keysight.com/find/benchvue</a>
-	BenchVue DAQ: <a href="http://www.keysight.com/find/benchvuedaq">www.keysight.com/find/benchvuedaq</a>
-	The BenchVue platform is a prerequisite for the BenchVue DAQ application.
Software driver support for programming languages	
Software drivers	IVI-C and IVI COM for Windows 7/8.1/10 and LabVIEW
Compatible programming tools and environments	
Keysight VEE Pro National Instruments Test Stand, Measurement Studio, LabWindows/CVI, LabVIEW, Switch Executive Microsoft Visual Studio.NET, C/C++, Visual Basic	
Keysight BenchVue Data Acquisition Control and Analysis Application system requirements	
Operating system	Microsoft Windows 10: 32-bit & 64-bit (Professional, Enterprise, Education, Home versions); Microsoft Windows 8 & 8.1: 32-bit & 64-bit (Professional, Enterprise, Core); Microsoft Windows 7: SP1 and later 32-bit & 64-bit (Professional, Enterprise, Ultimate, Home Basic, Home Premium)
Processor	1 GHz or faster (2 GHz or greater recommended)
RAM	RAM: 1 GB (32-bit) or 2 GB (64-bit) (3 GB or greater recommended)
Display	1280x1024 minimum for single instrument view (higher resolution recommended for multiple instrument view)
Computer Interfaces	
LXI	10/100Base-T Ethernet (Sockets, VXI-11 protocol, Web user interface)
USB	Standard USB 2.0
GPIB	IEEE-488
Language	SCPI-1999, IEEE-488.2

## Definitions for specifications

Specifications describe the warranted performance of calibrated instruments that have been stored for a minimum of 2 hours within the operating temperature range of 0 °C to 50 °C, unless otherwise stated, and after a 45 minute warm-up period. Data represented in this document are specifications unless otherwise noted.

Characteristics describe product performance that is useful in the application of the product, but that is not covered by the product warranty. Characteristics are often referred to as Typical or Nominal values.

– Typical describes characteristic performance, which 80% of instruments will meet when operated over a 20 °C to 30 °C temperature range. Typical performance is not warranted.

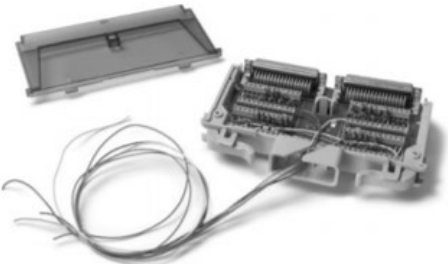

– Nominal describes representative performance that is useful in the application of the product when operated over a 20 °C to 30 °C temperature range. Nominal performance is not warranted.

**NOTE:** All graphs contain measured data from several units at room temperature unless otherwise noted.



## Ordering Instructions

Instructions			
<b>Mainframe – holds up to 8 plug-in modules</b>			
34980A	Multifunction data acquisition mainframe	Comes standard with “DMM” option and BenchVue DAQ	
BV0006B	BenchVue Data Acquisition Control and Analysis (DAQ)	BenchVue makes it simple to connect, control instruments, and automate test sequences. Supported plug-in modules: 34921A, 34922A, 34923A, 34924A, 34925A, 34931A, 34932A, 34933A, 34937A, 34938A, 34952A.	
Module	Description	Connectors	Optional terminal blocks, cables, connector kits
<b>Multiplexer modules</b>			
34921A	40-channel armature multiplexer w/low thermal offset (order 34921T for temp reference)	2 – 50-pin Dsub, Male	3492xT Terminal block with screw connectors Y1135A – 1.5 m 50-pin M/F Dsub cable Y1136A – 3 m 50-pin M/F Dsub cable Y1139A – 50-pin female solder cup connector kit
34923A	40/80-channel reed multiplexer		
34925A	40/80-channel optically isolated FET multiplexer		
34922A	70-channel armature multiplexer	2 – 78-pin Dsub, Male	3492xT Terminal block, option 001 for solder connections, option 002 for screw connectors Y1137A – 1.5 m 78-pin M/F Dsub cable Y1138A – 3 m 78-pin M/F Dsub cable Y1140A – 78-pin female solder cup connector kit
34924A	70-channel reed multiplexer		
<b>Matrix modules</b>			
34931A	Dual 4x8 armature matrix	2 – 50-pin Dsub, Male	3493xT Terminal block with screw connectors Y1135A – 1.5 m 50-pin M/F Dsub cable Y1136A – 3 m 50-pin M/F Dsub cable Y1139A – 50-pin female solder cup connector kit
34932A	Dual 4x16 armature matrix		
34933A	Dual/quad 4x8 reed matrix		
34934A	Quad 4x32 reed matrix	2 – 78-pin Dsub, Male	34934T Terminal block with screw connectors OR 34934C Configuration block Y1134A – Row expansion cables for 34934C and 34934T Y1137A – 1.5 m 78-pin M/F Dsub cable Y1138A – 3 m 78-pin M/F Dsub cable Y1140A – 78-pin female solder cup connector kit
<b>General purpose/actuator modules</b>			
34937A	32-channel Form C/Form A general-purpose switch	2 – 50-pin Dsub, Male	3493xT Terminal block with screw connectors Y1135A – 1.5 m 50-pin M/F Dsub cable Y1136A – 3 m 50-pin M/F Dsub cable Y1139A – 50-pin female solder cup connector kit
34938A	20-channel 5-amp Form A switch		
34939A	64-channel Form A Switch	2 – 78-pin Dsub, Male	34939T Terminal block with screw connectors Y1137A – 1.5 m 78-pin M/F Dsub cable Y1138A – 3 m 78-pin M/F Dsub cable Y1140A – 78-pin female solder cup connector kit
<b>RF and microwave modules</b>			
34941A	Quad 1x4 50-ohm 3-GHz RF multiplexer	20 - SMA	Requires standard 50 ohm SMA RF cables, and optional 8710-2576 SMA Extender wrench for connecting SMA connectors
34942A	Quad 1x4 75-ohm 1.5 GHz RF multiplexer	20 – mini SMB	Requires mini 75 ohm SMB RF cables, adapters
34945A	Microwave switch/attenuator driver	N/A	Requires 34945EXT and optional Y1150A-Y1155A distribution boards (one 34945EXT is automatically included in each 34945A order)
34946A	Dual 1x2 SPDT terminated microwave switch Option 001: No switches installed Option 004: 4 GHz switches installed Option 020: 20 GHz switches installed Option 026: 26.5 GHz switches installed	6 SMA	Requires standard 50 ohm SMA cables and adapters 8710-2576 SMA Extender for connecting SMA connectors. Option 001 supports qty 2 of any of the following switches: N1810UL unterminated SPDT N1810TL terminated SPDT N1811TL terminated 4 port transfer

34947A		9 SMA	N1812UL unterminated 5 port transfer Requires standard 50 ohm SMA cables and adapters 8710-2576 SMA Extender for connecting SMA connectors. Option 001 supports qty 3 N1810UL unterminated SPDT switches
<b>System measurement and control modules</b>			
34950A	64-bit digital I/O with memory and counter	2 – 78-pin Dsub, Female	3495xT Terminal block with screw connectors Y1137A – 1.5 m 78-pin M/F Dsub cable Y1138A – 3 m 78-pin M/F Dsub cable Y1142A – 78-pin male solder cup connector kit
34951A	4-channel isolated D/A converter with waveform memory (DMM option required for calibration)	1 – 50-pin Dsub, Female	3495xT Terminal block with screw connectors Y1135A – 1.5 m 50-pin M/F Dsub cable Y1136A – 3 m 50-pin M/F Dsub cable Y1141A – 50-pin male solder cup connector kit
34952A	Multifunction module with 32-bit DIO, 2-ch D/A and totalizer		
34959A	Breadboard module	26- & 40-pin internal ribbon cable connectors	Any terminal block can be used assuming 50- or 78-pin Dsub is used
<b>Accessories</b>			
Y1130B	Rackmount kit for 34980A, forward or reverse mount (must order either E3663AC rail kit for forward rack mounting or E3664AC rail kit for reverse rack mounting)		
Y1131A	Verification and diagnostic tools for 34980A mainframe and modules (select option for specific module support)		
Y1132A	Module extender for 34980A. Extends cable to locate module outside of mainframe 8710-2576 SMA Extender for connecting SMA connectors.		
<b>Terminal blocks used for discrete wiring. Supports 20 AWG wire for 100 connections</b>			
3492xT	Multiplexer terminal blocks		Screw terminal block 
3493xT	Matrix and GP terminal blocks		
3495xT	Measurement and control terminal blocks		
<b>Cables - used for direct cable connection to module. Some modules require 2 cables</b>			
Y1134A	Row expansion cables for 34934C and 34934T		
Y1135A	1.5 m 50-pin Dsub, M/F twisted pair with outer shield cable – 300 V		
Y1136A	3 m 50-pin Dsub, M/F twisted pair with outer shield cable – 300 V		
Y1137A	1.5 m 78-pin Dsub, M/F twisted pair with outer shield cable – 300 V		
Y1138A	3 m 78-pin Dsub, M/F twisted pair with outer shield cable – 300 V		
<b>Connector kits used to build custom cables</b>			
Y1139A	Solder cup connector kit for 34921/23/25/31/32/33/37/38 –50-pin Dsub female – 125 V		Connector kit 
Y1140A	Solder cup connector kit for 34922, 34924 – 78-pin Dsub female – 60 V		
Y1141A	Solder cup connector kit for 34951, 34952 – 50-pin Dsub male – 125 V		
Y1142A	Solder cup connector kit for the 34950A – 78-pin Dsub male – 60 V		

**34945A accessory distribution boards required for control of external switches. One 34945EXT is required for each 64 coils (included, add more 34945EXTs for additional coils).**

34945EXT	External driver for 34945A, one required for each 64 coils –holds 4 distribution boards. Order Y1157A-Y1159A cable kits to connect from distribution boards to switches and attenuators
Y1150A	34945EXT distribution board for 8 N181x SPDT switches
Y1151A	34945EXT distribution board for two 87104x/106x L7x0xx multiport or 87406B matrix switches
Y1152A	34945EXT distribution board for one 87204x/206x or 87606B switch and two N181x switches
Y1153A	34945EXT distribution board for two 84904/5/6/7/8 or 8494/5/6 step attenuators
Y1154A	34945EXT distribution board for two 87222, L7222C transfer switches and six N181x SPDT switches
Y1155A	34945EXT distribution board w/ generic screw terminals for driving 16 switch coils
Y1157A	9-to-10 pin cable kit for Y1150A, Y1152A, Y1154A - supplies to build 4 cables
Y1158A	10-to-10/10-to-14 pin cable kit for Y1153A, Y1154A - supplies to build 2 cables
Y1159A	6-to-16 pin cable kit for 1150A/51A/52A/53A/54A/55A - supplies to build 2 cables

**Thermocouples/thermistors**

34307A	10 pack of J type thermocouples
34308A	5 pack of 10 k thermistors

Learn more at: [www.keysight.com](http://www.keysight.com)

For more information on Keysight Technologies' products, applications or services, please contact your local Keysight office. The complete list is available at: [www.keysight.com/find/contactus](http://www.keysight.com/find/contactus)



Find us at [www.keysight.com](http://www.keysight.com)

This information is subject to change without notice. © Keysight Technologies, 2019, Published in USA, July 9, 2019, 5989-1437EN