



EICHHOFF

Einbauschalter mit Wiederanlaufschutz
nach Spannungsausfall

Built-in switch with restart protection
due to voltage loss

Commutateur incorporé avec protection
de reprise en cas de chute de tension

Interruttore da incasso con protezione
contro la riaccensione in caso
di interruzione di corrente



EICHHOFF

E 3251-00 -01

Technische Daten:

- Betätigung: Wippenschalter
- Kontakte: 2-polig
- Nennspannung: 230 V / 50 Hz
- Schaltstrom: max. 16 A
- Anschluß: Flachstecker 6,3 x 0,8 mm
- Befestigung: Snap-in
Einbauöffnung: 45,2 x 21,7 mm

Option: Spulenanschluß extern
Schutzart: IP 54
Abdeckung frontseitig

Technical data:

- rocker switch operated
- contacts: bipolar
- rated voltage: 230 V / 50 Hz
- switching current: max. 16 A
- connection: faston 6,3 x 0,8 mm
- fastening: Snap-in
cut-out: 45,2 x 21,7mm

Option: external coil connection
protection class: IP54
frontside cover

Données techniques:

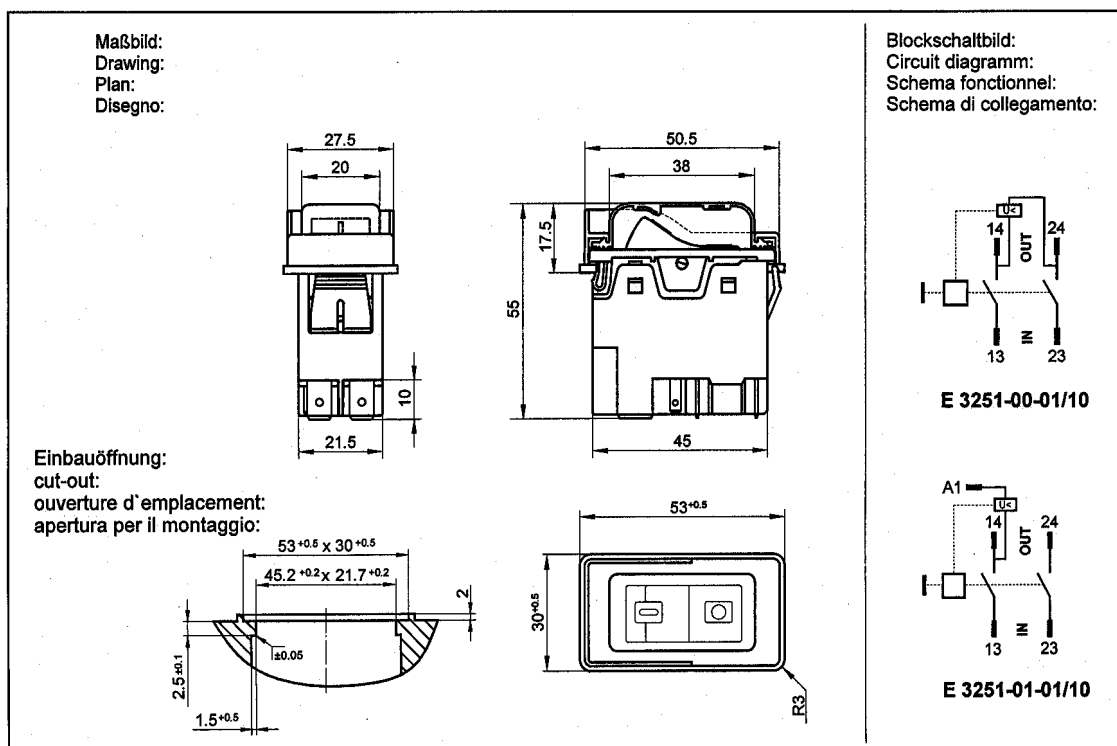
- actionnement par interrupteur à balancier
- contact: bipolaire
- tension nominale: 230 V / 50 Hz
- courant de commutation: max. 16 A
- raccord: languettes 6,3 x 0,8 mm
- fixation: snap-in / à déclic
ouverture d'emplacement: 45,2 x 21,7 mm

Option: raccord bobine externe
type de protection: IP 54
recouvrement frontal

Dati tecnici:

- azionamento: interruttore a bilanciere
- contatto: bipolare
- tensione nominale: 230 V / 50 Hz
- corrente di apertura: max. 16 A
- collegamento: faston 6,3 x 0,8 mm
- fissaggio: fissaggio a scatto
apertura di montaggio: 45,2 x 21,7mm

Opzione: collegamento a bobina esterno
tipo di protezione: IP54
copertura frontale



Prüfzeichen:
Approvals:
Homologations:
Omologazioni:



Reg.-Nr. 6661





EICHHOFF

E 3251-20 -21

Technische Daten:

- Betätigung: Drucktasten (rot / grün)
- Flanschbefestigung
- Schutzart: IP 64
- Nennspannung: 230 V / 50 Hz
- Schaltstrom: max. 16 A
- Anschluß: Flachstecker 6,3 x 0,8 mm

Option: Spulenanschluß extern

Données techniques:

- actionnement par bouton poussoir (rouge / vert)
- fixation par bride
- classe de protection: IP 64
- tension nominale: 230 V / 50 Hz
- courant de commutation: max. 16 A
- raccord: languettes 6,3 x 0,8 mm

Option: raccord bobine externe

Technical data:

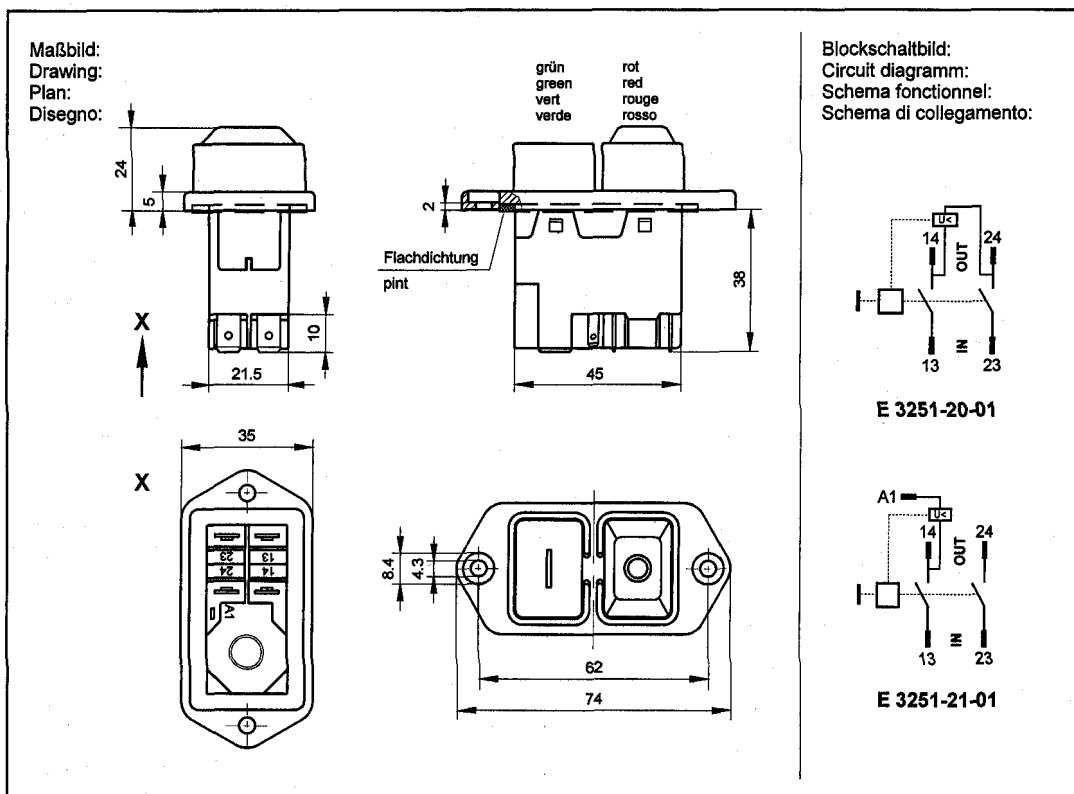
- push button operated (red / green)
- flange mounting
- protection class: IP 64
- rated voltage: 230 V / 50 Hz
- switching current: max. 16 A
- connection: faston 6,3 x 0,8 mm

Option: external coil connection

Dati tecnici:

- azionamento: a pulsante (rosso / verde)
- fissaggio a flangia
- tipo di protezione: IP 64
- tensione nominale: 230 V / 50 Hz
- corrente di apertura: max. 16 A
- collegamento: faston 6,3 x 0,8 mm

Opzione: collegamento a bobina esterno



Prüfzeichen:
Approvals:
Homologations:
Omologazioni:



Reg.-Nr. 6661





EICHHOFF

Dieser neuartige Schalter wird manuell eingeschaltet, danach fixiert ein Elektromagnet die Position. Bei Ausfall der Netzspannung öffnen die Schaltkontakte und können erst durch erneute manuelle Betätigung wieder geschlossen werden. Damit wird ein unbeabsichtigter Wiederanlauf der Maschine nach einem Spannungsausfall verhindert.

This new type of built-in switch is operated manually. An electromagnet sets the switch-on position. If a voltage loss occurs the contacts are opened and only reset after manual actuation. This prevents unintentional re-start of machines after voltage loss.

Ce nouveau commutateur est actionné manuellement. Un électro-aimant tient la position de fermeture. En cas de chute de tension, les contacts s'ouvrent et ne se referment que s'ils sont actionnés manuellement. Ainsi, on empêche, en cas de chute de tension, une remise en marche involontaire des machines branchées.

Questo nuovo tipo di interruttore da incasso viene azionato manualmente. Un elettromagnete fissa la posizione di chiusura. In caso di mancanza di tensione, i contatti di chiusura vengono aperti e richiusi solo al nuovo azionamento manuale. In tal modo si impedisce, in caso di mancanza di tensione, l'avviamento non intenzionale delle macchine collegate al circuito.

Typische Einsatzgebiete dieses Einbauschalers sind:

- Maschinen für die Holz- und Metallbearbeitung
- Maschinen für das Baugewerbe
- Elektrowerkzeuge
- Werkbänke für den Anschluß von Elektrowerkzeugen

Typical applications for this built-in switch are:

- machines for working with wood and metal
- machines for the building trade
- electric tools
- work benches for connection with electric tools

Domaines d'application de ce commutateur:

- machines à travailler le bois et les métaux
- machines pour l'artisanat du bâtiment
- outils électriques
- établis pour le branchement d'outils électriques

I settori tipici di impiego di questo interruttore da incasso sono:

- macchine per la lavorazione del legno e dei metalli
- macchine per l'edilizia
- elettroutensili
- banchi di lavoro per l'allacciamento degli elettroutensili

Das Eichhoff-Fertigungsprogramm umfaßt folgende Produktgruppen:

EMV-Komponenten und EMV-Systeme
Transformatoren
Elektromechanische Komponenten
Elektronische Systeme

The Eichhoff manufacturing programme includes the following product groups:

EMC Components and Systems
Transformers
Electromechanical Components
Electronic Systems

Le programme de production Eichhoff comprend les groupes de produits suivants:

Eléments CEM et systèmes CEM
Transformateurs
Composants électromécaniques
Systèmes électroniques

La gamma di produzione Eichhoff comprende i seguenti gruppi di prodotti:

Componenti CEM e sistemi CEM
Trasformatori
Componenti elettromeccanici
Sistemi elettronici



Eichhoff GmbH

Postfach 140 D-36104 SCHLITZ
Heidgraben 4 D-36110 SCHLITZ

Telefon : ++49/66 42/8 01-0
Telefax : ++49/66 42/8 01-1 65
e-mail : sales@eichhoff.de
Internet : www.eichhoff.de



EICHHOFF



Built-in switch with restart protection due voltage loss



3251-20-01/52, 3251-21-01/52



pic.: 3251-21-01/52

RS 398-5207

push button operated, flange mounting

standard type:

3251-20-01/52; 230V / 50 Hz

ID: 511644

3251-21-01/52; 230V / 50 Hz

ID: 511624

(ext. coil connection)

other designs

(without approvals):

3251-2X-03/51 115 V / 50 Hz

3251-2X-04/51 115 V / 60 Hz

3251-2X-05/51 230 V / 60 Hz

3251-2X-06/51 240 V / 50-60 Hz

tested in conformity with:

DIN/VDE 0660 part 102;

IEC 947-4-1

id. card no.: 06661 ÜG

CB - Zert. no.: DE1-7429

protection class:

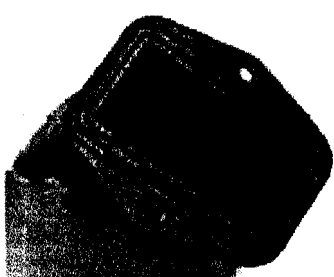
IP 65 (frontside)

switching current:

AC-1: 16A 230V

AC-3: 14,5A 230V

accessory:



pic.: protection cap ID: 511615
AAE003-251/029 RS 398-5257

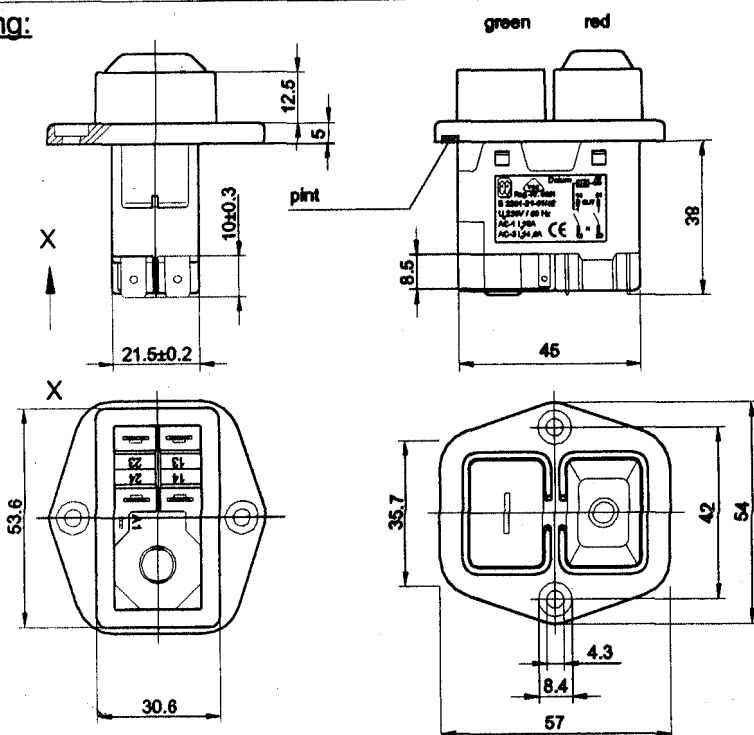


pic.: 3251-21-01/51
ID: 511256

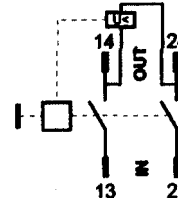
with protection cap
IP 50 (backside)

other data see
standard type

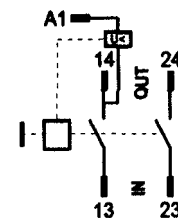
Drawing:



circuit diagramm:



E 3251-20-01/51



E 3251-21-01/51

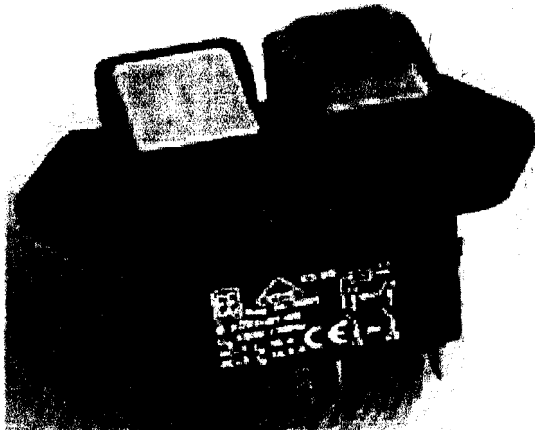


Built-in switch

with restart protection due to voltage loss



3251-20-01, 3251-21-01



pic.: 3251-21-01

push button operated, flange mounting

standard type:

3251-20-01; 230V / 50 Hz

ID: 510946

3251-21-01; 230V / 50 Hz

ID: 511074

(ext. coil connection)

other designs

(without approvals):

3251-2X-03 115 V / 50 Hz

3251-2X-04 115 V / 60 Hz

3251-2X-05 230 V / 60 Hz

3251-2X-06 240 V / 50-60 Hz

tested in conformity with:

DIN/VDE 0660 part 102;

IEC 947-4-1

id. card no.:06661 ÜG;

CB - zert. no.:DE1 - 7429

protection class:

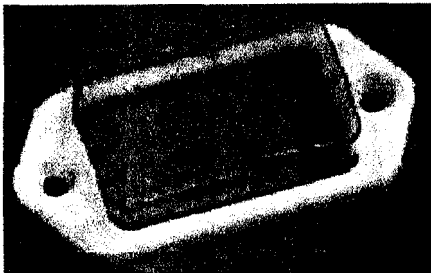
IP 65 (frontside)

switching current:

AC-1: 16A 230V

AC-3: 14,5A 230V

accessory:



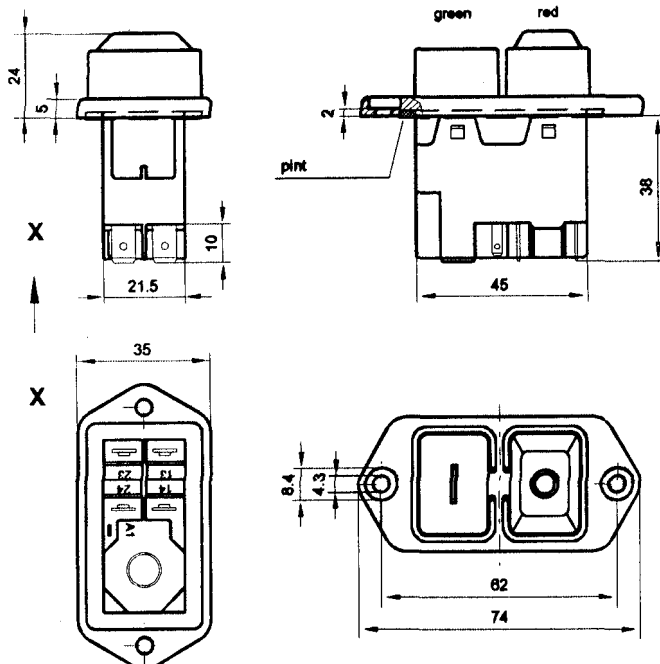
pic.: cover ID: 511537
AAE003-251/Z037



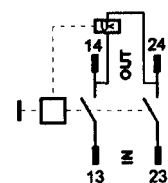
pic.: 3251-21-01/10
ID: 511646

protection class:
protection against
coarse pollution
(frontside)
other data see
standard type

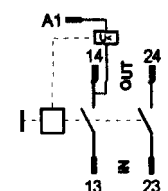
drawing:



circuit diagramm:



E 3251-20-01



E 3251-21-01



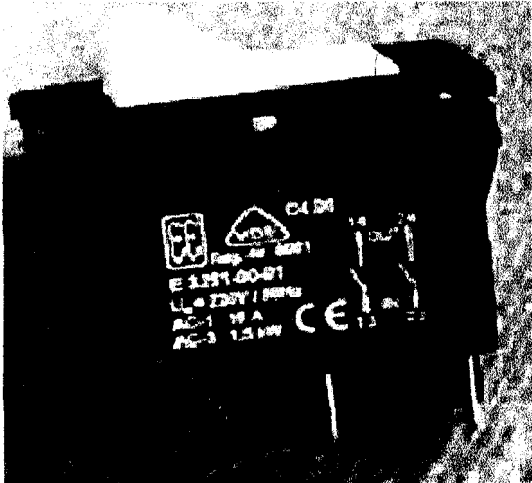
EICHHOFF



Built-in switch

with restart protection due to voltage loss

3251-00-01, 3251-01-01



pic.: 3251-00-01

rocker switch operated, Snap-in

standard type:

3251-00-01; 230V / 50 Hz

ID: 506686

3251-01-01; 230V / 50 Hz

ID: 510050

(ext. coil connection)

other designs

(without approvals):

3251-0X-03 115 V / 50 Hz

3251-0X-04 115 V / 60 Hz

3251-0X-05 230 V / 60 Hz

3251-0X-06 240 V / 50-60 Hz

tested in conformity with:

DIN/VDE 0660 part 102;

IEC 947-4-1

id. card no.: 06661 ÜG;

CB - zert. No.: DE1 - 7429

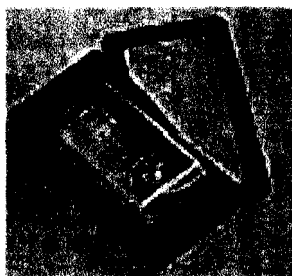
protection class: IP 40

switching current:

AC-1: 16A 230V

AC-3: 14,5A 230V

accessory:



pic.: cover ID: 510354
AAE003-251/Z016



pic.: 3251-01-01/10
ID: 510525

protection class:

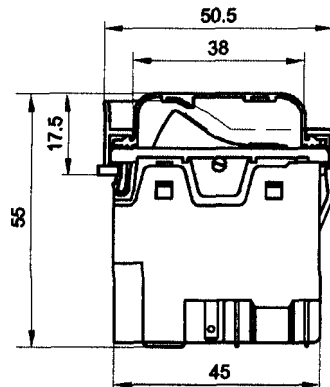
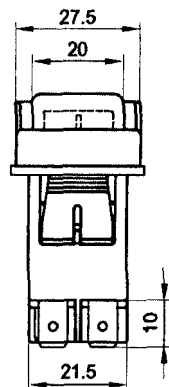
IP 54 (frontside)

IP 40 (backside)

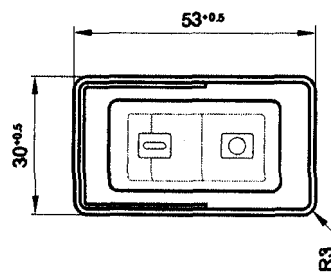
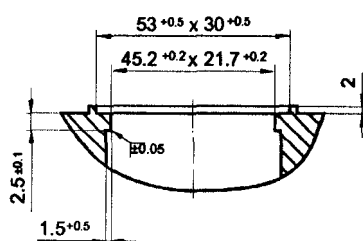
other data see

standard type

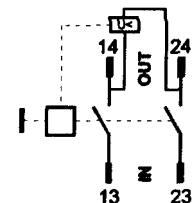
drawing:



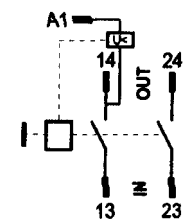
cut-out:



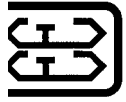
circuit diagramm:



E 3251-00-01/10

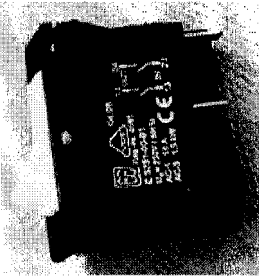


E 3251-01-01/10



E 3251 Built-in switch with restart protection

EICHHOFF



pic.: 3251-00-01

rocker switch operated
 fastening: Snap-in
 size: 52 x 50,5 x 45
 cut out: 45,2 x 21,7
 connection: faston 6,3 x 0,8
 faston 2,8 x 0,8

standard type:
 3251-00-01; 230V / 50 Hz
 ID: 506686
 RS 398-5178
 3251-01-01; 230V / 50 Hz
 ID: 510050
 (ext. coil connection)



pic.: cover ID: 510354
AAE003-251/Z016

RS 398-5190



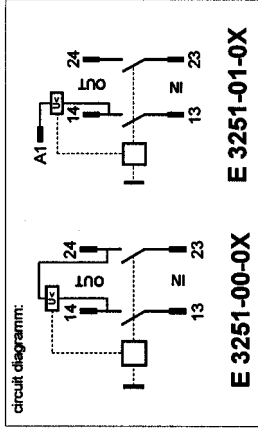
pic.: 3251-01-01/10
ID: 510525

testet in conformity with:
 DIN/VDE 0660 part 102
 IEC 947-4-1
id. card no.: 06661 ÜG
CB - Zert. no.: DE1 - 7429

protection class:
 IP 40
switching current:
 AC-1: 16A 230V
 AC-3: 14,5A 230V

other designs (without approvals):
 3251-0X-03 115 V / 50 Hz
 3251-0X-04 115 V / 60 Hz
 3251-0X-05 230 V / 60 Hz
 3251-0X-06 240 V / 50-60 Hz

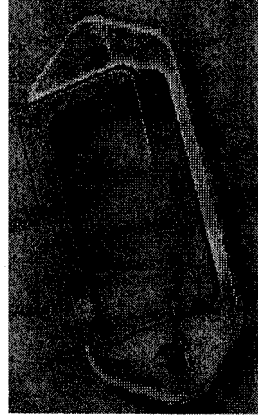
protection class:
 IP 54 (frontside)
 IP 40 (backside)
 other data see
 standard type



pic.: 3251-21-01

push button operated
 (red/green)
 flange mounting
 size: 74 x 62 x 35
 fixing size: 62 mm
 cut out: 45,2 x 21,7
 connection: faston 6,3 x 0,8
 faston 2,8 x 0,8

standard type:
 3251-20-01; 230V / 50 Hz
 ID: 510946
RS 398-5263
 3251-21-01; 230V / 50 Hz
 ID: 511074
 (ext. coil connection)
RS 398-5279



pic.: cover ID: 511537
AAE003-251/Z037

RS 398-5285

testet in conformity with:
 DIN/VDE 0660 part 102
 IEC 947-4-1
id. card no.: 06661 ÜG
CB - Zert. no.: DE1 - 7429

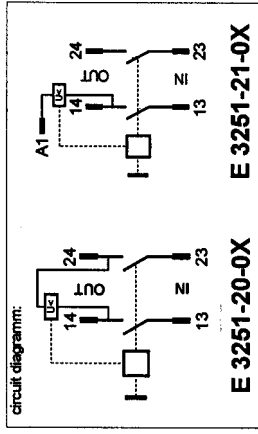
protection class:
 IP 65 (frontside)
 IP 40 (backside)
switching current:
 AC-1: 16A 230V
 AC-3: 14,5A 230V

other designs:
 (without approvals)
 3251-2X-03 115 V / 50 Hz
 3251-2X-04 115 V / 60 Hz
 3251-2X-05 230 V / 60 Hz
 3251-2X-06 240 V / 50-60 Hz



pic.: 3251-21-01/10
ID: 511646

RS 398-5291

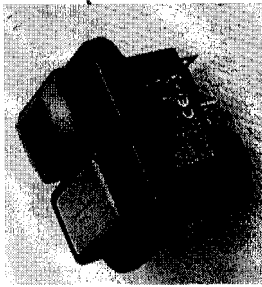


protection class:
 protection against
 coarse pollution
 (frontside)
 other data see
 standard type



E 3251 Built-in switch with restart protection

EICHHOFF



pic.: 3251-21-01/52 ID: 511624

398-5229

push button operated
(red/green)

flange mounting

size: 60 x 57 x 54

fixing size: 42 mm

cut out: 45,2 x 21,7

connection: faston 6,3 x 0,8

faston 2,8 x 0,8

standard type:

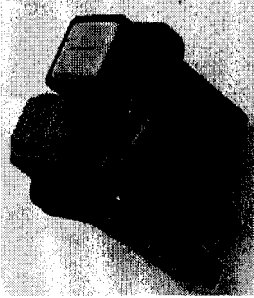
3251-20-01/52; 230V / 50 Hz
ID: 511644

3251-21-01/52; 230V / 50 Hz
ID: 511624
(ext. coil connection)

accessory:



pic.: protection cap ID: 511615
AAE003-251/029



pic.: 3251-21-01/51
ID: 511475

testet in conformity with:

DIN/VE 0660 part 102
IEC 947-4-1

id.- card no.: 06661 ÜG
CB - Zert. no.: DE1-7429

protection class:

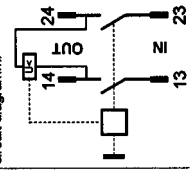
IP 65
(frontside)
IP 40
(backside)

switching current:
AC-1: 16A 230V
AC-3: 14,5A 230V

with protection cap
IP 50 (backside)

other data see
standard type

circuit diagram:

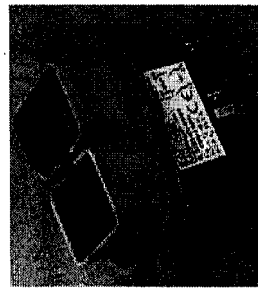


E 3251-20-0X/5X

E 3251-21-0X/5X

other designs (without approvals):

3251-2X-03/5X 115 V / 50 Hz
3251-2X-04/5X 115 V / 60 Hz
3251-2X-05/5X 230 V / 60 Hz
3251-2X-06/5X 240 V / 50-60 Hz



pic.: 3251-21-01/92 ID: 511705

push button operated
(red/green)

upper housing - yellow
flange mounting

size: 60 x 57 x 54

fixing size: 42 mm

cut out: 45,2 x 21,7

connection: faston 6,3 x 0,8

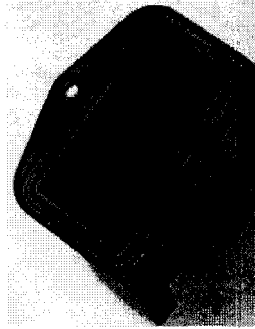
faston 2,8 x 0,8

standard type:

3251-20-01/91; 230V / 50 Hz
ID: 511704

3251-21-01/91; 230V / 50 Hz
ID: 511256
(ext. coil connection)

accessory:



pic.: protection cap ID: 511615
AAE003-251/029

testet in conformity with:

DIN/VE 0660 part 102
IEC 947-4-1

id.- card no.: 06661 ÜG
CB - Zert. no.: DE1-7429

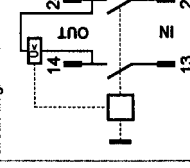
protection class:

IP 65
(frontside)
IP 40
(backside)

switching current:
AC-1: 16A 230V
AC-3: 14,5A 230V

with protection cap
IP 50 (backside)
shock resistance: 30g
endurance limit: 8g
other data see
standard type

circuit diagram:



E 3251-20-0X/9X

E 3251-21-0X/9X

other designs (without approvals):

3251-2X-03/9X 115 V / 50 Hz
3251-2X-04/9X 115 V / 60 Hz
3251-2X-05/9X 230 V / 60 Hz
3251-2X-06/9X 240 V / 50-60 Hz