



### Electrical features

Number of poles		1
Rated insulation voltage Ui	V	1000
IEC Conventional free air thermal current Ith ≤ 40°C	A	150
Conventional free air thermal current Ith UL/CSA	A	150
Rated peak withstand current Ipk	kA	30
Rated short time current Icw 1s	kA	4.2
Short circuit rating (UL)	kA	10

### Connections

Terminal hole diameter_Option 1	mm	1x10mm
Conductor section connectable_Option 1	mm <sup>2</sup> AWG	10...35 8...1/0
Tightening torque Max_Option 1	Nm lbin	8.5 75
Terminal hole diameter_Option 2	mm	1x7.5mm
Conductor section connectable_Option 2	mm <sup>2</sup> AWG	6..16 14...2
Tightening torque Max_Option 2	Nm lbin	3.5 31
Terminal hole diameter_Option 3	mm	6x6mm
Conductor section connectable_Option 3	mm <sup>2</sup> AWG	2.5...16 14...4
Tightening torque Max_Option 3	Nm lbin	3.5 31

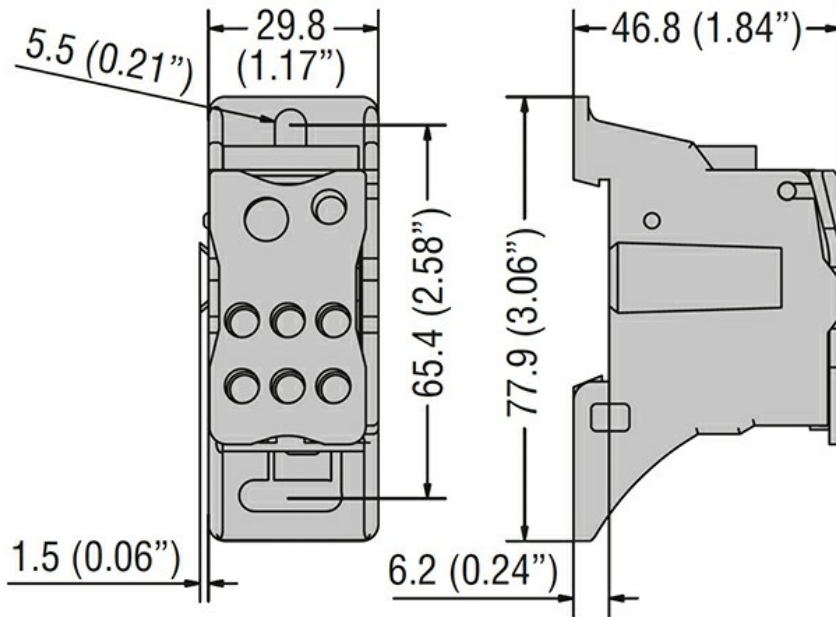
### Mechanical features

Operating position	normal allowable	Vertical plane Any
Fixing		Screw / DIN rail 35mm
Metric Allen Key	mm	3-6
Weight	g	154

### Resistance & Protection

Terminals IP degree		IP20 front
---------------------	--	------------

### Dimensions



### Certifications and compliance

#### Certifications

IEC/EN/BS 60947-7-1

#### Compliance

cURus

### ETIM classification

EC000066 - Power contactor, AC switching