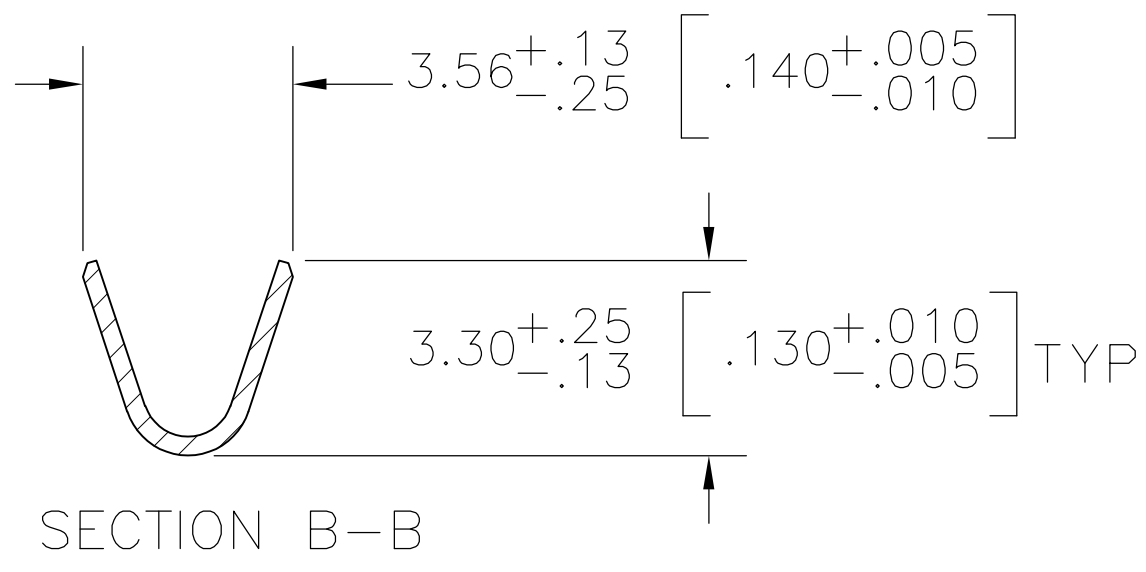
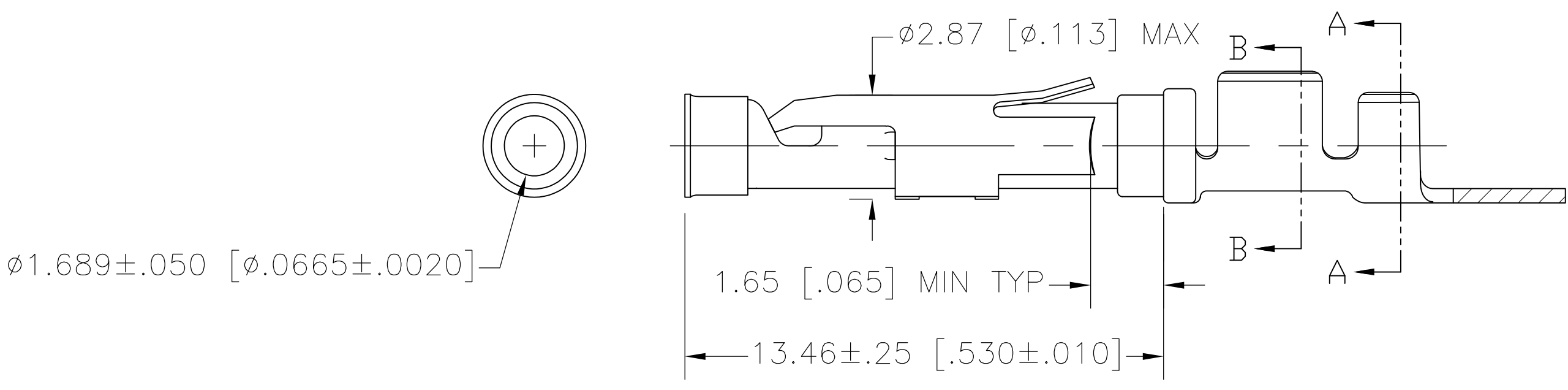
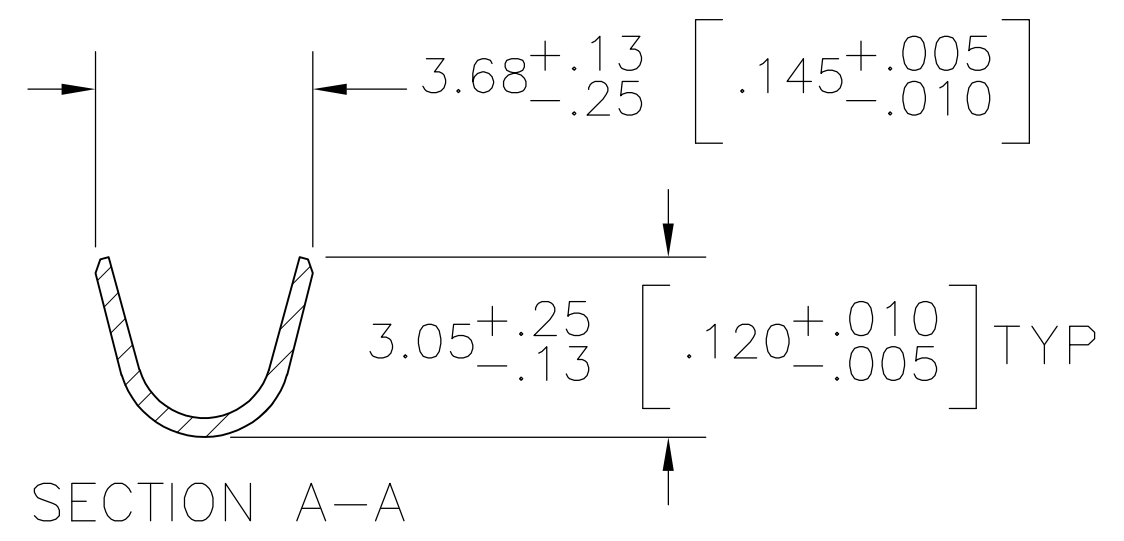
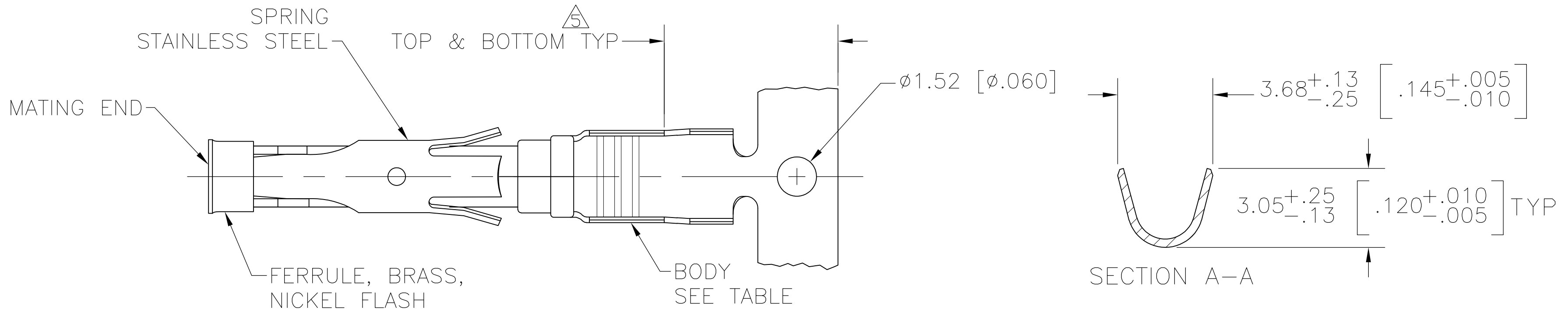


THIS DRAWING IS UNPUBLISHED. RELEASED FOR PUBLICATION
 © COPYRIGHT - By - ALL RIGHTS RESERVED.

LOC		DIST		REVISIONS			
P	LTR	DESCRIPTION		DATE	DWN	APVD	
AF1		REVISED PER ECO-11-004587		11MAR11	RK	HMR	



Ø1.689 ±.050 [Ø.0665 ±.0020]

- 1 .076µm [.000030] MIN GOLD PER MIL-G-45204 ON MATING END FOR A LENGTH OF 5.08 [.200] MIN WITH GOLD FLASH ON THE REMAINDER OVER 0.76µm [.000030] MIN NICKEL PER QQ-N-290.
- 2 1.27µm [.000050] MIN TIN-LEAD PER MIL-T-10727 OVER 0.76µm [.000030] MIN NICKEL PER QQ-N-290.
- 3 0.76µm [.000030] MIN GOLD PER MIL-G-45204 ON MATING END FOR A LENGTH OF 5.08 [.200] MIN WITH A UNIFORM GRADIENT TO 0.25 [.000010] MIN GOLD PER MIL-G-45204 ON THE REMAINDER OVER 0.76µm [.000030] MIN NICKEL PER QQ-N-290.
- 4 0.38µm [.000015] MIN GOLD PER MIL-G-45204 ON MATING END FOR A LENGTH OF 5.08 [.200] MIN WITH GOLD FLASH ON THE REMAINDER OVER 0.76µm [.000030] MIN NICKEL PER QQ-N-290.
- 5 GOLD PLATING NEED NOT APPEAR IN THIS AREA.
- 6 REVERSE REELED FOR MINI-APPLICATOR.
- 7 WIRE RANGE 18-14 AWG. INSULATION RANGE 2.03 [.080]-2.54 [.100].
- 8 0.38µm [.000015] MIN GOLD PER MIL-G-45204 ON MATING END FOR A LENGTH OF 5.08 [.200] MIN, 1.27µm [.000050] MIN TIN-LEAD PER MIL-T-10727 FOR A LENGTH OF 5.69 [.224] MIN ON OPPOSITE END, BOTH OVER 1.27µm [.000050] MIN NICKEL PER QQ-N-290 ON ENTIRE CONTACT.
- 9 1.27µm [.000050] MIN TIN PER MIL-T-10727 OVER 0.6µm [.000030] MIN NICKEL PER QQ-N-290.
- 10 2.54µm [.000100] MIN SILVER OVER 0.76µm [.000030] MIN NICKEL PER QQ-N-290.
- 11 OBSOLETE PARTS: OBSOLETE CIS STREAMLINING PER D.RENAUD/D.SINISI

REV	DATE	DESCRIPTION	QTY	REF
6	10	BRASS	-	2-66358-3
6	9	BRASS	-	2-66358-2
6	9	CU-NI ALLOY	1-66360-6	2-66358-1
6	2	CU-NI ALLOY	1-66360-5	2-66358-0
6	1	CU-NI ALLOY	1-66360-4	1-66358-9
6	9	PHOSPHOR BRONZE	-	1-66358-8
STANDARD	9	BRASS	1-66360-2	1-66358-7
6	9	BRASS	1-66360-2	1-66358-6
OBSOLETE	6	BRASS	66360-9	1-66358-5
SUP BY 1-66358-6	6	BRASS	-	1-66358-4
6	1	PHOSPHOR BRONZE	66360-8	1-66358-3
OBSOLETE	6	PHOSPHOR BRONZE	66360-7	1-66358-2
6	1	BRASS	66360-4	1-66358-0
6	4	BRASS	66360-3	66358-9
6	2	BRASS	66360-2	66358-6
6	3	BRASS	66360-1	66358-5
STANDARD	1	BRASS	66360-4	66358-4
STANDARD	4	BRASS	66360-3	66358-3
STANDARD	2	BRASS	66360-2	66358-2
STANDARD	3	BRASS	66360-1	66358-1
REELING	BODY FINISH	BODY MATERIAL	LOOSE PIECE REF	PART NO.

THIS DRAWING IS A CONTROLLED DOCUMENT.

DWN: V. FURLER 23JUL2003
 CHK: G. STEINHAUER 23JUL03
 APVD: G. STEINHAUER 23JUL03

TE Connectivity

NAME: SOCKET ASSEMBLY, .062, TYPE III+

SIZE: A2 CAGE CODE: 00779 DRAWING NO: 66358 RESTRICTED TO: -

MATERIAL: SEE CALLOUTS FINISH: SEE CALLOUTS WEIGHT: - SCALE: 8:1 SHEET: 1 OF 1 REV: AF1

CUSTOMER DRAWING