

XS130B3PCM12

inductive sensor XS1 M30 - PNP NO&NC -
Flush - Sn15mm - 12..24VDC - M12



Main

| | |
|------------------------------------|---|
| Range of product | OsiSense XS |
| Series name | General purpose |
| Sensor type | Inductive proximity sensor |
| Device application | Mobile equipment Light hoisting |
| Sensor name | XS1 |
| Sensor design | Cylindrical M30 |
| Body type | Fixed |
| Detector flush mounting acceptance | Flush mountable |
| Material | Metal |
| Type of output signal | Discrete |
| Wiring technique | 4-wire |
| [Sn] nominal sensing distance | 15 mm |
| Discrete output function | 1 NO + 1 NC |
| Output circuit type | DC |
| Discrete output type | PNP |
| Electrical connection | 4 pins M12 male connector |
| [Us] rated supply voltage | 12...24 V DC with reverse polarity protection |
| Switching capacity in mA | <= 200 mA with overload and short-circuit protection |
| IP degree of protection | IP69K conforming to DIN 40050 IP65 conforming to IEC 60529 IP67 |

Complementary

| | |
|-------------------------|--|
| Safety level | SIL 2 conforming to EN/IEC 61508 PL = d conforming to EN/ISO 13849-1 SILCL 2 conforming to IEC 62061 |
| Safety reliability data | MTTFd = 1810 years PFHd = 62.9E-9 1/h SFF = 92 % DC = 74 % with appropriate safety controller |
| Service life | 20 yr |
| Thread type | M30 x 1.5 |
| Detection face | Frontal |
| Front material | PPS |
| Enclosure material | Nickel plated brass |
| Operating zone | 0...12 mm |
| Differential travel | 3...15% of Sr |
| Status LED | 1 LED yellow for output state |
| Supply voltage limits | 9...36 V DC |
| Switching frequency | <= 1000 Hz |
| Voltage drop | <= 2 V at closed state |
| Current consumption | 0...10 mA at no-load |
| Delay first up | <= 5 ms |
| Delay response | <= 0.3 ms |
| Delay recovery | <= 0.7 ms |
| Marking | CE |

| | |
|-----------------|--------|
| Threaded length | 33 mm |
| Height | 30 mm |
| Length | 54 mm |
| Product weight | 0.1 kg |

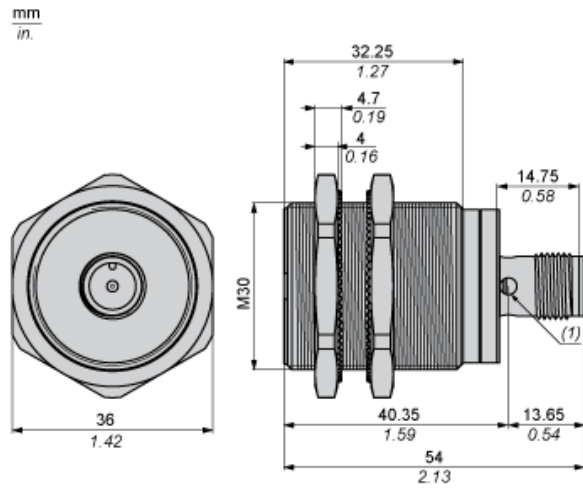
Environment

| | |
|---------------------------------------|---|
| Standards | EN/ISO 13849-1 IEC 62061 |
| Product certifications | CSA TÜV UL E2 |
| Ambient air temperature for operation | -25...70 °C |
| Ambient air temperature for storage | -40...85 °C |
| Vibration resistance | 25 gn amplitude = +/- 2 mm (f = 10...55 Hz) conforming to IEC 60068-2-6 |
| Shock resistance | 50 gn for 11 ms conforming to IEC 60068-2-27 |

Offer Sustainability

| | |
|--------------------------|---|
| Sustainable offer status | Not Green Premium product |
| RoHS (date code: YYWW) | Compliant - since 1513 - Schneider Electric declaration of conformity |
| REACH | Reference not containing SVHC above the threshold |

Dimensions



(1) LED

Minimum Mounting Distances

Side by side



e (1) 30 mm/1.18 in.

≥

Face to face



e (2) 180 mm/7.09 in.

≥

Facing a metal object



e (3) 45 mm/1.77 in.

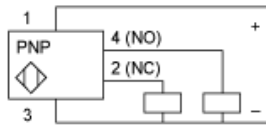
≥

Wiring Schemes

M12 connector

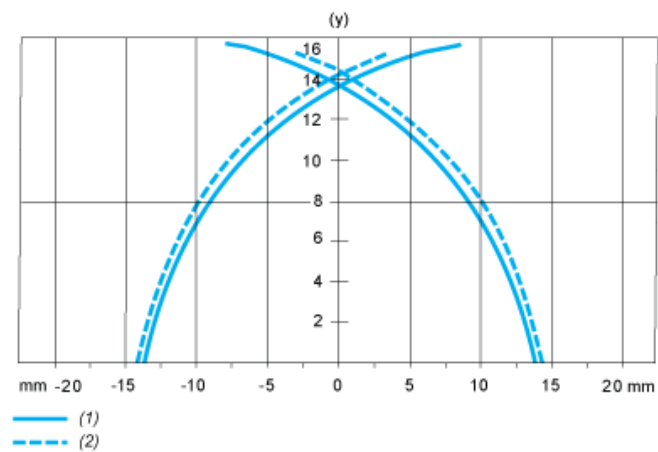


PNP 4-wire



Performance Curves

Standard Steel Target : 45x45x1 mm



- (1) Pick-up points
- (2) Drop-out points (object approaching from the side)
- (y) Sensing distance in mm