

# 62358-1 ✓ ACTIVE

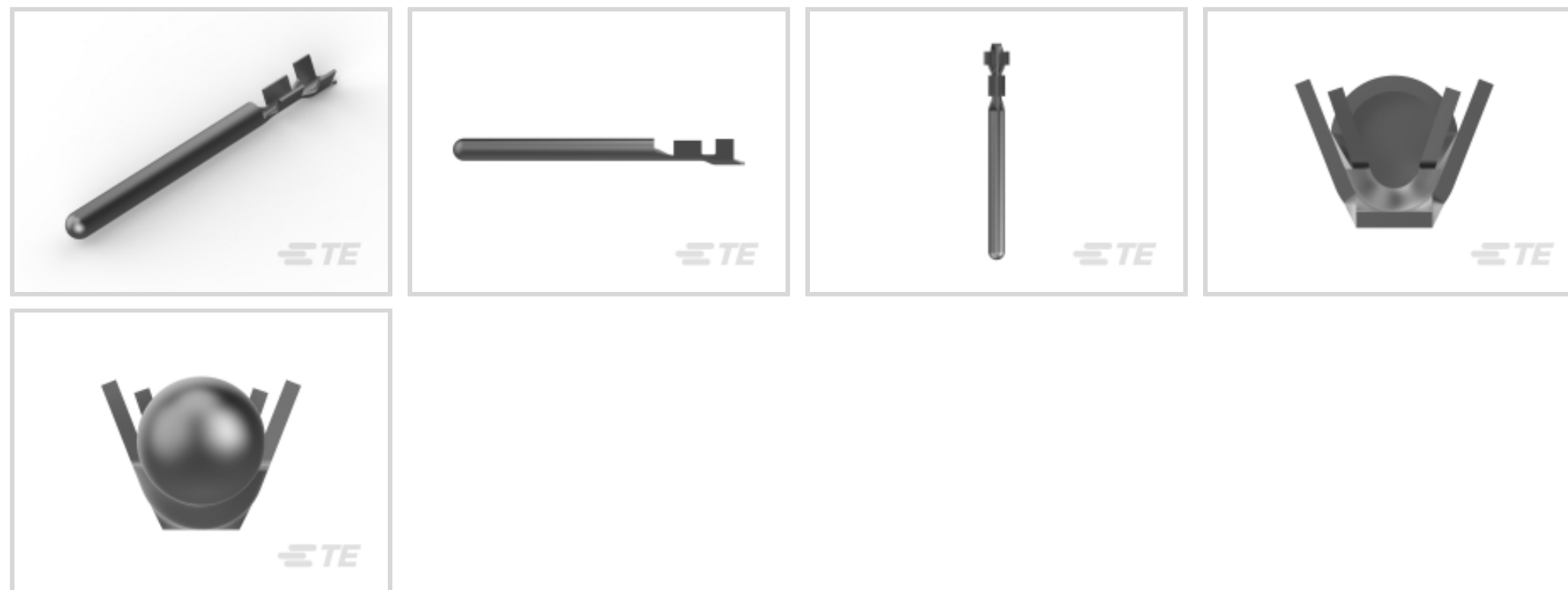
TE Internal #: 62358-1

Pin Terminal, 2.03 mm [.08 in] Pin Diameter, 24 – 20 AWG, .2 – .6 mm<sup>2</sup> Wire, 404 – 1021 CMA, 25.4 mm [1 in] Length, Open Barrel, Tin Plating, Reel

[View on TE.com >](#)



Terminals & Splices > Crimp Wire Pins, Tabs & Ferrules



Crimp Wire Terminal Type: **Pin Terminal**

Mating Pin Diameter: **2.03 mm [.08 in]**

Compatible Insulation Diameter Range: **1.07 – 1.85 mm, 1.85 mm [.042 – .073 in, .073 in]**

Wire Size: **.2 – .6 mm<sup>2</sup>**

## Features

### Product Type Features

Compatible With Discrete Wire Type

Solid, Stranded

### Configuration Features

Compatible With Wire & Cable Type

Discrete Wire

### Contact Features

Crimp Wire Terminal Type

Pin Terminal

Mating Pin Diameter

2.03 mm [.08 in]

Barrel Type

Open

Terminal Plating Material

Tin

Contact Shape & Form

Round

Terminal Orientation

Straight

### Mechanical Attachment

Wire Insulation Support

With

### Dimensions

Compatible Insulation Diameter Range

1.07 – 1.85 mm, 1.85 mm [.042 – .073 in] [.073 in]



Wire Size	404 – 1021 CMA
Barrel Inside Diameter	.76 mm, 1.75 mm [.03 in][.069 in]
Terminal Material Thickness	.24 mm [.01 in]
Overall Product Length	25.4 mm [1 in]

### Usage Conditions

Insulation Option	Uninsulated
-------------------	-------------

### Packaging Features

Packaging Quantity	8000
Packaging Method	Reel

### Product Compliance

[For compliance documentation, visit the product page on TE.com>](#)

EU RoHS Directive 2011/65/EU	Compliant
EU ELV Directive 2000/53/EC	Compliant
China RoHS 2 Directive MIIT Order No 32, 2016	No Restricted Materials Above Threshold
EU REACH Regulation (EC) No. 1907/2006	Current ECHA Candidate List: JUNE 2025 (250) Candidate List Declared Against: JUNE 2025 (250) Does not contain REACH SVHC
Halogen Content	Low Halogen - Br, Cl, F < 900 ppm per homogenous material. Also BFR/CFR/PVC Free
Solder Process Capability	Not applicable for solder process capability

#### Product Compliance Disclaimer

This information is provided based on reasonable inquiry of our suppliers and represents our current actual knowledge based on the information they provided. This information is subject to change. The part numbers that TE has identified as EU RoHS compliant have a maximum concentration of 0.1% by weight in homogenous materials for lead, hexavalent chromium, mercury, PBB, PBDE, DBP, BBP, DEHP, DIBP, and 0.01% for cadmium, or qualify for an exemption to these limits as defined in the Annexes of Directive 2011/65/EU (RoHS2). Finished electrical and electronic equipment products will be CE marked as required by Directive 2011/65/EU. Components may not be CE marked. Additionally, the part numbers that TE has identified as EU ELV compliant have a maximum concentration of 0.1% by weight in homogenous materials for lead, hexavalent chromium, and mercury, and 0.01% for cadmium, or qualify for an exemption to these limits as defined in the Annexes of Directive 2000/53/EC (ELV). Regarding the REACH Regulation, the information TE provides on SVHC in articles for this part number is based on the latest European Chemicals Agency (ECHA) 'Guidance on requirements for substances in articles' posted at this URL: <https://echa.europa.eu/guidance-documents/guidance-on-reach>

### Compatible Parts



TE Part # 626361-1  
WALL PLUG PIN 0.5/1.5 MM2 0.38X36.40 BR

TE Part # 170073-5  
PIN WITH LANCE .093 REC 24-20 PRE-TPBR

TE Part # 60885-2  
PIN .055 REC 24-20 AWG TPPHBZ

TE Part # 62505-1  
PIN 130 22-18 AWG .0157 X 1.020 BR

TE Part # 170073-2  
PIN WITH LANCE .093 REC 24-20 POST-TPBR

TE Part # 60115-1  
PIN 125 REC 22-20 AWG BR

TE Part # 61674-1  
PIN .109 .085 X .035 FLAT WIRE BR

TE Part # 61013-2  
PIN .109 (2.77 MM) 18-14 AWG TPBR

TE Part # 1742377-2  
PIN .080 DIA 30-26 AWG TPBR

TE Part # 626361-3  
WALL PLUG PIN 0.5/1.5MM2 0.38X36.40 NIBR

TE Part # 62820-1  
PIN 093 CRIMP TAB 22-16 AWG PTPBR

TE Part # 60115-4  
PIN 125 RECEPTACLE 22-20 AWG BR

TE Part # 63493-1  
112 DIA PIN 30-26 012 PTPBR

TE Part # 42428-5  
PIN TERMINAL RECEPTACLE 24-20 AWG TPPHBZ

TE Part # 62074-1  
PIN .125 (3.17 MM) 24-20 AWG 0.42 BR

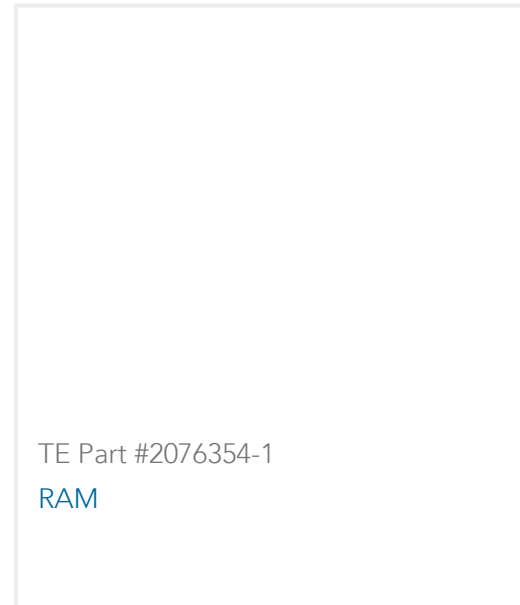
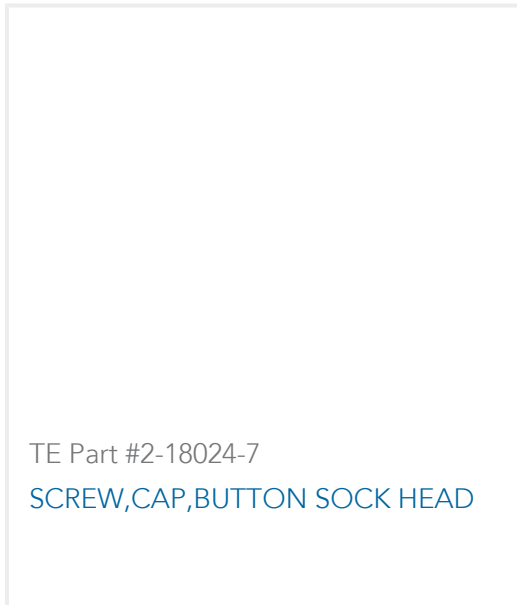
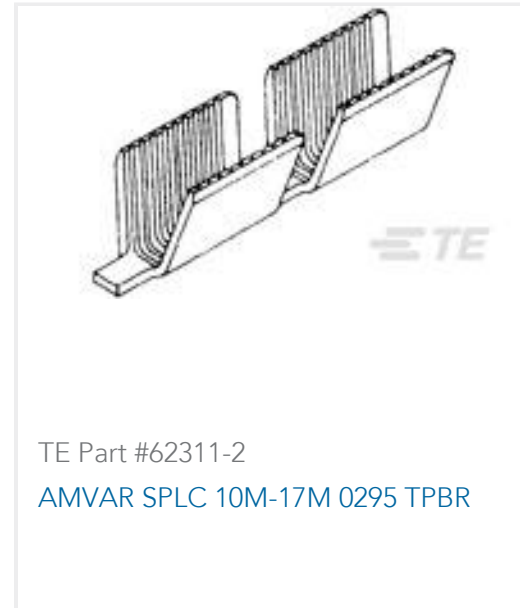
### Customers Also Bought

TE Part #41774  
250 FASTON REC 18-14 AWG TPBZ

TE Part #42751-2  
RING CRIMP 16-14 AWG TPBR

TE Part #42752-2  
RING CRIMP 16-14 AWG TPBR

TE Part #61863-2  
RING CRIMP 18-14 AWG TPBR



## Documents

### Product Drawings

[PIN .080 \(2.03 MM\) 24-20 AWG TPBR](#)

English

### CAD Files

[3D PDF](#)

3D

Customer View Model

[ENG\\_CVM\\_CVM\\_62358-1\\_T\\_c-62358-1-t.2d\\_dxf.zip](#)

English

Customer View Model

[ENG\\_CVM\\_CVM\\_62358-1\\_T\\_c-62358-1-t.3d\\_igs.zip](#)

English

Customer View Model

[ENG\\_CVM\\_CVM\\_62358-1\\_T\\_c-62358-1-t.3d\\_stp.zip](#)

English

By downloading the CAD file I accept and agree to the [Terms and Conditions](#) of use.