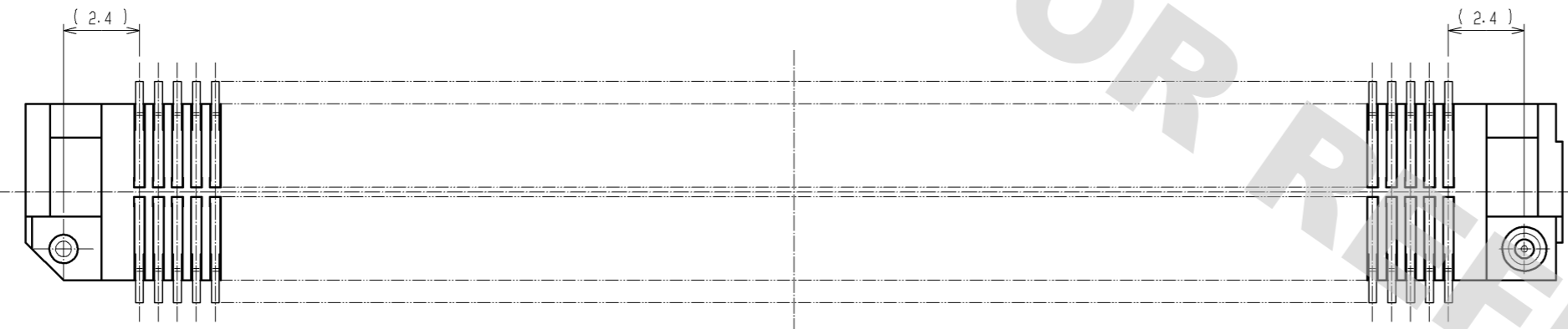
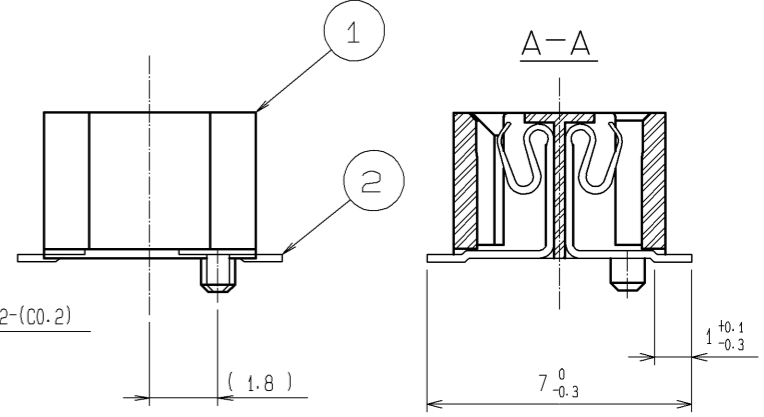
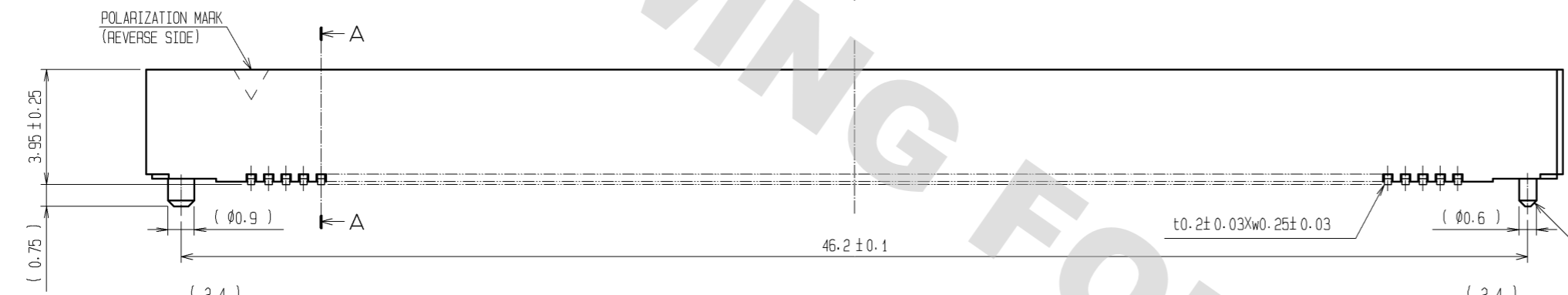
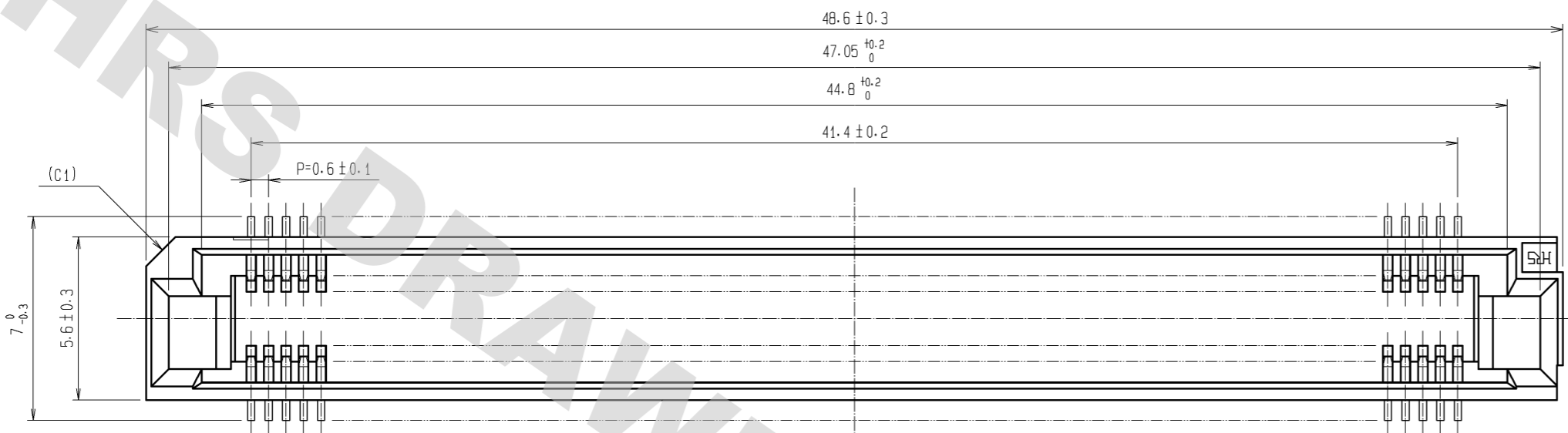
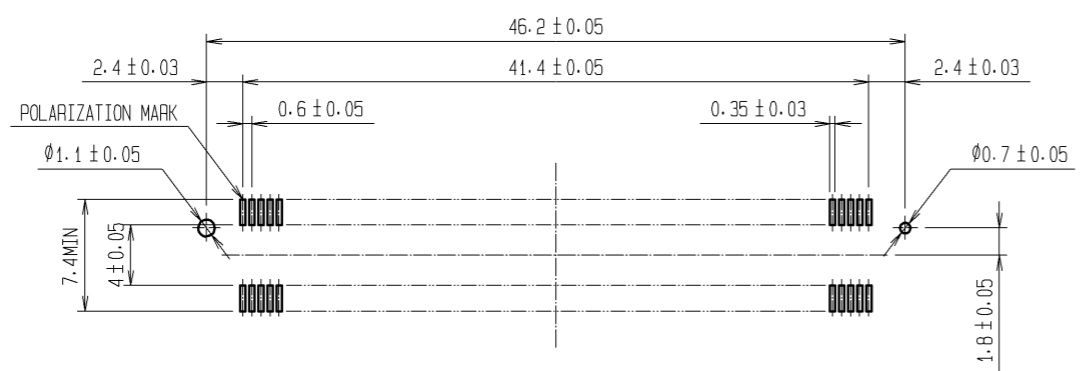


DRAWING FOR REFERENCE: This is subject to change without notice
08/11/2012



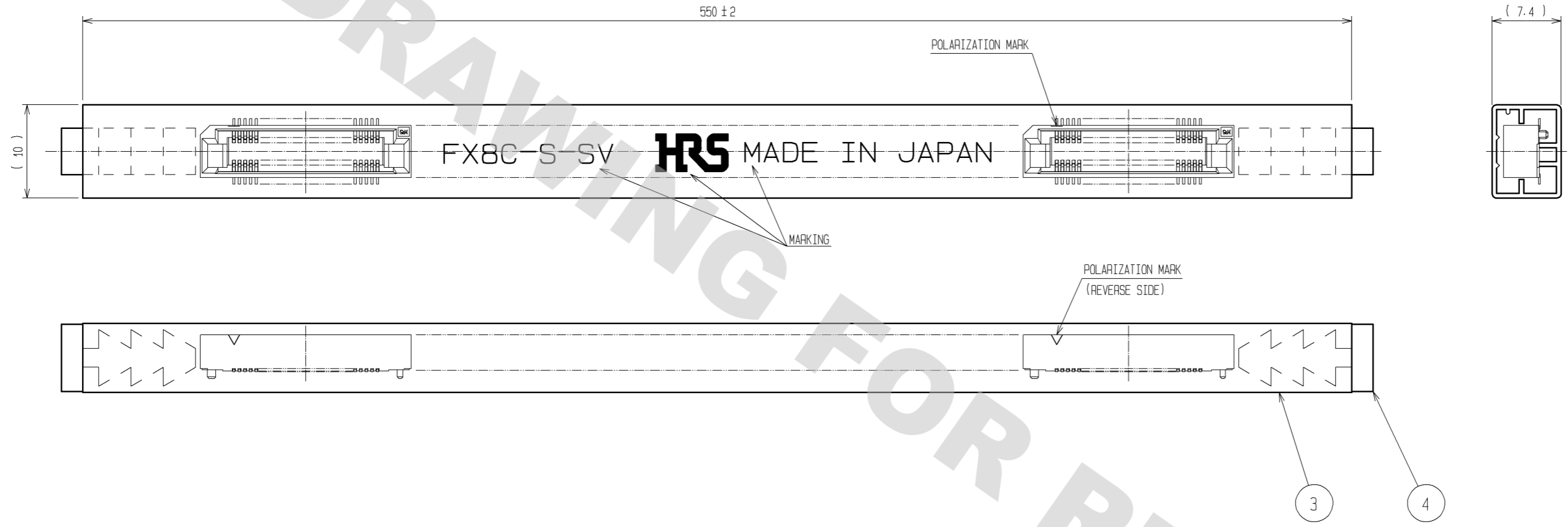
- NOTE 1. LEAD CO-PLANARITY SHALL BE 0.1mm MAX.
 2. TUBE PACKAGING SHALL BE APPLIED FOR THIS PRODUCT. SEE NEXT PAGE FOR DETAILS.
 3. FOR MODIFICATION, ETC., PREVENTIVE HOLE FOR SINK MARK MAY BE ADDED ACCORDING TO CIRCUMSTANCES.
 4. THE DIMENSIONS IN PARENTHESES ARE FOR REFERENCE.

RECOMMENDED LAND PATTERN DIMENSION OF PCB (MOUNTING SIDE) (2:1)
(RECOMMENDED METAL MASK THICKNESS: 0.15mm)



2	PHOSPHOR BRONZE	CONTACT AREA: GOLD 0.1µm min. LEAD AREA: GOLD 0.03µm min.						
1	PPS	UNDER PLATING: NICKEL 1.5µm min. LIGHT BROWN (UL94V-0)	4	POLYVINYL CHLORIDE (STOPPER)				
			3	POLYVINYL CHLORIDE (TUBE)				
NO.	MATERIAL	FINISH	REMARKS	NO.	MATERIAL	FINISH	REMARKS	
UNITS		SCALE	COUNT	DESCRIPTION OF REVISIONS		DESIGNED	CHECKED	DATE
mm		5 : 1	△					
HRS HIROSE ELECTRIC CO., LTD.		APPROVED : HS. OKAWA	10.05.21	DRAWING NO.		EDC3-150885-21		
		CHECKED : HT. YAMAGUCHI	10.05.20	PART NO.		FX8C-140S-SV(91)		
		DESIGNED : SY. KAMIGA	10.05.20	CODE NO.		CL578-0807-9-91		△ 1/2
		DRAWN : HK. SUNADORI	10.05.20					

DRAWING FOR PACKING(FREE)



NOTE 1. 1 TUBE : 10 CONNECTORS.
 2. THE DIMENSIONS IN PARENTHESES ARE FOR REFERENCE.

HRS	DRAWING NO.	EDC3-150885-21
	PART NO.	FX8C-140S-SV(91)
	CODE NO.	CL578-0807-9-91
		△ 2/2

DRAWING FOR REFERENCE: This is subject to change without notice
08/11/2012