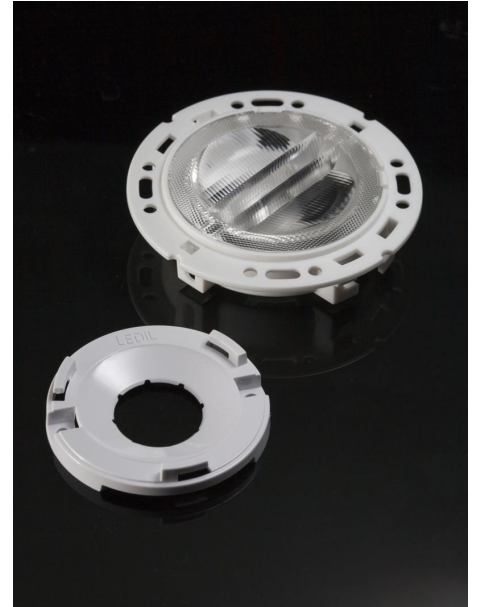


## DETAILS

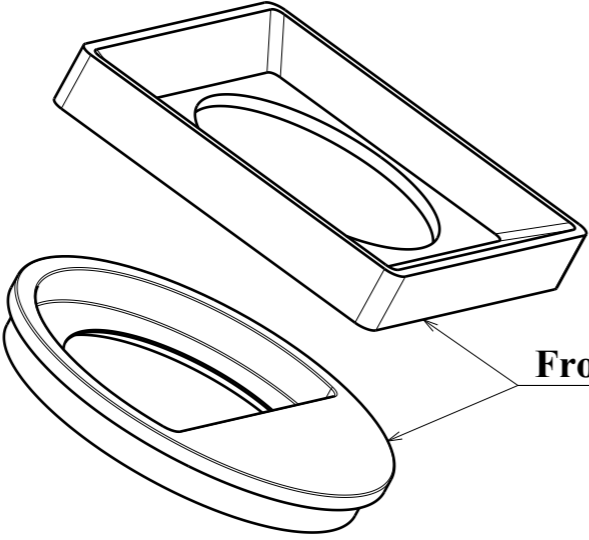
<b>Product Number</b>	FCN15366_RONDA-ZT45
<b>Family</b>	Ronda
<b>Type</b>	Assembly
<b>Color</b>	white
<b>Diameter</b>	69,9 mm
<b>Height</b>	20,66 mm
<b>Style</b>	round
<b>Optic Material</b>	PMMA
<b>Holder Material</b>	PC
<b>Fastening</b>	
<b>Status</b>	production ready
<b>ROHS Compliant</b>	Yes
<b>Date Updated</b>	21/07/2016



## OPTICAL PROPERTIES

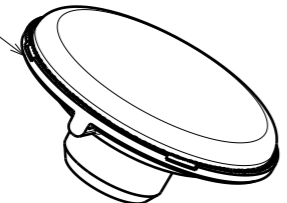
LED	Viewing	Light	Effi-		
	Angle	Beam	ciency	cd/lm	Connector
VERO13	sim: Asymmetric	sim: Asymmetric	sim: 81 %	sim: 0.000	LEDiL: LEDiL
V10	sim: Asymmetric	sim: Asymmetric	sim: 86 %	sim: 0.000	Bender Wirth: 455 Typ L1
CLL02x/CLU02x (LES10)	sim: Asymmetric	sim: Asymmetric	sim: 86 %	sim: 0.000	Bender Wirth: 434 Typ L1
CLU710	sim: Asymmetric	sim: Asymmetric	sim: 87 %	sim: 0.000	Bender Wirth: 470 Typ L1
CLU700	sim: Asymmetric	sim: Asymmetric	sim: 87 %	sim: 0.000	Bender Wirth: 434 Typ L1
CXA/B 13xx	sim: Asymmetric	sim: Asymmetric	sim: 88 %	sim: 0.000	Bender Wirth: 448 Typ L1
CXA/B 15xx	sim: Asymmetric	sim: Asymmetric	sim: 87 %	sim: 0.000	Bender Wirth: 441 Typ L1
CXA/B 1816 & CXA/B 1820 & CXA 1850	sim: Asymmetric	sim: Asymmetric	sim: 87 %	sim: 0.000	Bender Wirth: 437 Typ L1
LUXEON CoB 1202s	sim: Asymmetric	sim: Asymmetric	sim: 87 %	sim: 0.000	Bender Wirth: 452 Typ L1
Duris S10	sim: Asymmetric	sim: Asymmetric	sim: 87 %	sim: 0.000	LEDiL: LEDiL
Mini Zenigata (GW6BM)	sim: Asymmetric	sim: Asymmetric	sim: 86 %	sim: 0.000	Bender Wirth: 452 Typ L1

H G F E D C B A



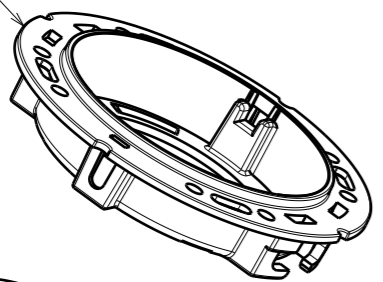
**Front plate examples**

D=49.9

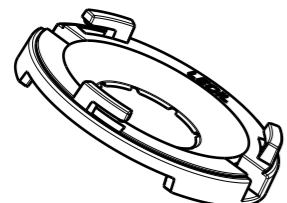


**Optic**

D=69.9mm



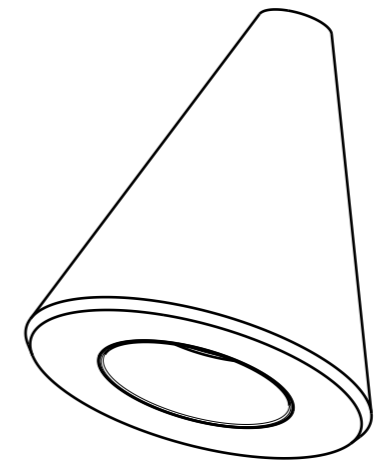
**Ledil-clamp / TE / Bender-wirth / other twist and lock socket types (holder A)**



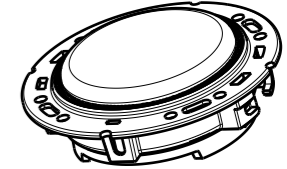
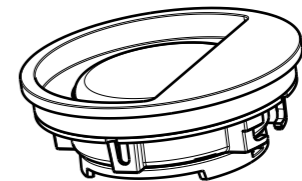
**BJB and Stucchi 50mm (holder B)**



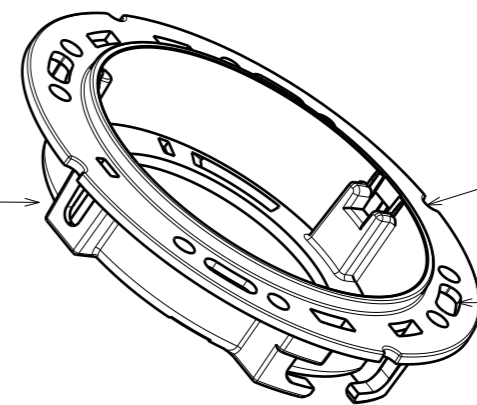
**LES size up to ~14mm, see compatibility [www.ledil.com](http://www.ledil.com)**



**Examples**



**Horizontal fix: M3 Nut + bolt**



**Rotation fix**

**Vertical fix: M3 Screw / Twist and lock / Snap**

4

4

3

3

2

2

1

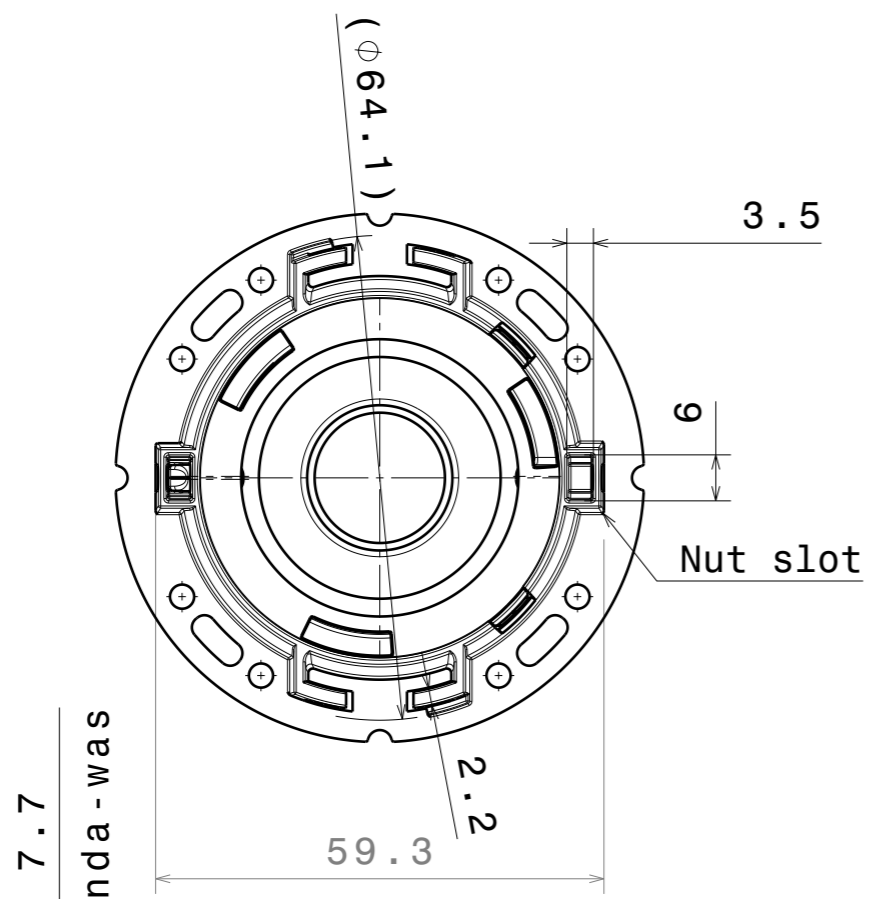
1

See more details on page 2 and 3

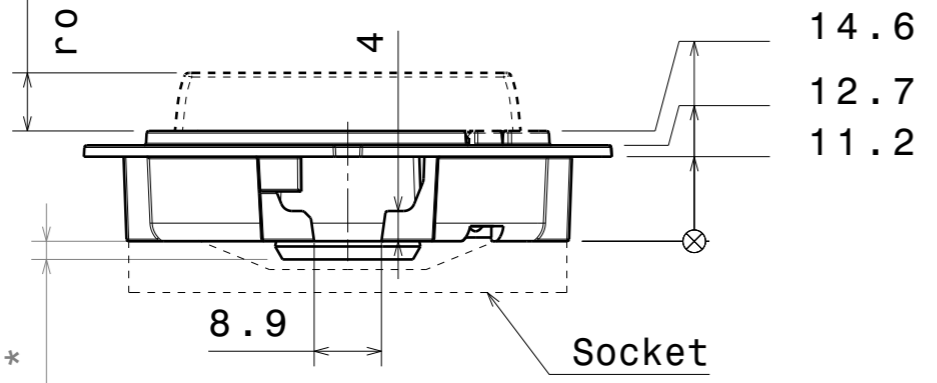
Tolerances if not otherwise shown According to DIN ISO 2768-1 Linear measures: up to 30mm class M, otherwise class C According to DIN ISO 2768-2 Form and position: class L		<b>LEDiL</b> Ledil Oy Salorankatu 10 FIN 24240 SALO Finland	
THIRD ANGLE PROJECTION:		DRAWING TITLE <p style="text-align: center;"><b>RONDA-family</b></p>	
This drawing is the property of LEDiL Oy. It may not be reproduced, copied or communicated without a written agreement with LEDiL Oy.		SIZE <p style="text-align: center;"><b>A3</b></p>	PART NUMBER <p style="text-align: center;">-</p>
		SCALE 1:1	WEIGHT -
		SHEET 1/3	

H G B A

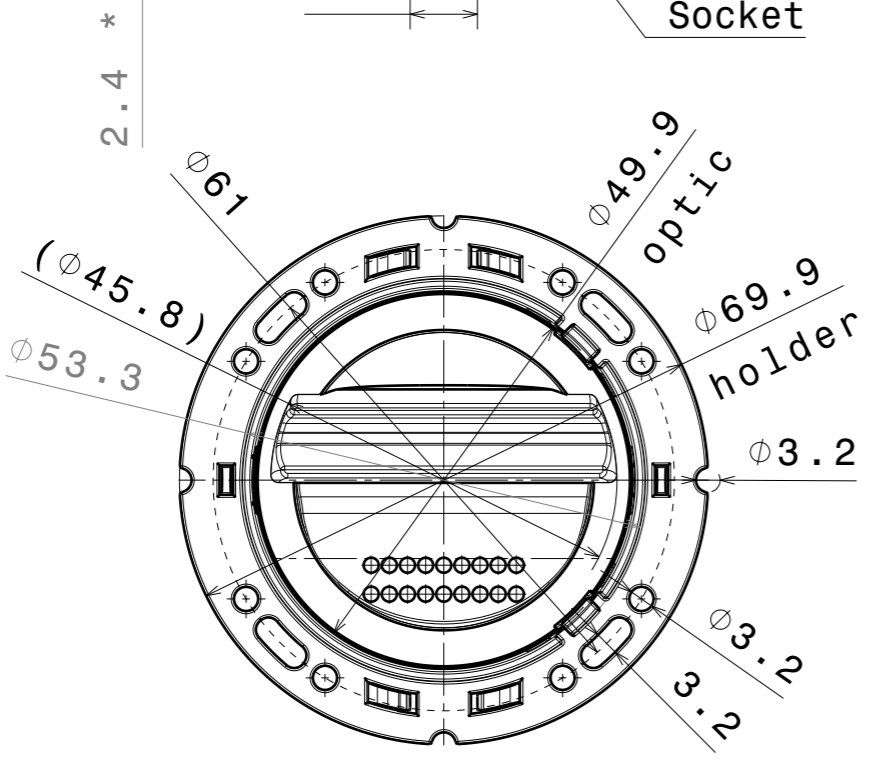
Bottom view



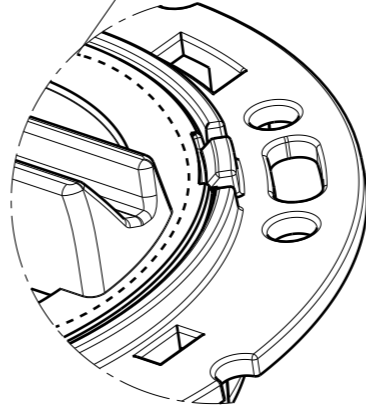
Front view



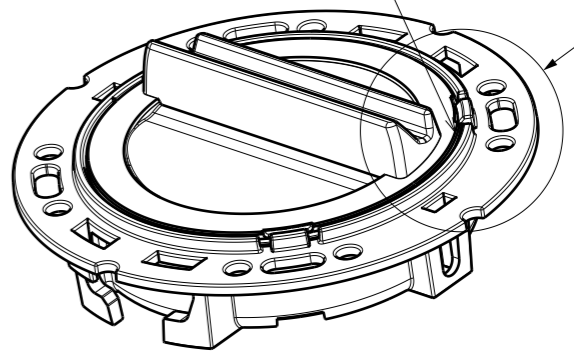
Top view



Front panel location suggestion when seamless look needed



Detail A



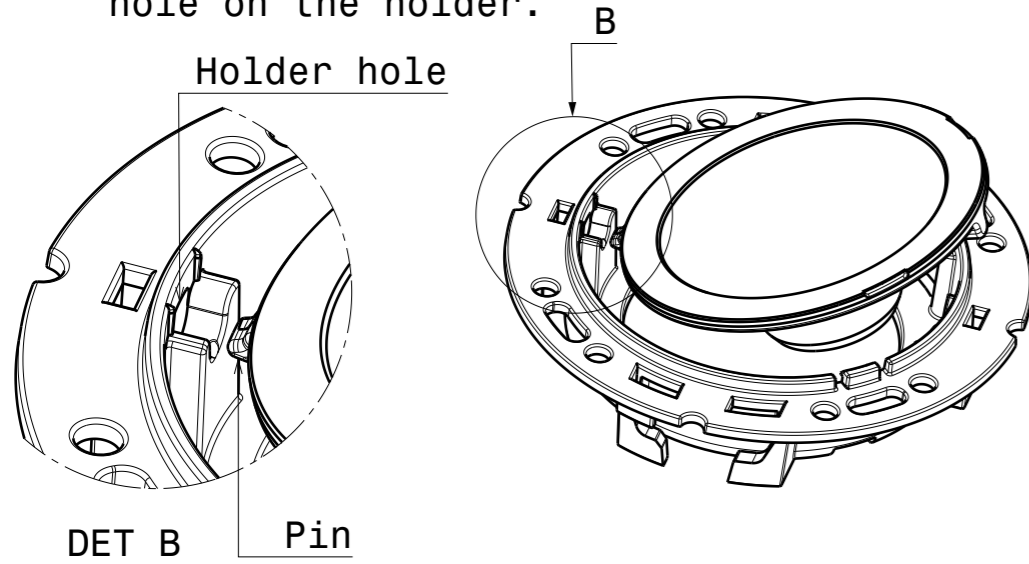
Isometric view

\* Ensure from 3d according specific optic version

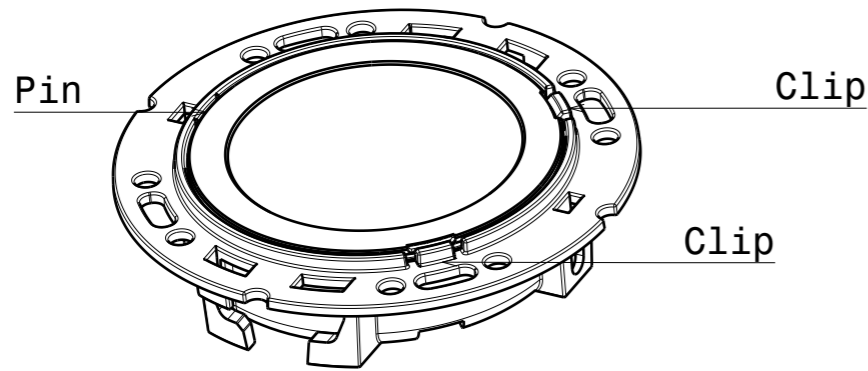
Tolerances if not otherwise shown According to DIN ISO 2768-1 Linear measures: up to 30mm class M, otherwise class C According to DIN ISO 2768-2 Form and position: class L		<b>LEDiL</b> Ledil Oy Salorankatu 10 FIN 24240 SALO Finland	
THIRD ANGLE PROJECTION:		DRAWING TITLE <h3 style="text-align: center;">RONDA-family</h3>	
This drawing is the property of LEDiL Oy. It may not be reproduced, copied or communicated without a written agreement with LEDiL Oy.		SIZE <b>A3</b>	PART NUMBER -
		SCALE 1:1	WEIGHT - SHEET 2/3

**OPTIC/HOLDER ASSEMBLY**

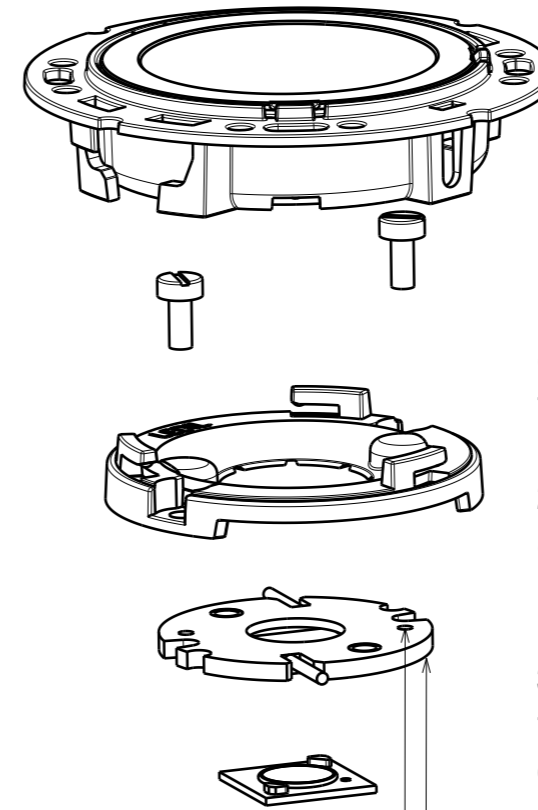
1. Place pin on the side of the lens into relative hole on the holder.



2. Press the lens under clips on the holder, ensuring both clips are fixed.



**TYPICAL CONNECTOR ASSEMBLY (including solderless BENDER WIRTH as example)**



1. Ensure correct relation of clamp and connector before screwing. Recommended torque 0.6Nm.

2. Assemble LED, BENDER&WIRTH connector and C13658\_CLAMP-VER013-18 clamp on heatsink with M3 screw.

3. Attach optic by aligning the holes in the holder with hooks and turning the optic holder clockwise until it locks.

Bender&Wirth model 4xx Typ L1

Align clamp positioning pin with holes in the connector.

Tolerances if not otherwise shown  
According to DIN ISO 2768-1  
Linear measures:  
up to 30mm class M, otherwise class C  
According to DIN ISO 2768-2  
Form and position: class L

**LEDiL** LediL Oy  
Salorankatu 10  
FIN 24240 SALO  
Finland

THIRD ANGLE PROJECTION:

DRAWING TITLE  
**RONDA-family**

This drawing is the property of LEDiL Oy. It may not be reproduced, copied or communicated without a written agreement with LEDiL Oy.

SIZE	PART NUMBER		
A3	-		
SCALE	1:1	WEIGHT	-
SHEET		3/3	

**NOTE: The typical divergence will be changed by different color, chip size and chip position tolerance. The typical total divergence is the full angle measured where the luminous intensity is half of the peak value.**

### **GENERAL INFORMATION**

- Product series especially designed & optimized for series of LEDs.
- Special care taken to make light distribution as uniform as possible.

Note! Due to use of high power COB's with this product, special attention to proper thermal design is highly recommended. LEDiL has no liability for direct, indirect or consecutive damages arising from the LEDiL products being used outside of the recommended temperature range.