

Data sheet

Art.No.: 92.944.3053.1

Connector GST18i4S S1 ZR1 SW

GST18i4 connector, 4 pole, male with screw connection, coding mains 250 V/ 400 V, 20 A, coding color black, strain relief color black



Art.No.	92.944.3053.1
EAN	4015573785625
Order Unit	1

Certificates / Approvals



Technical data

General

Rated current	20 A
Rated voltage	250 V / 400 V
Rated impulse voltage	4 kV
strain relief	Yes
Pollution degree	2
Mechanical coding	Code 1
Lockable	self-locking (unlocking by tool)
Color of coding/ contact carrier	black
Marking of poles	2, N, PE, 1
Color of housing inclusive strain relief	black

Connection Data

Cable diameter max.	11.5 mm
Cable diameter min.	6.8 mm
Connection cross section solid mm ² max.	2.5 mm ²
Connection cross section solid mm ² min.	0.75 mm ²
Connection cross section fine stranded mm ² max.	2.5 mm ²
Connection cross section fine stranded mm ² min.	0.75 mm ²
Terminations per pole	2
sheath strip length	38.5 mm
Wire strip length	7 mm

Model

Model	male
Connection type	Screw connection
Degree of protection (IP)	IP20

Material

Housing material	Polyamide
------------------	-----------

halogen free	Yes
Contact material	CuZn
Fire load	0.122 kWh
Insulation components continuous temperature	100 °C
Surface finish	Tin-plated

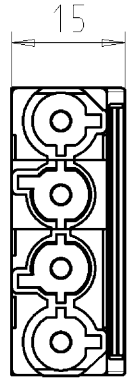
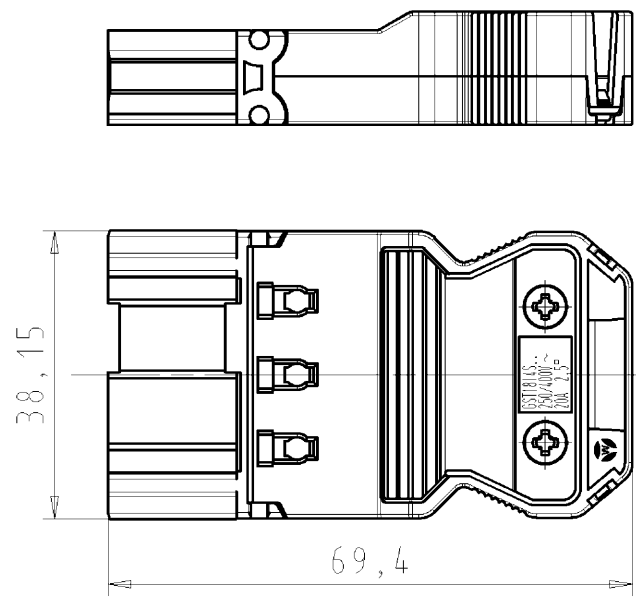
Dimensions

Length	69.4 mm
Width	38 mm
Height	15 mm

Classification

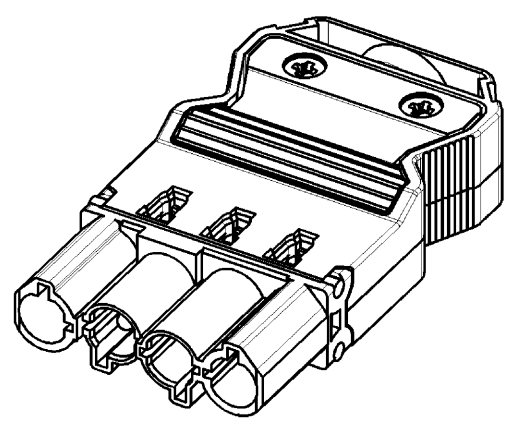
ECLASS 8.1	27440605
ETIM 7.0	EC002560
ETIM 6.0	EC002560
ETIM 5.0	EC002560
ETIM 4.0	EC002560

These dimensions will be especially checked at delivery
 Only inspection dimensions
 With /E marked dimensions are only valid for internal use



Diese Maße werden bei Abnahme besonders geprüft
 Ausschließlich Prüfmaße
 Mit /E gekennzeichnete Maße sind nur für interne Zwecke gültig

Weitere Daten siehe Katalog
 further data see catalog



Weitergabe sowie Vervielfältigung dieses Dokuments, Verwertung und Mitteilung seines Inhalts sind verboten, soweit nicht ausdrücklich gestattet. Die Reproduktion, Distribution und Utilization of this document as well as the communication of its contents to others without express authorization is prohibited.

Teile-Nr. part number	Farbe colour	Typ type	Kabel- ϕ cable- ϕ
92.944.3053.0	weiß/white	GST1814S S1 ZR1 WS	6,5-12,0
92.944.3053.1	schwarz/black	GST1814S S1 ZR1 SW	6,5-12,0

Tolerierung Size ISO 14405 (E)/Tolerance system Size ISO 14405 (E). (This ISO-standard describes the envelope principle. According to the envelope principle the deviations of form and parallelism are limited by the size tolerances). ja/yes Stoffverbots- und Deklarationsliste nach UU-TQM-05/03 ist einzuhalten. Conformity with Wieland document UU-TQM-05/03 (list of prohibited / declarable hazardous substances) to be declared!

Freitoleranz nach DIN ISO 2768 - m CAD - Zeichnung, keine manuellen Änderungen CAD - drawing, no manual modifications allowed I.Verwendung: - First Use: - Blatt: 1 von 1 Sheet: 1 of 1

 wieland Elektrische Verbindungen	Type siehe Tabelle see table Benennung/Tittle male connector with strain-relief STECKERTE IL_M_ZUGENTLASTUNG Schrb.-Anschl./screw connction, unmont./unassambled 250/400V AC, 20A, 2,5qmm	Zeichnung Nr./Drawing No. T 92.944.3053.0 01K a	Index a
Datum / Blatt Date / Sheet 19.10.2012/ Änderung/Revision			

929443053001K_2 CADW2036_treschan 2012-10-24T09:04:37 1.000