

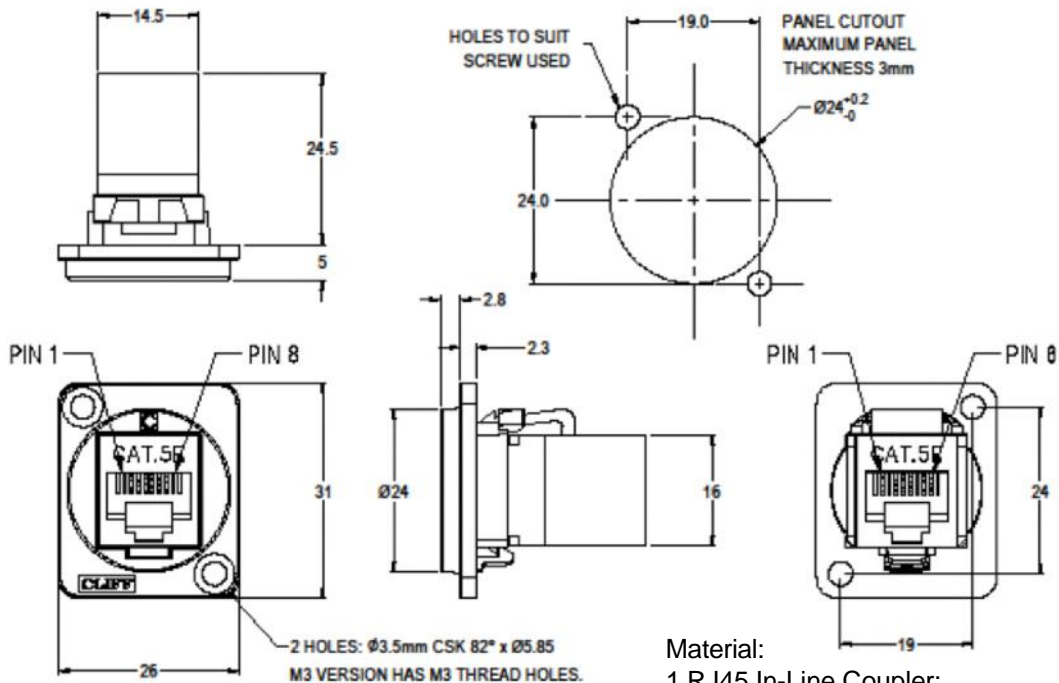


ENGLISH

Datasheet

RS PRO CAT5e RJ45 METAL M3 FEEDTHROUGH CONNECTOR

Stock No: 203-5594, 175-0143



Performance:

- 1.T568A & T568B wiring.
- 2.Meet ISO/IEC 11801 and EN50173
- 3.Meet ANSI/TIA/EIA 568B.2

rspro.com

Material:

- 1.RJ45 In-Line Coupler: PC/ABS, UL 94V-0, Black colour
- 2.RJ45 In-Line Coupler Contact: Phosphor Bronze, 3-50 micro inches gold plating over nickel plate.
- 3.PCB: FR4, UL 94V-0
- 4.Frame: Nickel or black plated zinc diecast

Features & Benefits:

- Fits standard XLR Ø24mm cutout.
- No soldering or punch termination. Use standard cable for each connector style.
- Front or rear mounted.
- Low rear profile

General:

Please note: Functionality is affected by cable quality, length and cable wiring configuration.

Other models available:

Part No.

203-5594 Cat5e RJ45 Metal frame, M3 holes

175-0143 Cat5e RJ45 Black metal frame, M3 Holes



rspro.com

