



LED Permanent Beacon



LED Traffic Light Combination with mounting bracket (accessory)



Clear lenses ensure signalling effect even in direct sunlight

- LED Beacon for traffic light combinations
- Clear signalling effect even in direct sunlight
- Maintenance-free LED technology
- Innovative fixing bracket for simple mounting

i TECHNICAL SPECIFICATIONS:

Life duration up to 50,000 hrs

Dimensions (Ø x Height):	150 mm x 154 mm
Housing:	PC/ABS-Blend, grey
Lens:	PC, transparent
Fixing:	Base mounting, bracket mounting (accessory), tube mounting (accessory)
Connection:	Screw terminal max. 1.5 mm ²
Installation position:	As required
Cable entry:	From top or bottom with cable gland M20 x 1.5 mm or from the back with rubber grommet Ø 6-12 mm, included in assembly.

🛒 ORDER SPECIFICATIONS:

Voltage	12-24 V DC	115 V AC	230 V AC
Current consumption	< 200 mA	< 35 mA	< 35 mA
red	890 120 55	890 120 67	890 120 68
green	890 220 55	890 220 67	890 220 68
yellow	890 320 55	890 320 67	890 320 68

🏠 ACCESSORIES:

FIXING BRACKET

Fixing bracket for one beacon	975 890 33
Fixing bracket for two beacons	975 890 34
Fixing bracket for three beacons	975 890 35
Fixing bracket for four beacons	975 890 37

Mounting material and connecting grommet included in assembly. Further information can be found on page 178.

CONNECTING GROMMET

Connecting grommet for traffic light combinations	975 890 25
---	-------------------

TUBE ADAPTOR

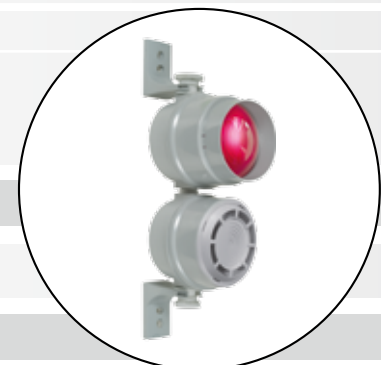
Adaptor for tube mounting (suitable for Ø 75 mm tubes, see page 195)	975 890 36
--	-------------------

⚠️ ADDITIONAL INFORMATION:

Traffic light configurator at www.werma.com

📐 TECHNICAL DIAGRAMS: see page 326

See note on page 347



The LED Beacon 890 in combination with Multi-Tone Sounder 190 (see page 216)





Permanent Beacon

Traffic Light Combination
with mounting bracket
(accessory)Permanent beacon
with two sockets

- Permanent Beacon for traffic light combinations
- Also with two bulb sockets for uniform safety, even in the case of bulb failure
- Innovative fixing bracket for simple mounting

TECHNICAL SPECIFICATIONS:

Dimensions (Ø x Height):	150 mm x 154 mm
Housing:	PC/ABS-Blend, grey
Lens:	PC, transparent
Socket:	E27 max. 25 W at 890 X00 00 2 sockets each E14 with max. 15 W at 890 X10 00 with adhesive stickers E27 max. 15 W
Fixing:	Base mounting, fixing bracket (accessory), tube mounting (accessory)
Connection:	Screw-free clamp mechanism max. 1.5 mm ²
Cable entry:	From top or bottom with cable gland M20 x 1.5 mm or from the back with rubber grommet Ø 6-12 mm, included in assembly

ORDER SPECIFICATIONS:

PERMANENT BEACON

Voltage	12-240 V AC/DC
red	890 100 00
green	890 200 00
yellow	890 300 00
clear	890 400 00
blue	890 500 00

PERMANENT BEACON WITH 2 SOCKETS (INCL. REFLECTOR)

Voltage	12-240 V AC/DC
red	890 110 00
green	890 210 00
yellow	890 310 00

Further colours and voltages on request.

ADDITIONAL INFORMATION:

Please also see LED Beacon/LED Traffic Light 890 with additional advantages (see p. 175)

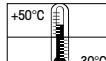
- Maintenance-free LED technology
- Life duration up to 50,000 hrs
- Clear signalling effect even in direct sunlight

Traffic light configurator at www.werma.com



ACCESSORIES: see next page

See note
on page 347





Beacon 890 in combination with Multi-Tone Sounder 190 (see page 216)



The adaptor (accessory) allows quick and simple mounting on a tube (Ø 75 mm)



890 with adhesive sticker (accessory)



ACCESSORIES:

FIXING BRACKET

Fixing bracket for one beacon	975 890 33
Fixing bracket for two beacons	975 890 34
Fixing bracket for three beacons	975 890 35
Fixing bracket for four beacons	975 890 37

Mounting material and connecting grommet included in assembly. Further information can be found on page 178.

CONNECTING GROMMET

Connecting grommet for traffic light combinations	975 890 25
---	------------

TUBE ADAPTOR

Adaptor for tube mounting (suitable for Ø 75 mm tubes)	975 890 36
--	------------

REFLECTOR

Additional reflector for 890 X00 00	975 890 02
-------------------------------------	------------

BULBS

LED bulb E27, 24 V	956 X20 75
LED bulb E27, 115 V	956 X20 67
LED bulb E27, 230 V	956 X20 68
X see page 167.	

Bulb E27, 24 V / 25 W	955 890 55
Bulb E27, 115 V / 25 W	955 890 67
Bulb E27, 230 V / 25 W	955 890 68
Bulb E14, 230 V / 15 W	955 890 38

ADHESIVE STICKERS:

→	975 890 52
STOP	975 890 53
START	975 890 54
⚡	975 890 64
✋	975 890 65



TECHNICAL DIAGRAMS:

see page 326





Fixing bracket for (LED) Beacons 890 and Multi-Tone Sounder 190

- Beacon/Traffic Light can be completely pre-assembled on the fixing bracket and connected before attachment
- Easy mounting in just a few steps
- Also suitable for Multi-Tone Sounder 190
- High Protection rating IP 65

i TECHNICAL SPECIFICATIONS:

Material Fixing bracket:	PC/ABS-Blend
Material Connecting Grommet:	PA 6.6
Assembly:	Fixing bracket with mounting material and connecting grommet Beacon not included in assembly.
Suitable for:	LED Beacon/LED Traffic Light 890 (see page 175) Permanent/Traffic Light Beacon 890 (see page 176) Multi-Tone Sounder 190 (see page 253)

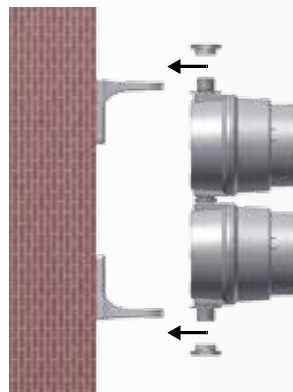
🛒 ORDER SPECIFICATIONS:

Fixing bracket for one beacon	975 890 33
Fixing bracket for two beacons	975 890 34
Fixing bracket for three beacons	975 890 35
Fixing bracket for four beacons	975 890 37

✓ NEW FIXING BRACKET FOR SIMPLE MOUNTING:

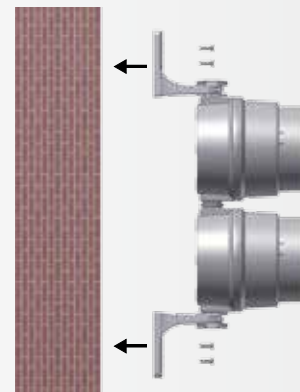
Method No. 1

- Attach the bracket to the wall
- Connect the pre-assembled Traffic Light/Multi-Tone Sounder
- Tighten the nuts on both sides



Method No. 2

- Connect and assemble the Traffic Light
- Attach the Traffic Light/Multi-Tone Sounder to the bracket and tighten the nuts on both sides
- Attach the complete bracket and Traffic Light/Multi-Tone Sounder to the wall



The fixing bracket can be mounted pointing inwards or outwards

📏 TECHNICAL DIAGRAMS:

see page 326

1 tier 158 g	2 tier 175 g	3 tier 195 g	4 tier 215 g		
-----------------	-----------------	-----------------	-----------------	--	--





LED Traffic Light (3 tier)



The direction of the optical signal can be individually adjusted



Clear lenses ensure signalling effect even in direct sunlight

- High visibility LED Traffic Light in an innovative, award-winning design
- Clear signalling even in direct sunlight thanks to clear lenses
- Simple mounting due to integrated mounting bracket
- Very good sideward visibility
- Protection rating IP 65/IP 69k

Life duration up to 50,000 hrs

TECHNICAL SPECIFICATIONS:

Dimensions (L x H x W):	2 tier: 85 mm x 309 mm x 136 mm	3 tier: 85 mm x 394 mm x 136 mm
Housing:	PC/ABS, grey	
Lens:	PC, transparent	
Fixing:	Wall mounting, tube mounting (accessory)	
Installation position:	Vertical/hanging	
Connection:	Screw terminal with wire protection	
	max. 1.5 mm ²	
Cable entry:	Cable diameter max. 13 mm	
Duty cycle:	100 %	

ORDER SPECIFICATIONS:

Voltage	24 V DC	115-230 V AC
Current consumption	60 mA (red/yellow)	30 mA per tier
	120 mA (green)	at 230 V/50 Hz
red / green	894 160 55	894 160 68
red / yellow / green	894 180 55	894 180 68

ACCESSORIES:

Fixing bracket underneath	975 894 01
Adaptor for tube mounting (suitable for Ø 75 mm tubes, see page 181)	975 894 02

ADDITIONAL INFORMATION:

"Small traffic light series" wins "iF product design award 2009"

WERMA has won the prestigious "iF product design award" for the design and production of its "small traffic light series".

Since its introduction in 1953, this design prize has been an enduring, renowned hallmark for "excellent" design.

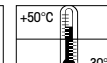
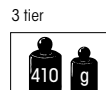
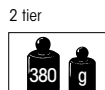


High visibility LED Traffic Light with integrated siren see page 214

TECHNICAL DIAGRAMS:

see page 326

See note on page 347





LED Beacon (1 tier)



The direction of the optical signal can be individually adjusted



The adaptor (accessory) allows quick and simple mounting on a tube

- High visibility LED Beacon/Traffic Light in an innovative, award-winning design
- Colour intensive light effect thanks to LEDs in the same colour as the lenses
- Simple mounting due to integrated mounting bracket
- Very good sideward visibility
- Protection rating IP 65/IP 69k

Life duration up to 50,000 hrs

TECHNICAL SPECIFICATIONS:

Dimensions (L x H x W):	1 tier: 85 mm x 224 mm x 136 mm
	2 tier: 85 mm x 309 mm x 136 mm
	3 tier: 85 mm x 394 mm x 136 mm
Housing:	PC/ABS, grey
Lens:	PC, transparent
Fixing:	Wall mounting, tube mounting (accessory)
Installation position:	Vertical/hanging
Connection:	Screw terminal with wire protection
	max. 1.5 mm ²
Cable entry:	Cable diameter max. 13 mm
Duty cycle:	100 %

ORDER SPECIFICATIONS:

Voltage	24 V DC	115-230 V AC
Current consumption	60 mA (red/yellow)	30 mA per tier
	120 mA (green)	at 230 V/50 Hz
red	894 010 55	894 010 68
green	894 020 55	894 020 68
yellow	894 030 55	894 030 68
red / green	894 060 55	894 060 68
red / yellow / green	894 080 55	894 080 68

ACCESSORIES:

Fixing bracket underneath	975 894 01
Adaptor for tube mounting (suitable for Ø 75 mm tubes)	975 894 02

ADDITIONAL INFORMATION:

Maximum flexibility

Thanks to the innovative bracket, the direction of the signal can be individually adjusted. After the bracket has been mounted, the customer can adjust the light direction to suit his requirements.

The LED traffic light can be turned through 360 degrees guaranteeing optimum visibility from all angles.



TECHNICAL DIAGRAMS:

see page 326

See note on page 347

CE EAC

1 tier 2 tier 3 tier

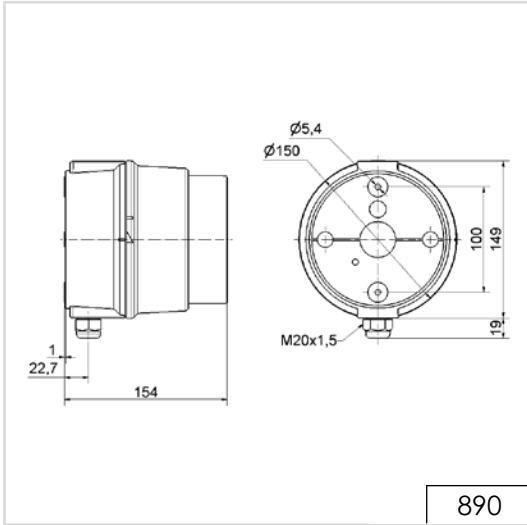
350 g 380 g 410 g

IP65/IP69k

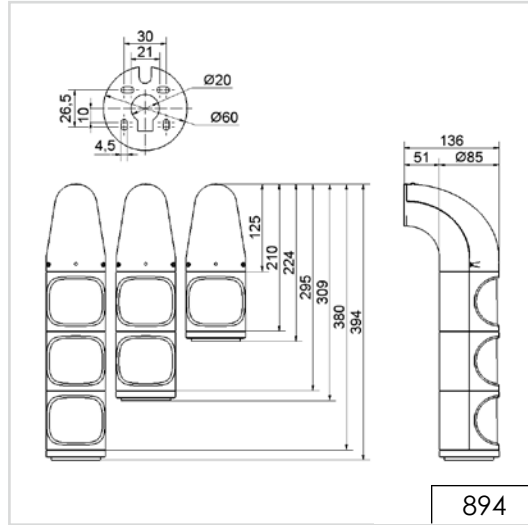
+50°C -30°C



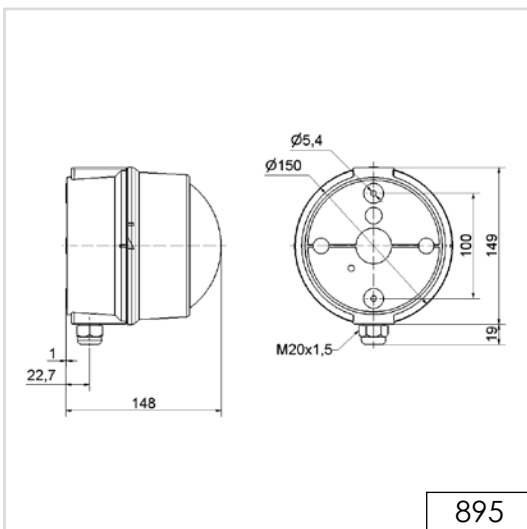
Technical Diagrams



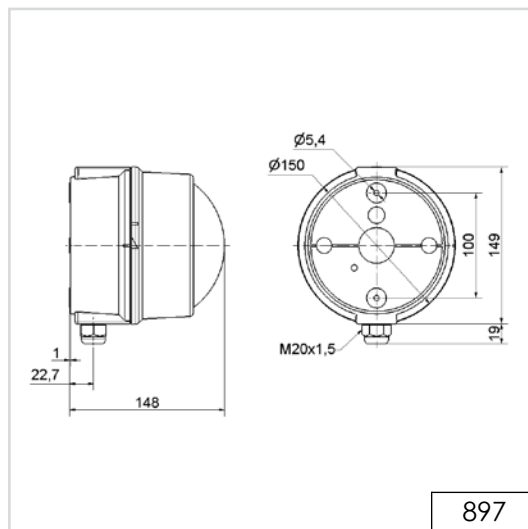
890



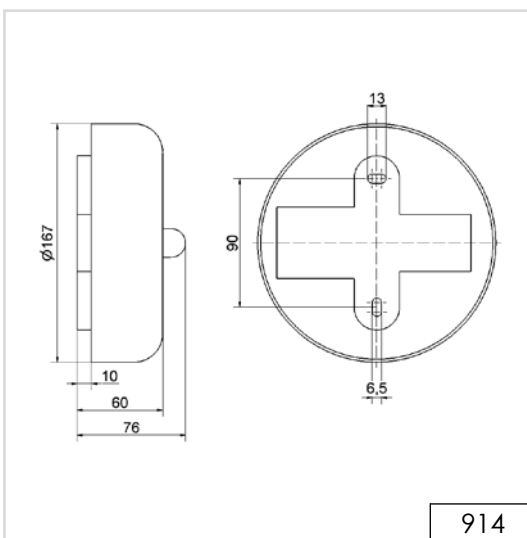
894



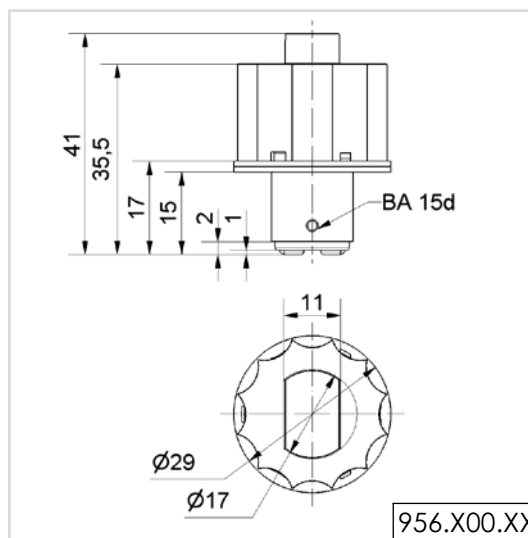
895



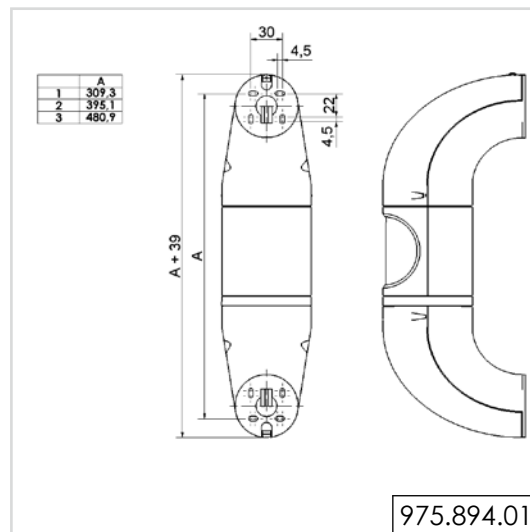
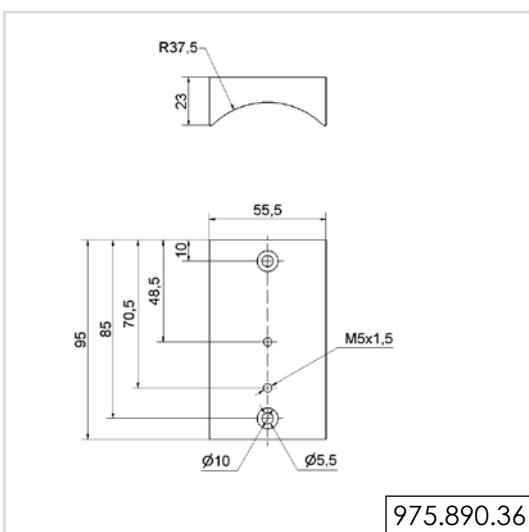
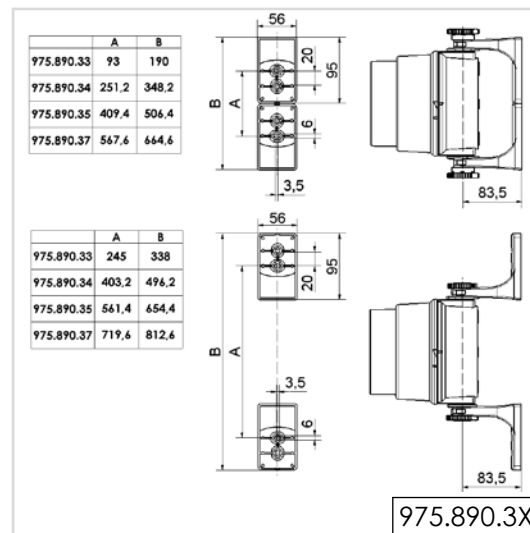
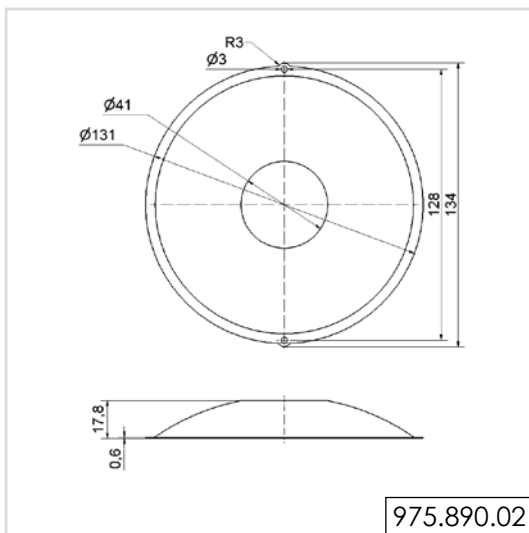
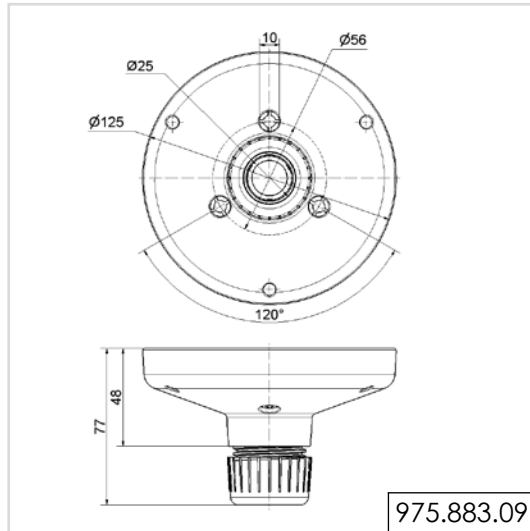
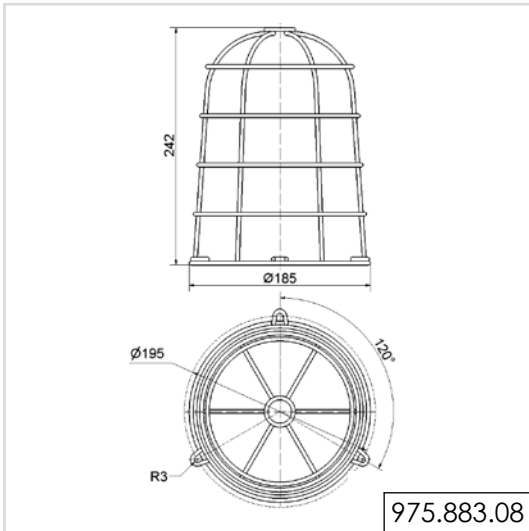
897



914



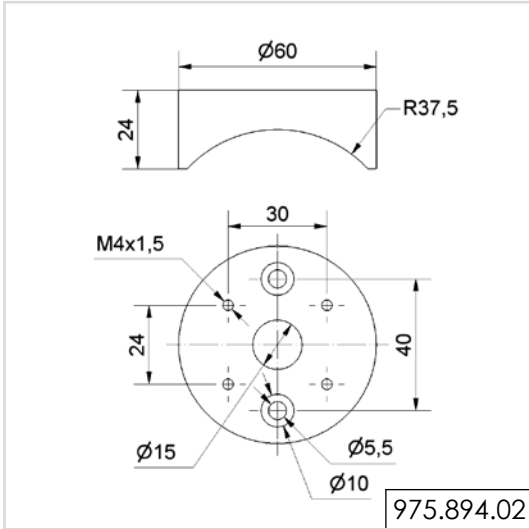
956.X00.XX



! ADDITIONAL INFORMATION:

You are welcome to request the technical diagrams in digital form. The relevant 3D models, instruction leaflets and connection diagrams can be obtained from us or downloaded from our homepage at any time.

Technical Diagrams



ADDITIONAL INFORMATION:

You are welcome to request the technical diagrams in digital form. The relevant 3D models, instruction leaflets and connection diagrams can be obtained from us or downloaded from our homepage at any time.