

# Datasheet

## Clamp Mount Transformer series, 230V

# RS Pro

The Clamp Mount Transformers 6VA to 50VA are high quality isolating transformers designed for use in general applications. The two independent secondary windings may be connected in series or parallel to give a wide range of output voltage and current options. Designed according to the following specifications.

- Low noise laminations
- Double section bobbin construction
- Fully shrouded bobbins
- 2-hole clap fixing
- Solder tag terminations
- Full varnish impregnation
- Optional terminal shrouds
- Detailed product specification on permanent label
- High efficiency, low regulation design
- 100% electrical and flash tested

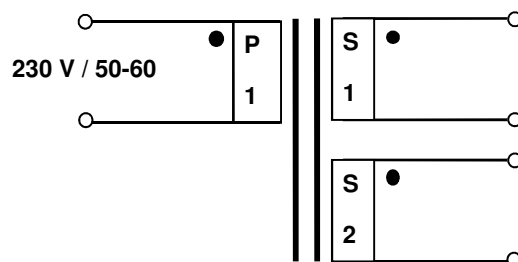


### Specifications

Power: 6 – 50 VA  
 Frequency: 50 / 60 Hz  
 Primary: 230 VAC  
 Secondary: 2x5, 2x 6,2x9, 2x12 ,  
 2x15,2x18,2 x 20 or 2 x 24 V  
 Isolation: 4 kV RMS  
 Temp class: Ta (70°) / B  
 Protection cl.: IP00  
 According to: EN61558-1 and  
 EN61558-2-6



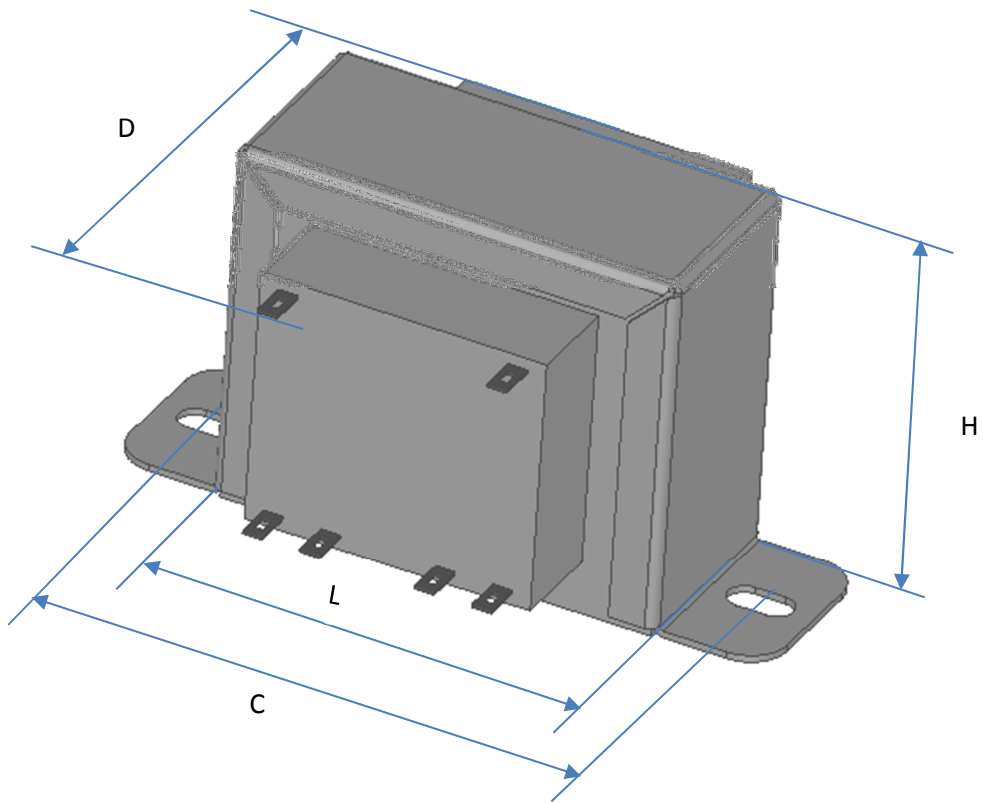
### Schematic/connections



**Ordering details:**

RS Stock number	Power VA	Specification	No-load voltage	According to
504694	6	Clamp mounting Transformer, 230V / 2x5V	6.5 V	EN61558-2-6
504767	6	Clamp mounting Transformer, 230V / 2x6V	8.0 V	EN61558-2-6
504690	6	Clamp mounting Transformer, 230V / 2x9V	11.8 V	EN61558-2-6
504779	6	Clamp mounting Transformer, 230V / 2x12V	15.5 V	EN61558-2-6
504773	6	Clamp mounting Transformer, 230V / 2x15V	19.5 V	EN61558-2-6
504757	6	Clamp mounting Transformer, 230V / 2x18V	24.5 V	EN61558-2-6
504789	6	Clamp mounting Transformer, 230V / 2x20V	26.9 V	EN61558-2-6
504739	6	Clamp mounting Transformer, 230V / 2x24V	32.0 V	EN61558-2-6
504735	12	Clamp mounting Transformer, 230V / 2x5V	5.75 V	EN61558-2-6
504745	12	Clamp mounting Transformer, 230V / 2x6V	6.8 V	EN61558-2-6
504600	12	Clamp mounting Transformer, 230V / 2x9V	10.35 V	EN61558-2-6
504741	12	Clamp mounting Transformer, 230V / 2x12V	13.6 V	EN61558-2-6
504751	12	Clamp mounting Transformer, 230V / 2x15V	17.2 V	EN61558-2-6
504606	12	Clamp mounting Transformer, 230V / 2x18V	20.3 V	EN61558-2-6
504599	12	Clamp mounting Transformer, 230V / 2x20V	22.7 V	EN61558-2-6
504616	12	Clamp mounting Transformer, 230V / 2x24V	27.2 V	EN61558-2-6
504612	20	Clamp mounting Transformer, 230V / 2x5V	5.7 V	EN61558-2-6
504593	20	Clamp mounting Transformer, 230V / 2x6V	7.0 V	EN61558-2-6
504561	20	Clamp mounting Transformer, 230V / 2x6.3V	7.35 V	EN61558-2-6
504577	20	Clamp mounting Transformer, 230V / 2x9V	10.3 V	EN61558-2-6
504571	20	Clamp mounting Transformer, 230V / 2x12V	13.9 V	EN61558-2-6
504587	20	Clamp mounting Transformer, 230V / 2x15V	17.5 V	EN61558-2-6
504583	20	Clamp mounting Transformer, 230V / 2x18V	20.9 V	EN61558-2-6
504650	20	Clamp mounting Transformer, 230V / 2x20V	23.2 V	EN61558-2-6
504662	20	Clamp mounting Transformer, 230V / 2x24V	27.8 V	EN61558-2-6
504666	50	Clamp mounting Transformer, 230V / 2x6V	6.6 V	EN61558-2-6
504656	50	Clamp mounting Transformer, 230V / 2x9V	10.0 V	EN61558-2-6
504672	50	Clamp mounting Transformer, 230V / 2x12V	13.3 V	EN61558-2-6
504622	50	Clamp mounting Transformer, 230V / 2x15V	16.7 V	EN61558-2-6
504640	50	Clamp mounting Transformer, 230V / 2x18V	20.0 V	EN61558-2-6
504628	50	Clamp mounting Transformer, 230V / 2x20V	22.2 V	EN61558-2-6
504638	50	Clamp mounting Transformer, 230V / 2x24V	26.6 V	EN61558-2-6

**Dimensions and fittings:**



Power	Overall Size	Fixing		Weight	Efficiency
[VA]	L x D x H [mm]	C [mm]	Slot size	[kg]	%
6	45 x 40 x 37	53.5	4 x 5.5	0.20	> 80 %
12	59 x 50 x 50	70	4.7x8.7	0.4	>87%
20	59x57x50	70	4.7x8.7	0.55	> 80 %
50	79x62x65	92	4.7x9.5	1.0	>84%