

# Product data sheet

Specifications



## standard digital output kit - Modicon STB - 115..230 V AC - 2 O

STBDAO8210K

**Product availability: Non-Stock - Not normally stocked in distribution facility**

### Main

Range of Product	Modicon STB distributed I/O solution
Product or Component Type	Standard digital output kit
Kit composition	STBXTS1100, 5-terminal screw type connector STBDAO8210 module STBXTS2110, 5-terminal spring clamp connector STBXBA2000 base
Product Compatibility	I/O base STBXBA2000 Power distribution module STBPDT2100/2105
Range Compatibility	Logic/motion controller - Modicon M262 Modicon M580 Third party
Device Application	Industrial Application
Discrete output number	2
Discrete output logic	Positive logic (source)/negative logic (sink)
Discrete output voltage	115...230 V AC triac

### Complementary

Discrete output number	2 triac at 115...230 V AC
Discrete output current	1000 mA at 60 °C 2000 mA
Response time on output	< 10 ms maximum (turn on) < 10 ms maximum (turn off)
Maximum leakage current	2 mA 115 V AC at state 0 2.5 mA 230 V AC at state 0
Typical current consumption	45 mA 5 V DC
Electrical Connection	Screw terminal
Hot swapping fallback	Yes for standard NIMs
Height	0.7 in (18.4 mm)
Width	5.05 in (128.3 mm)
Depth	2.8 in (70 mm)
Net Weight	0.276 lb(US) (0.125 kg)

### Environment

IP Degree of Protection	IP20
Marking	CE

Price is "List Price" and may be subject to a trade discount – check with your local distributor or retailer for actual price.

<b>Product certifications</b>	UL CSA FM Class 1 Division 2
<b>Standards</b>	EN/IEC 61131-2
<b>Relative humidity</b>	95 % 140 °F (60 °C) without condensation
<b>Operating altitude</b>	<= 6561.68 ft (2000 m)
<b>Pollution degree</b>	2
<b>Shock resistance</b>	30 gn 11 msIEC 88 reference 2-27

## Ordering and shipping details

<b>Category</b>	US1PC3218215
<b>Discount Schedule</b>	PC32
<b>GTIN</b>	3595863988925
<b>Returnability</b>	No
<b>Country of origin</b>	ID

## Packing Units

<b>Unit Type of Package 1</b>	PCE
<b>Nbr. of units in pkg.</b>	1
<b>Package 1 Height</b>	1.063 in (2.700 cm)
<b>Package 1 Width</b>	3.150 in (8.000 cm)
<b>Package 1 Length</b>	5.118 in (13.000 cm)
<b>Package weight(Lbs)</b>	5.009 oz (142.000 g)
<b>Unit Type of Package 2</b>	S02
<b>Number of Units in Package 2</b>	28
<b>Package 2 Height</b>	5.906 in (15.000 cm)
<b>Package 2 Width</b>	11.811 in (30.000 cm)
<b>Package 2 Length</b>	15.748 in (40.000 cm)
<b>Package 2 Weight</b>	9.612 lb(US) (4.360 kg)

## Contractual warranty

<b>Warranty (in months)</b>	18
-----------------------------	----


## Environmental Data

Schneider Electric aims to achieve Net Zero status by 2050 through supply chain partnerships, lower impact materials, and circularity via our ongoing "Use Better, Use Longer, Use Again" campaign to extend product lifetimes and recyclability.


[Environmental Data explained >](#)

[How we assess product sustainability >](#)

### Use Better

 <b>Materials and Substances</b>	
Packaging made with recycled cardboard	No
Packaging without single use plastic	No
<a href="#">EU RoHS Directive</a>	Pro-active compliance (Product out of EU RoHS legal scope)
SCIP Number	6830dd70-e4bc-47df-85c7-e41f888576f4
REACH Regulation	<a href="#">REACH Declaration</a>
California proposition 65	<b>WARNING:</b> This product can expose you to chemicals including: Lead and lead compounds, which is known to the State of California to cause cancer and birth defects or other reproductive harm. For more information go to <a href="http://www.P65Warnings.ca.gov">www.P65Warnings.ca.gov</a>

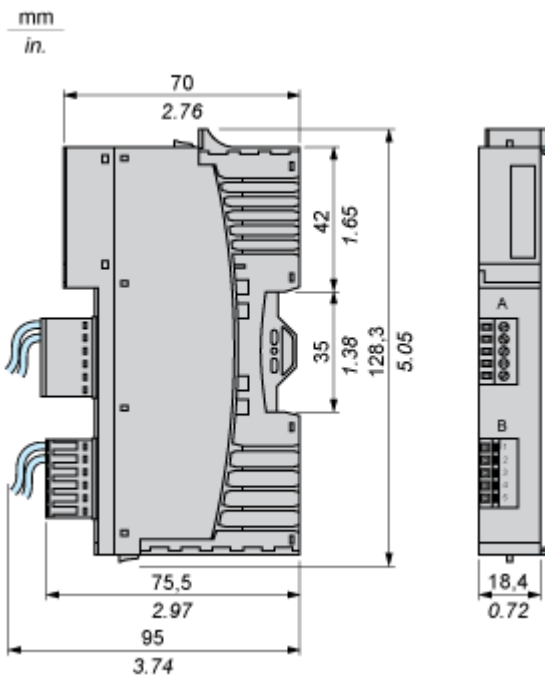
### Use Again

 <b>Repack and remanufacture</b>	
Take-back	No

Dimensions Drawings

Dimensions

---

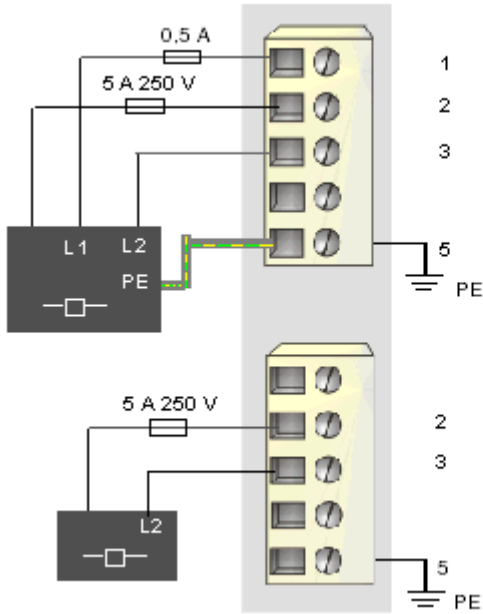


Connections and Schema

Wiring Diagram

Example

1 three-wire actuator and 1 two-wire actuator



Pin	Top Connector	Bottom Connector
1	actuator bus power (L1)	actuator bus power (L1)
2	output to actuator 1 (common with L1)	output to actuator 2 (common with L1)
3	field power neutral or L2	field power neutral or L2
4	field power neutral or L2	field power neutral or L2
5	protective earth	protective earth