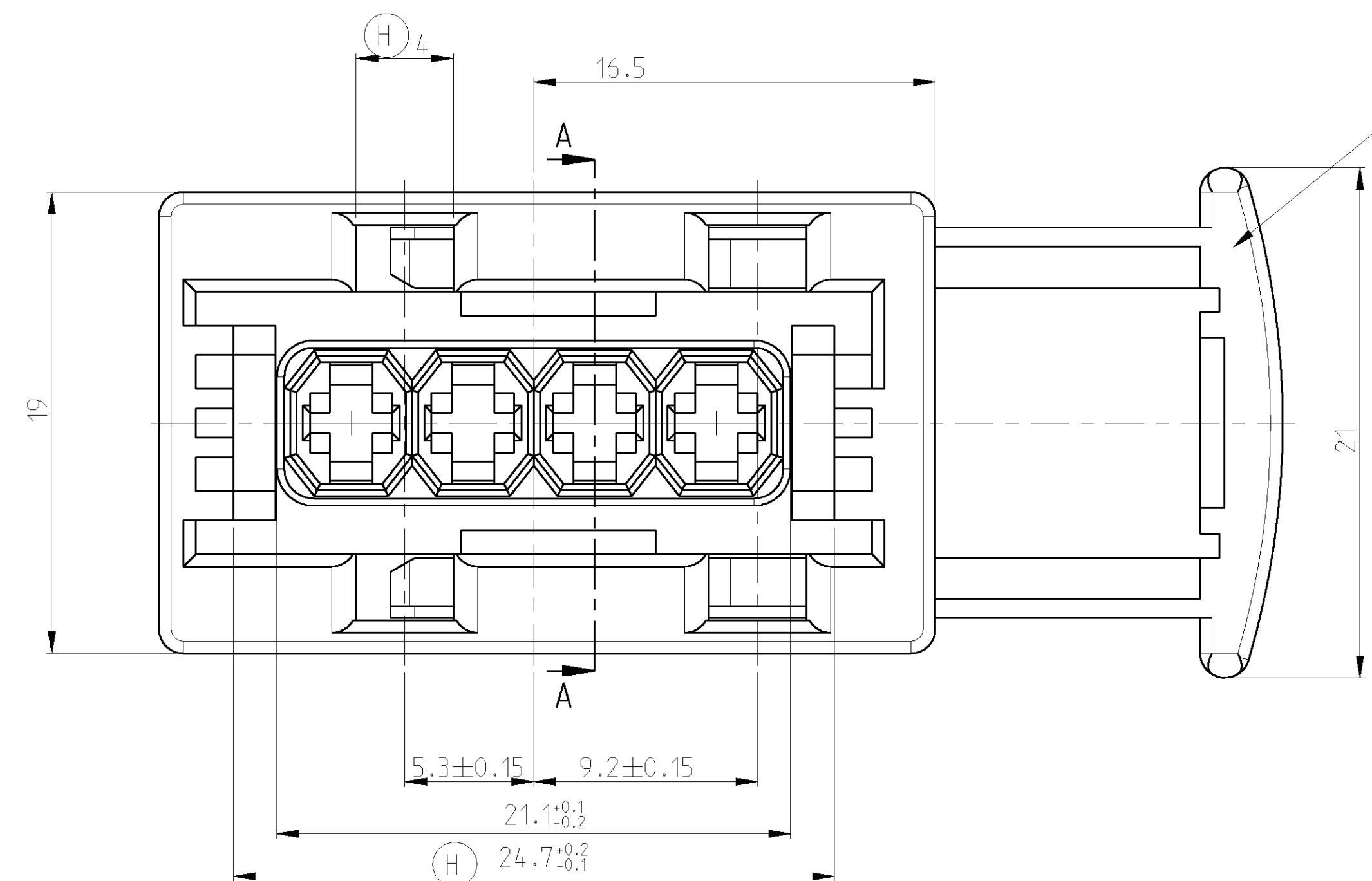
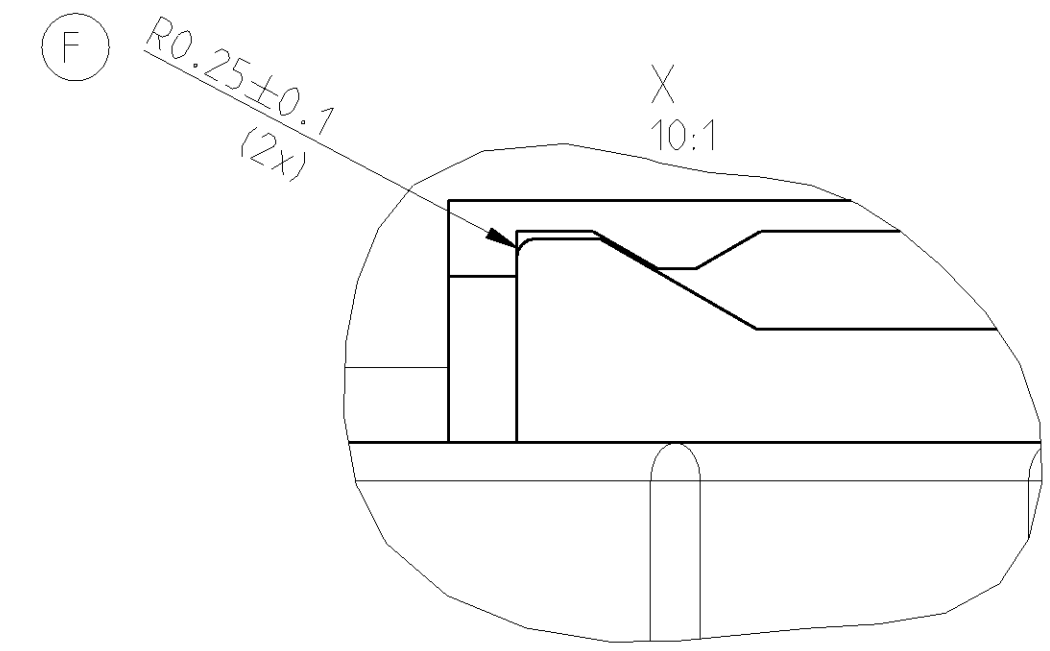
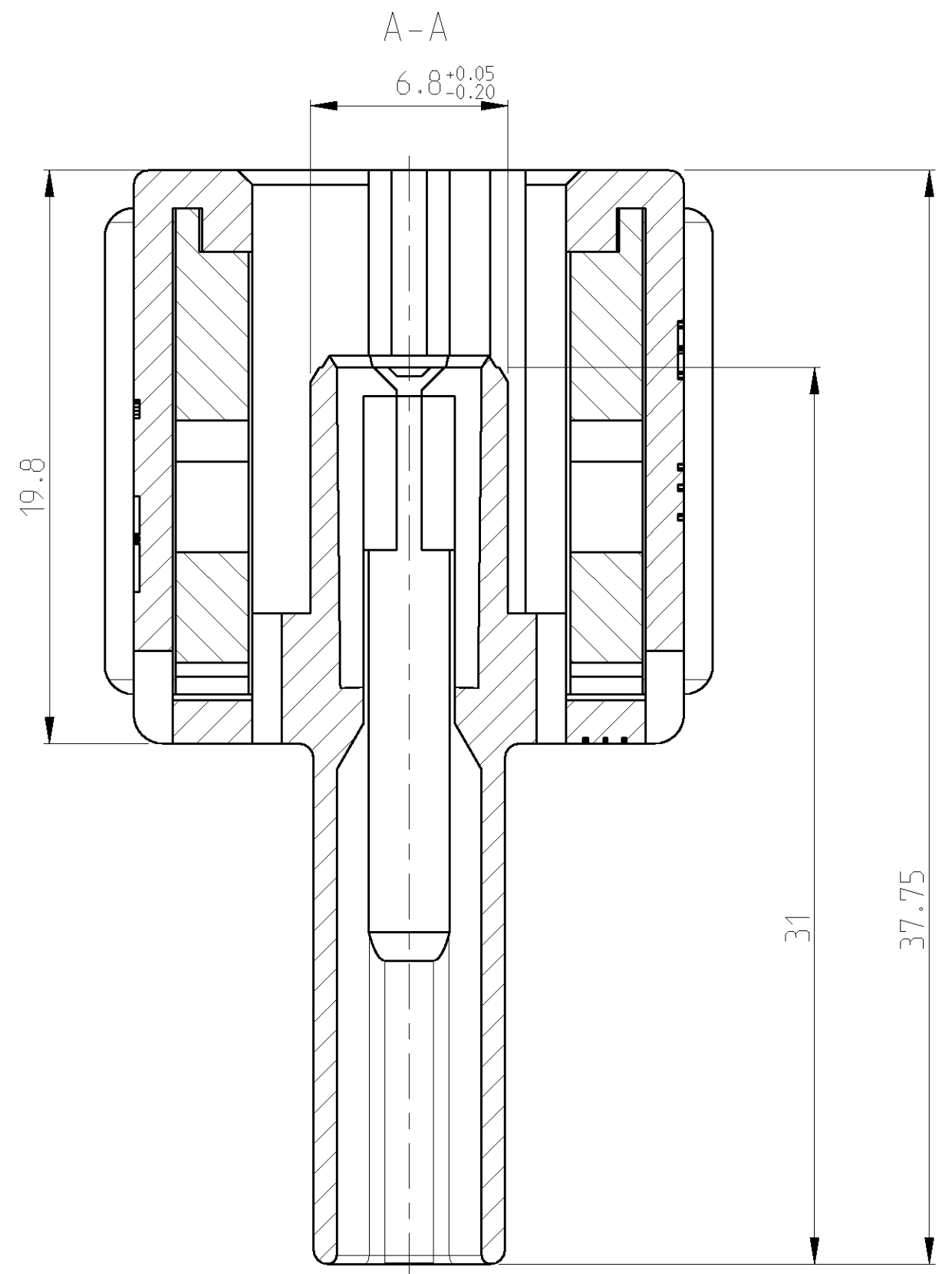
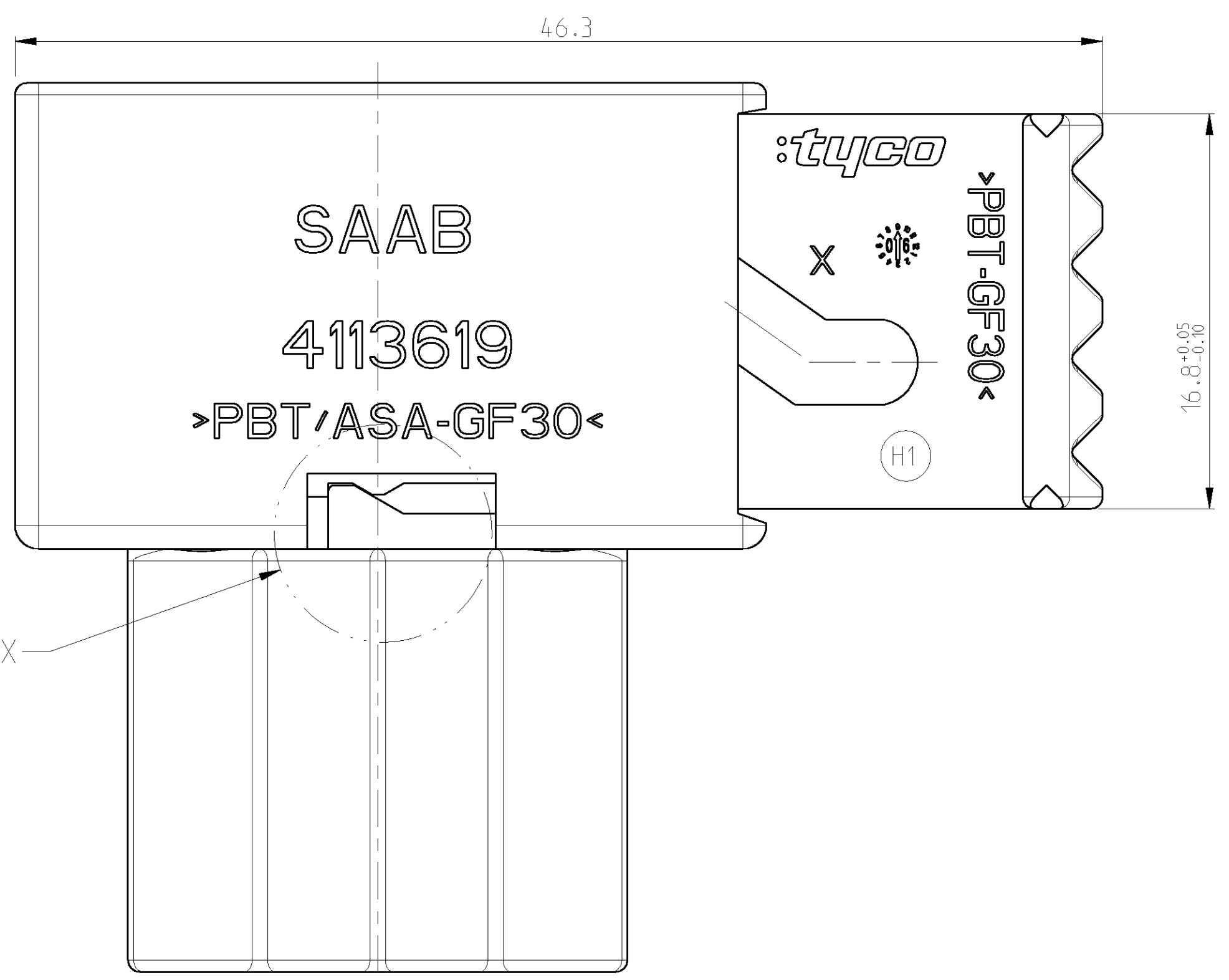
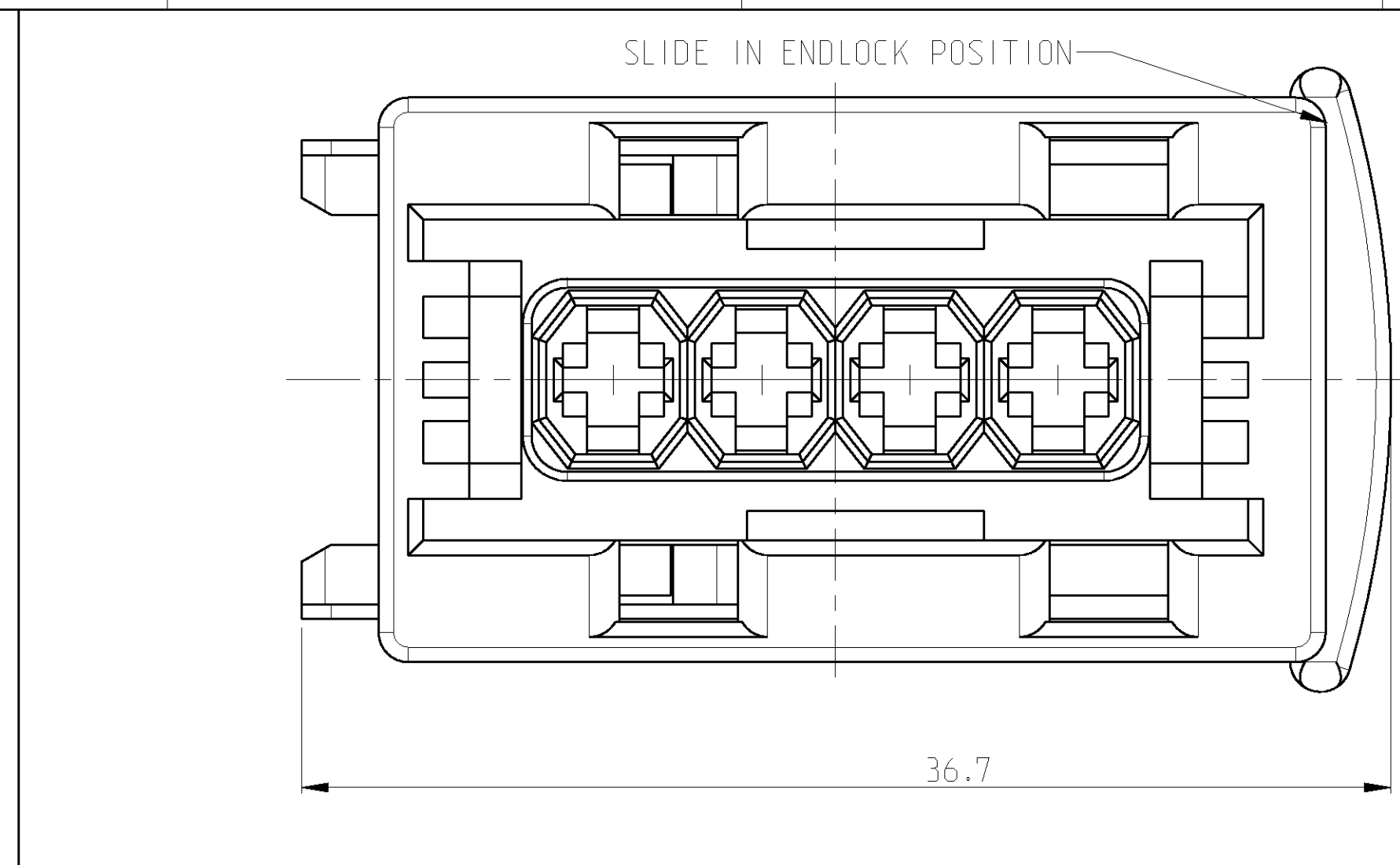
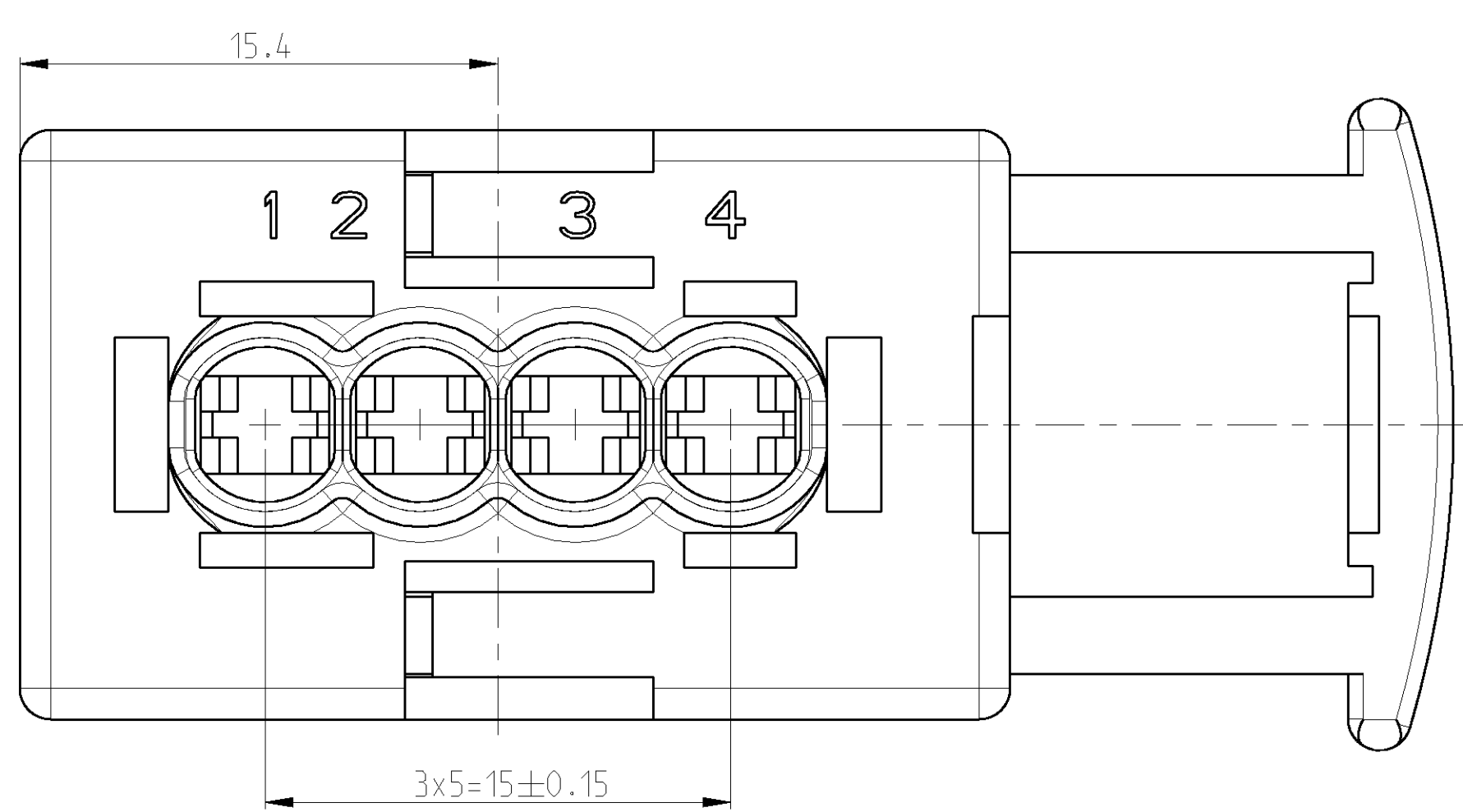
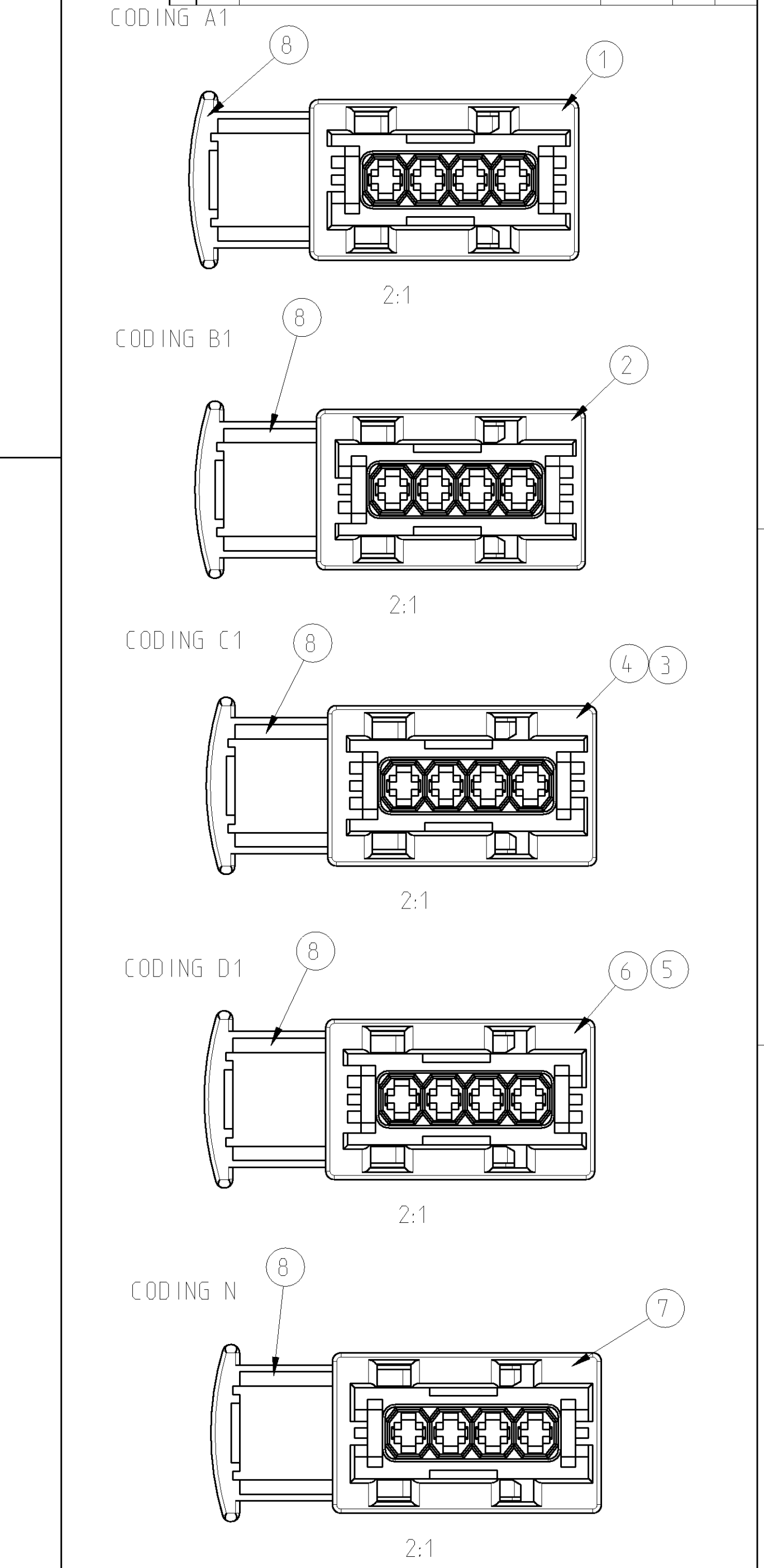


LOC	DIST	REV	DATE	BY	APPV
A1	-	H	25MAY2004	M.D.	T.K.
		H1	23AUG06	C.A.	T.K.



DELIVERY POSITION (G)  
 CAUSED BY TRANSPORT  
 THE POSITION OF THE SLIDE  
 COULD CHANGE TO INTERMEDIATE  
 OR CLOSED POSITION

CUSTOMER PART NO.	AMP PART NO.	REV.	PCS	MATERIAL	COLOR	DESCRIPTION	ITEM NO.
4113601	5-963207-1 CODING N	H	1	PBT-GF30	RED	SLIDE	8
			1	PBT+ASA-GF30	WHITE	JPT HSG., 4POS.	7
4113643	4-963207-2 CODING D1	H	1	PBT-GF30	RED	SLIDE	8
			1	PBT+ASA-GF30	GREEN	JPT HSG., 4POS.	6
4113643	4-963207-1 CODING D1	H	1	PBT-GF30	RED	SLIDE	8
			1	PBT+ASA-GF30	BROWN	JPT HSG., 4POS.	5
4113635	3-963207-2 CODING C1	H	1	PBT-GF30	RED	SLIDE	8
			1	PBT+ASA-GF30	GREEN	JPT HSG., 4POS.	4
4113635	3-963207-1 CODING C1	H	1	PBT-GF30	RED	SLIDE	8
			1	PBT+ASA-GF30	BLUE	JPT HSG., 4POS.	3
4113627	2-963207-1 CODING B1	H	1	PBT-GF30	RED	SLIDE	8
			1	PBT+ASA-GF30	GREY	JPT HSG., 4POS.	2
4113619	1-963207-1 CODING A1	H	1	PBT-GF30	RED	SLIDE	8
			1	PBT+ASA-GF30	BLACK	JPT HSG., 4POS.	1

DIMENSIONS:		TOLERANCES UNLESS OTHERWISE SPECIFIED:	
mm	0 PLC	±0.3	
	1 PLC	±0.3	
	2 PLC	±0.3	
	3 PLC	±	
	4 PLC	±	
	ANGLES	±	
MATERIAL	FINISH		

OWN: M. Dauber	24MAY2004	tyco	tyco Electronics AMP GmbH
ENG: T. Killian	25MAY2004	Electronics	D - 64625 Bensheim
APVD: -	NAME: -	JUNIOR POWER TIMER HOUSING, 4 POS.	
PRODUCT SPEC: 108-18102	APPLICATION SPEC: -	SIZE: 114-18175-1	RESTRICTED TO: -
WEIGHT: -	CAGE CODE: A1	DRAWING NO: 00779	SCALE: 5:1
CUSTOMER DRAWING: -	SCALE: 5:1	SHEET: 1	OF: 1
		REV: H1	

