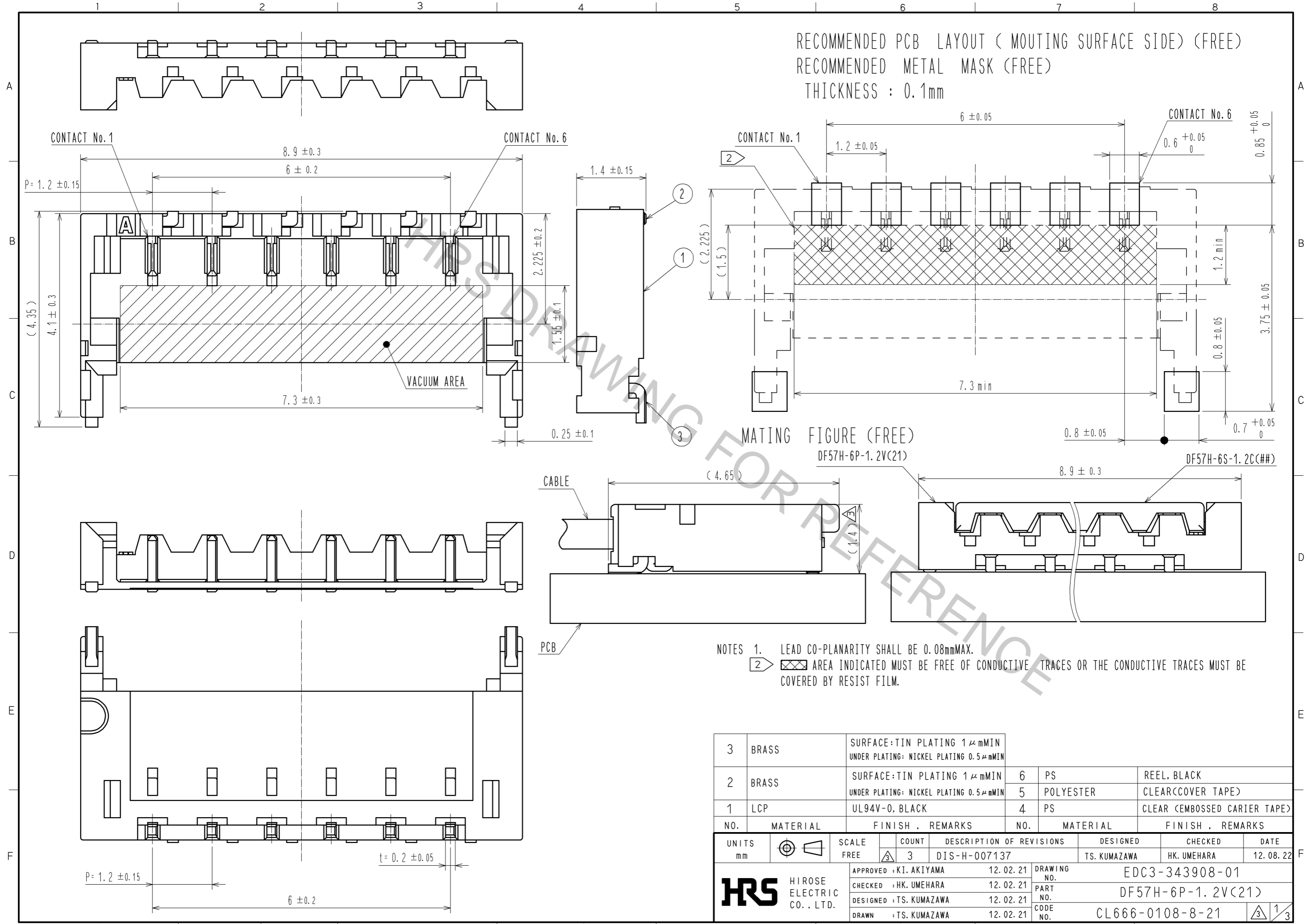


May.1.2017 Copyright 2017 HIROSE ELECTRIC CO., LTD. All Rights Reserved.



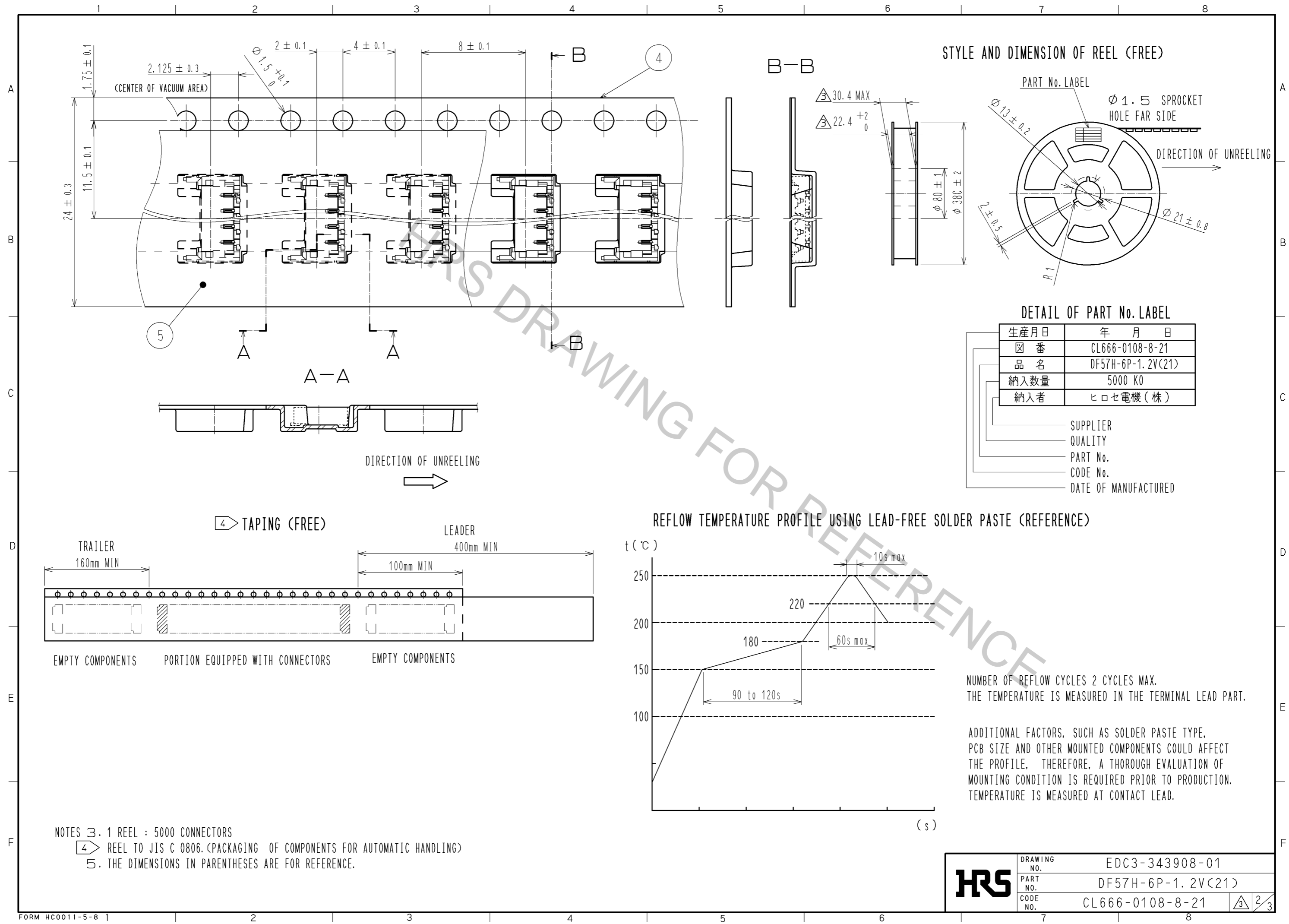
RECOMMENDED PCB LAYOUT (MOUNTING SURFACE SIDE) (FREE)
 RECOMMENDED METAL MASK (FREE)
 THICKNESS : 0.1mm

MATING FIGURE (FREE)
 DF57H-6P-1.2V(21)

DF57H-6S-1.2C(##)

NOTES 1. LEAD CO-PLANARITY SHALL BE 0.08mmMAX.
 2. AREA INDICATED MUST BE FREE OF CONDUCTIVE TRACES OR THE CONDUCTIVE TRACES MUST BE COVERED BY RESIST FILM.

3	BRASS	SURFACE:TIN PLATING 1μmMIN UNDER PLATING: NICKEL PLATING 0.5μmMIN				
2	BRASS	SURFACE:TIN PLATING 1μmMIN UNDER PLATING: NICKEL PLATING 0.5μmMIN	6	PS	REEL, BLACK	
1	LCP	UL94V-0, BLACK	5	POLYESTER	CLEAR(COVER TAPE)	
			4	PS	CLEAR (EMBOSSED CARRIER TAPE)	
NO.	MATERIAL	FINISH, REMARKS	NO.	MATERIAL	FINISH, REMARKS	
UNITS		SCALE	COUNT	DESCRIPTION OF REVISIONS		DESIGNED
mm		FREE	3	DIS-H-007137		TS. KUMAZAWA
				APPROVED	12.02.21	CHECKED
				TS. KUMAZAWA	12.02.21	HK. UMEHARA
				CHECKED	12.02.21	DATE
				HK. UMEHARA	12.02.21	12.08.22
				DESIGNED	12.02.21	
				TS. KUMAZAWA	12.02.21	
				DRAWN	12.02.21	
				TS. KUMAZAWA	12.02.21	
HIROSE ELECTRIC CO., LTD.			DRAWING NO. EDC3-343908-01 PART NO. DF57H-6P-1.2V(21) CODE NO. CL666-0108-8-21		1/3	

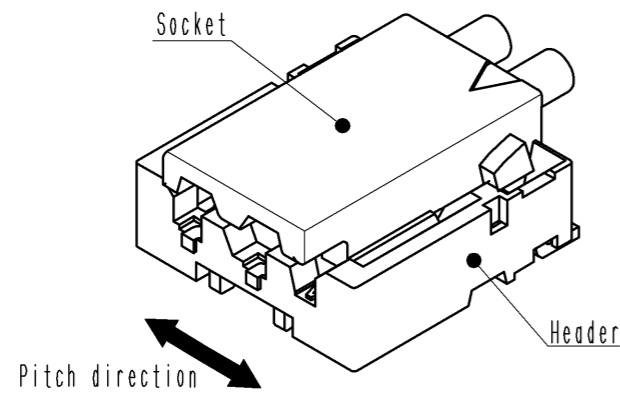


HRS	DRAWING NO.	EDC3-343908-01
	PART NO.	DF57H-6P-1.2V(21)
	CODE NO.	CL666-0108-8-21
		2/3

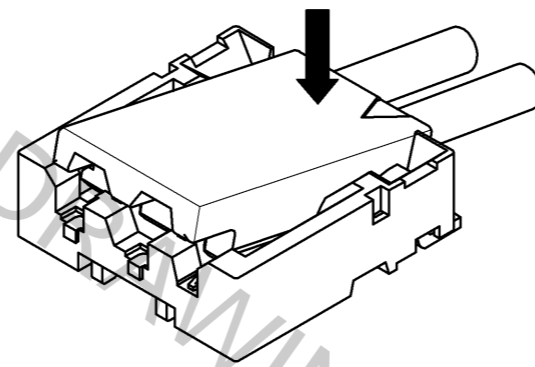
DF57 Series Mating / Unmating Operation Instruction (For DF57 series)

Mating

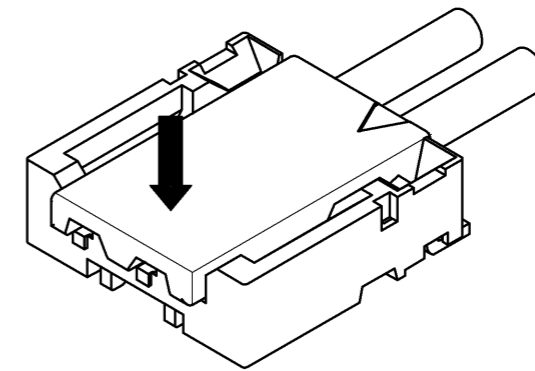
① By positioning the convexity of the socket sides to the header concavity, align the centers of the socket and the header in pitch direction.



② Slightly press the socket down at cable side to tilted angle.

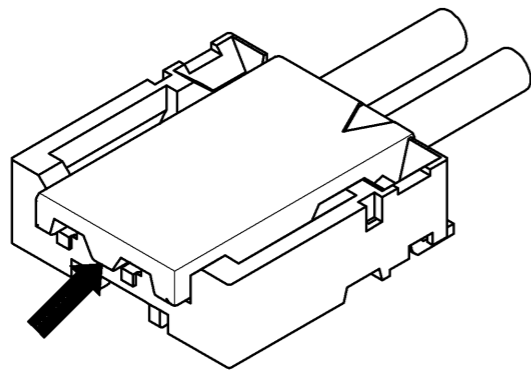


③ Press down at the lever side with stabilizing the cable side to insert. Mating completes.

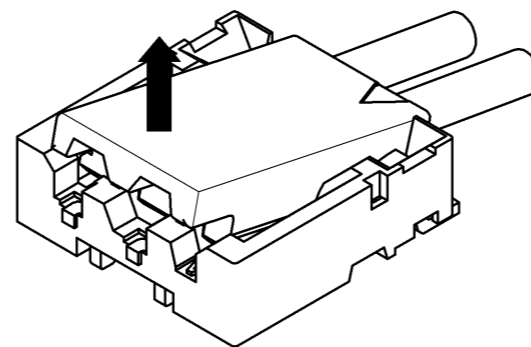


Unmating

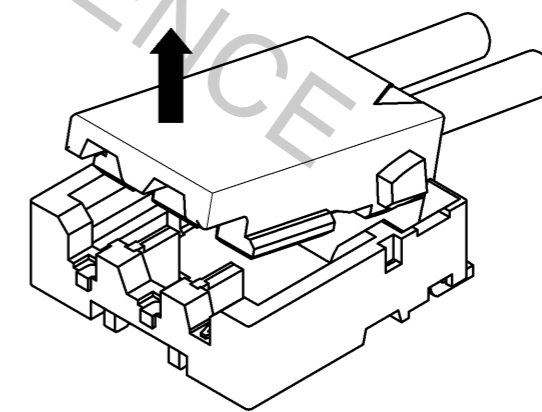
① Hook the lever with finger nail.



② Lift up to the upper direction and friction lock is released.



③ Lift up to the upper direction and positive lock is released. Removal completes.



HRS

DRAWING NO.	EDC3-343908-01
PART NO.	DF57H-6P-1.2V(21)
CODE NO.	CL666-0108-8-21

3/3