

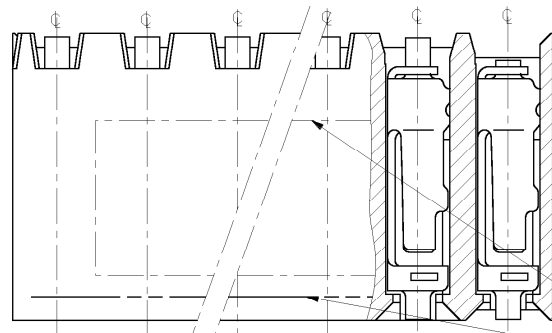
DO NOT SCALE
DIMENSIONS IN mm

METRIC

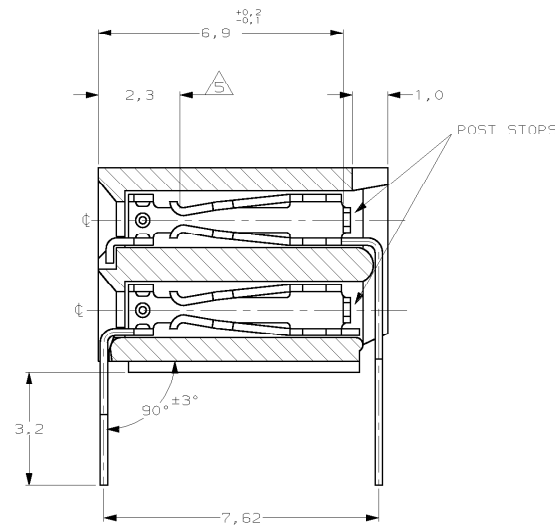
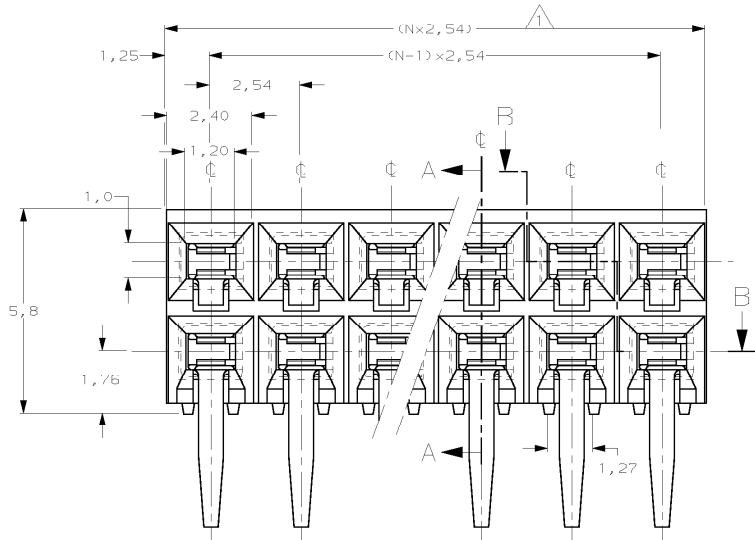


NOTES:

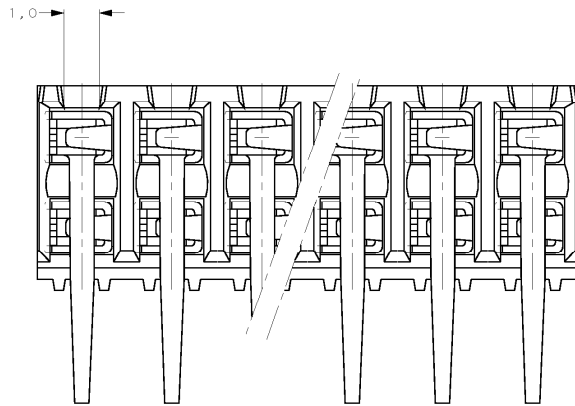
- 1 TO DETERMINE DIMENSIONS TAKE N=NR. OF POS.
FOR EXAMPLE, 10 POS., $N \times 2,54 = 25,4$ mm.
FOR ORDER NR. USE BASIC NR.+NR. OF POS.
FOR EXAMPLE, 2×2 POS. = 216604-2 (SHORTEST VERSION)
 2×65 POS. = 6-216604-5 (LONGEST VERSION)
- 2 HOUSING MATERIAL, GREEN GLASSFILLED POLYESTER, UL 94V-0
CONTACT MATERIAL, PHOSPHORBRONZE.
- 3 PLATING, UNDERCOATING, 1,3 μ m Ni
AT CONT. PLACE, 0,8 μ m Au
AT SOLDER-TINES, 3,0-5,0 μ m TIN
- 4 MATES WITH 0,63 SQUARE/ROUND MODU POSTS.
- 5 CONTACT-POINT.
- 6 RECOMMENDED P.C. BOARD-THICKNESS, 1,6 mm.
- 7 PRINTED: BASIC PARTNUMBER, THE WORD "AMP", PRODUCTION DATE AND A DASHED LINE OVER THE LENGTH OF HOUSING TO INDICATE CONTACT MATING SIDE.



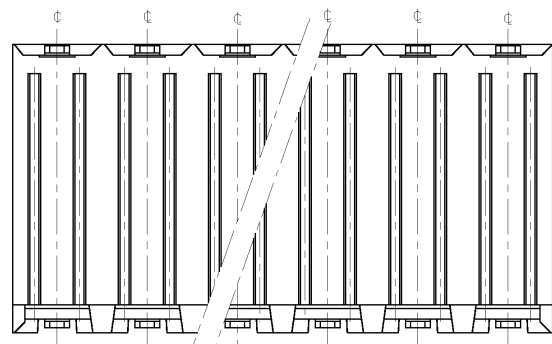
SECTION B-B/TOP VIEW



SECTION A-A

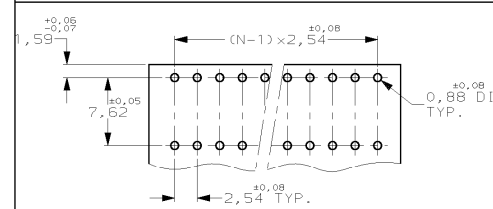


REAR VIEW



BOTTOM VIEW

RECOMMENDED P.C. BOARD-HOLE LAYOUT



FINISH				MATERIAL		PARTNUMBER	
-	-	-	-	CUSTOMER DRAWING		FOR REFERENCE ONLY WILL NOT BE UPDATED	
H1	EU00-0011-03	TISZA KISS	ZITZ 20 MAY 01	© COPYRIGHT 1991 BY AMP HOLLAND B.V. ALL INTERNATIONAL RIGHTS RESERVED. AMP PRODUCTS MAY BE COVERED BY U.S. AND FOREIGN AND/OR PATENTS PENDING.			
H	EH-0467-97	JvL	RB 06-05-97	RELEASED FOR PUBLICATION DEC, 1991			
G	EH-1294-96	ROB	ROB 07 NOV 96	AMP HOLLAND B.V. s-Hertogenbosch, The Netherlands.			
F	H-8257	LvdH	WRA 17 APR '92				
E	ECN H9408	WRA	WRA 19-12-91	NAME HV 190 HOR. ASS'Y DUAL ROW GOLD VERSION (MAX. 2X65 POSITIONS)			
LTR.	REVISION RECORD	DR.	CHK.	DATE			
DR.:	K.F. ANNOEKKE	CHK.:	R. de BLIECK	APP.:	P. SHEETS		DWG. No.
DATE:	19-12-91	DATE:	07 NOV 95	DATE:	07-NOV-95		C-216604
				REV. LTR.	SHEET		A2
				H1	1 OF 1		