

## TECHNICAL DATA SHEET

This range of 6" and 8" bells have been designed for use in harsh environmental conditions to give long and reliable service. They are ideally suited for heavy duty industrial & marine applications. The unit produces a loud rich and clear traditional alarm bell sound free from mechanical clatter.

Part Code:	Voltage:	Colour:	Current:	dB:
A6BM-12DC	12 Dc ---	Grey	700 mA	106
A6BM-24DC	24v Dc ---	Grey	400 mA	106
A6BM-24DCR	24v Dc ---	Red	400 mA	106
A6BM-24AC	24v Ac ~	Grey	500 mA	106
A6BM-115AC	115v Ac ~	Grey	110 mA	106
A6BM-230AC	230v Ac ~	Grey	60 mA	106
A8BM-24DC	24v Dc ---	Grey	400 mA	108
A8BM-24DCR	24v Dc ---	Red	400 mA	108
A8BM-115AC	115v Ac ~	Grey	110 mA	108
A8BM-230AC	230v Ac ~	Grey	60 mA	108

Note: dB +/-3

### Key Features

- Terminals accept up to 2.5mm<sup>2</sup> cable, tinned and stripped 10-13mm
- Loop in & Loop out cabling option
- Ingress Protection: Weatherproof to IP66
- Case Material: 30% Glass Filled Polyamide Nylon V-0 (UL94) FR & UV Stable
- Gong Material: Zinc coated mild steel powder coated
- Duty Cycle: Max: 10 Mins ON – 30 Mins OFF
- Operating Temperature Range: -25°C to +50°C
- AC Supply = 50 Hz

### Maintenance

- Under normal operating conditions the bell will be maintenance free. However under very harsh environmental conditions it may be advisable, on occasion to extract the solenoid striker and remove any debris built up, to ensure free movement of the striker.
- Due to the power of the solenoid and with heavy daily use the solenoid striker may eventually penetrate through the wall of the gong. Three additional retaining slots have been added to the gong to allow the gong to be rotated through 90° to offer a fresh striking surface.

Moflash part code S00573 Issue 7



## INSTALLATION & TECHNICAL INFORMATION

PLEASE READ PRIOR TO INSTALLATION



### Moflash Bell - (IP66)

INDUSTRIAL & MARINE ACOUSTIC SIGNALLING DEVICE

APPROVALS AND CONFORMITIES



Website: [www.moflash.com](http://www.moflash.com)

Email: [technical@moflash.co.uk](mailto:technical@moflash.co.uk)

## INSTALLATION DATA SHEET

Carefully retain all removed parts for later re-assembly.

Unscrew the retaining bolt and washer from the bell gong using a 4mm A/F hexagon key (not supplied), and with the 8" version the spacer positioned between the gong and the case. Remove the solenoid striker and spring from the solenoid cavity at the top of the case.

Remove the 5 self tapping screws from the bell case lid. The unit allows for up to four cable entries, two on the top and one either side of the case. The maximum gland size is 20mm. Drilling points are indicated by the recessed indentations on the surface. Always ensure that the correct weatherproof gland/s is used.

The bell case must be mounted on a flat surface with the solenoid striker cavity facing vertically upwards. Fix the bell case onto the required surface using 3 x 5mm (No10 gauge) fixing screws (not supplied).

The bell case has been designed to allow for 'loop in' and 'loop out' cabling requirements. The DC and AC units are polarity conscious. The DC wires are coloured Red for 'Positive' and Black for 'Negative'. The AC are coloured Brown for 'Live' and Blue for 'Neutral'. The high voltage AC units also include an 'Earth' (Ground) Green/Yellow wire.

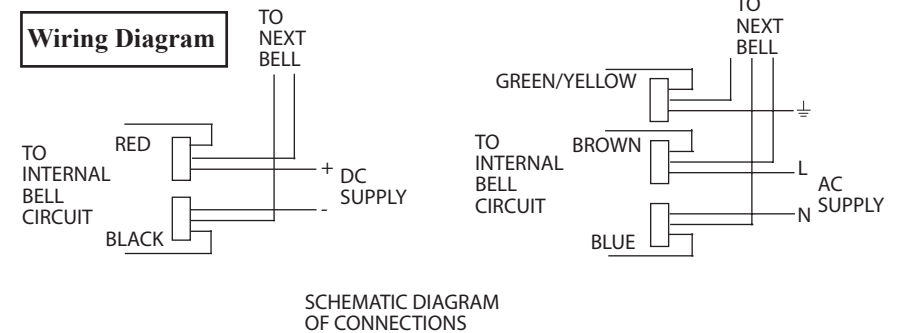
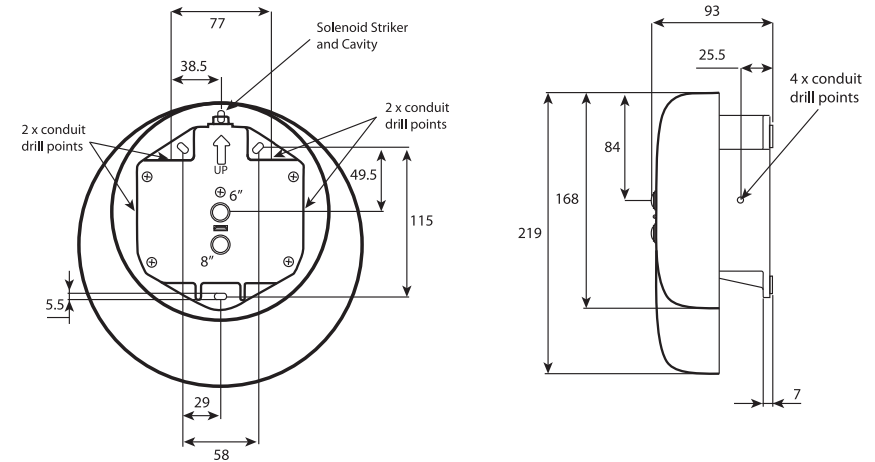
See picture 1 showing a 230v AC unit.

Once power termination is complete, replace the bell case lid, ensuring the lid gasket is still correctly fitted, prior to securing with the 5 x self tapping screws. The installer must satisfy himself that the internal wiring does not foul the weatherproof seal that is formed with the bell case lid. Failure to achieve a universal seal will invalidate the warranty.

Re-fit the spring and solenoid striker into the solenoid cavity in the case. Replace the gong. 6" gong directly onto the 6" fixing boss (as indicated on lid) lining up the gong slot with case boss. 8" gong, first place the spacer onto the 8" fixing boss (as indicated on lid) prior to replacing gong. Secure with washer and retaining bolt.

## GENERAL INSTALLATION NOTES

- Installation must be carried out in accordance with the latest codes and regulations by a qualified electrician.
- 'If the equipment is used in a manner not specified by the manufacturer, the protection provided by the equipment maybe impaired'
- Environmental exposure conditions during installation should be dry, not moist or wet.
- Ensure power is disconnected prior to installation or maintenance to avoid electric shock.
- Never energise the bell with the gong removed.
- To maintain good serviceability the bell must be mounted with the solenoid striker upwards.
- Avoid mounting the bell where it will be subject to excessive vibration.



Picture 1

