

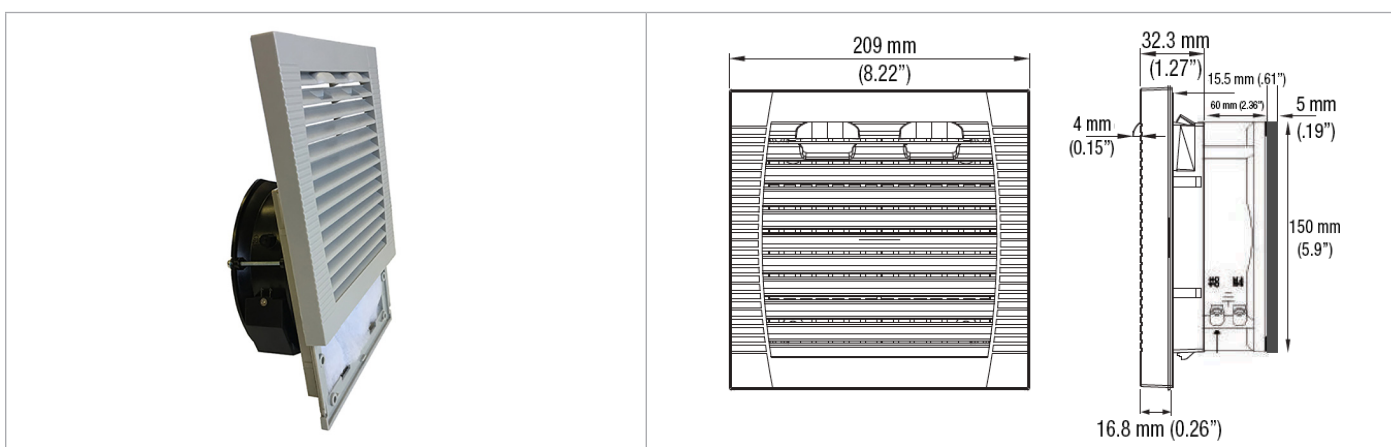


# Datasheet

## RS PRO LOUVERED FILTER FAN KIT WITH FAN INSTALLED

Stock number: 175-9792

EN



Frame	Diecast Aluminum	<u>Operating Temperature</u> Ball Bearing -40C ~ +70C	
Impeller	PBT, UL94V-0 plastic	<u>Life Expectancy</u> >60,000 hours (L10, 40C)	
Connection	Terminals	<u>Environmental Protection</u> Class B Insulation Rated IP54 Guard Guard Frame: ABS Resin UL94V-0 with UV protection Color: Gray (standard) or Black (special order) Filter Mesh: Nylon fiber Synthetic Resin	
Motor	Capacitor drive, impedance protected		
Bearing System	Dual Ball		
Insulation Resistance	>100M ohm between lead-wire and frame (500VDC)		
Dielectric Strength	1 min at 1500 VAC, 50/60Hz		

Model Number	175-9792	
Nominal Voltage	230 VAC	
Voltage Range	200 - 240 VAC	
Rated Power	50 W	
Rated Speed (RPM)	3300	
Airflow - CFM	300	
Noise Level - (dB)	61	
Max. Static Pressure	0.78" H <sub>2</sub> O	

\* Note: Airflow data is for the fan without the louvered filter attached. Calculations indicate that up to a 40% reduction (~ 180 CFM) in fan airflow is possible with LFGS unit installed.