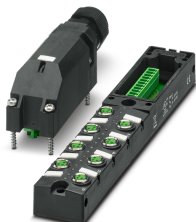


## Sensor/actuator box - SACB- 8/3-L-PTP-M8 HD - 1197616

Please be informed that the data shown in this PDF Document is generated from our Online Catalog. Please find the complete data in the user's documentation. Our General Terms of Use for Downloads are valid (<http://phoenixcontact.com/download>)




Sensor/actuator box, application: Standard, connection method: M8 socket Metal, number of slots: 8, number of positions: 3, coding: A - standard, slot assignment: single, status display: yes, pnp; master cable connection: Plug-in push-in spring-cage connection 180°, shielding: no

### Your advantages

- ✓ Safety in the field, thanks to molded housing and high degree of protection
- ✓ Convenient: increased machine availability thanks to quick and easy diagnostics
- ✓ Flexible: distributor box with connector hood for on-site assembly



### Key Commercial Data

|                                      |   |
|--------------------------------------|---|
| Packing unit                         | 1 pc  |
| GTIN                                 | <br>4 063151 256869 |
| GTIN                                 | 4063151256869   |
| Weight per Piece (excluding packing) | 234.200 g   |
| Weight per piece (including packing) | 234.200 g   |
| Custom tariff number                 | 85444290  |
| Country of origin                    | Germany   |

### Technical data

#### General

|  |           |
|--|-----------|
| Rated voltage                            | 24 V DC   |
| Max. operating voltage $U_{max}$         | 30 V DC   |
| Current carrying capacity per I/O signal | 2 A       |
| Current carrying capacity per slot       | 2 A       |
| Total rated current                      | 8 A       |
| Number of positions                      | 3         |
| Number of slots                          | 8         |
| Sensor/actuator connection system        | M8 socket |

# Sensor/actuator box - SACB- 8/3-L-PTP-M8 HD - 1197616

## Technical data

### General

|      |   |
|------|---|
| Note | NOTE: Observe the permissible bending radii when laying conductors, since the degree of protection may be put in jeopardy if the bending forces are too high. Alleviate mechanical loads upstream of the connector, e.g. by using cable ties. |
|      | Unused slots are to be sealed off prior to commissioning. Suitable sealing elements are to be found under "Accessories".  |

### Ambient conditions

|                                 |                  |
|---------------------------------|------------------|
| Degree of protection            | IP67             |
| Ambient temperature (operation) | -25 °C ... 80 °C |

### Local diagnostics function

|                   |                               |
|-------------------|-------------------------------|
| Local diagnostics | Supply voltage Green LED      |
|                   | Status display I/O Yellow LED |

### Master cable data/connection data

|  |  |
|--|--|
| Connection method  | Plug-in push-in spring-cage connection |
| Conductor cross section min. (signal)                      | 0.2 mm <sup>2</sup>                    |
| Conductor cross section max. (signal)                      | 1.5 mm <sup>2</sup>                    |
| Conductor cross section AWG min. (signal)                  | 24                                     |
| Conductor cross section AWG max. (signal)                  | 16                                     |
| Stripping length (signal)                                  | 10 mm                                  |
| Conductor cross section min. (energy)                      | 0.2 mm <sup>2</sup>                    |
| Conductor cross section max. (energy)                      | 1.5 mm <sup>2</sup>                    |
| Conductor cross section AWG min. (energy)                  | 24                                     |
| Conductor cross section AWG max. (energy)                  | 16                                     |
| Stripping length   | 70 mm (Master cable)                   |
| Tightening torque, cover screw                             | 1 Nm                                   |
| Tightening torque of mounting screw for fixing the housing | 0.8 Nm                                 |

### Conductor data

|                                     |        |
|-------------------------------------|--------|
| Minimum external conductor diameter | 6 mm   |
| Maximum external conductor diameter | 12 mm  |
| Tightening torque, union nut        | 2.5 Nm |
| Wrench size, union nut              | 24 mm  |

### Insulation material

|  |            |
|--|------------|
| Housing material   | PBT        |
| Material of the moulding mass                            | PUR        |
| Contact material   | CuZn       |
| Contact surface material                                 | Ni/Au      |
| Contact carrier material                                 | PBT        |
| Material of contact, master cable side                   | CU alloy   |
| Material of contact surface, master cable side           | tin-plated |
| Material of the contact carrier on the master cable side | PA         |

# Sensor/actuator box - SACB- 8/3-L-PTP-M8 HD - 1197616

## Technical data

### Insulation material

|                                     |                      |
|-------------------------------------|----------------------|
| Material of threaded sleeve         | Cu alloy             |
| Material of threaded sleeve surface | Nickel-plated        |
| O-ring material                     | FKM                  |
| Sealing material                    | CR/NBR (Cable gland) |
|                                     | FKM (Hood seal)      |
| Material                            | PA 6 (Cable gland)   |

### Pin assignment

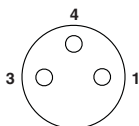
|  |                                   |
|--|-----------------------------------|
| Slot/position = Wire color or connection | 1 / 4 (A) = 1 / 4                 |
|  | 2 / 4 (A) = 2 / 4                 |
|  | 3 / 4 (A) = 3 / 4                 |
|  | 4 / 4 (A) = 4 / 4                 |
|  | 5 / 4 (A) = 5 / 4                 |
|  | 6 / 4 (A) = 6 / 4                 |
|  | 7 / 4 (A) = 7 / 4                 |
|  | 8 / 4 (A) = 8 / 4                 |
|  | 1-8 / 1 (+ 24 V) = U <sub>N</sub> |
|  | 1-8 / 3 (0 V) = 0 V               |

### Standards and Regulations

|                          |                              |
|--------------------------|------------------------------|
| Standards/specifications | M8 connector IEC 61076-2-104 |
|--------------------------|------------------------------|

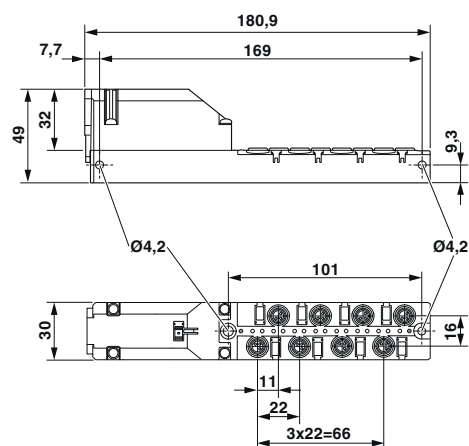
## Drawings

Schematic diagram



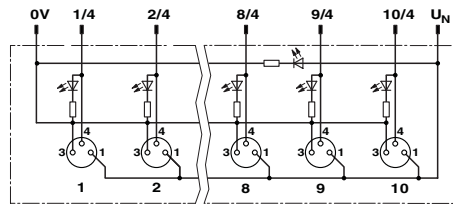
M8 slot, socket, 3-pos.

Dimensional drawing



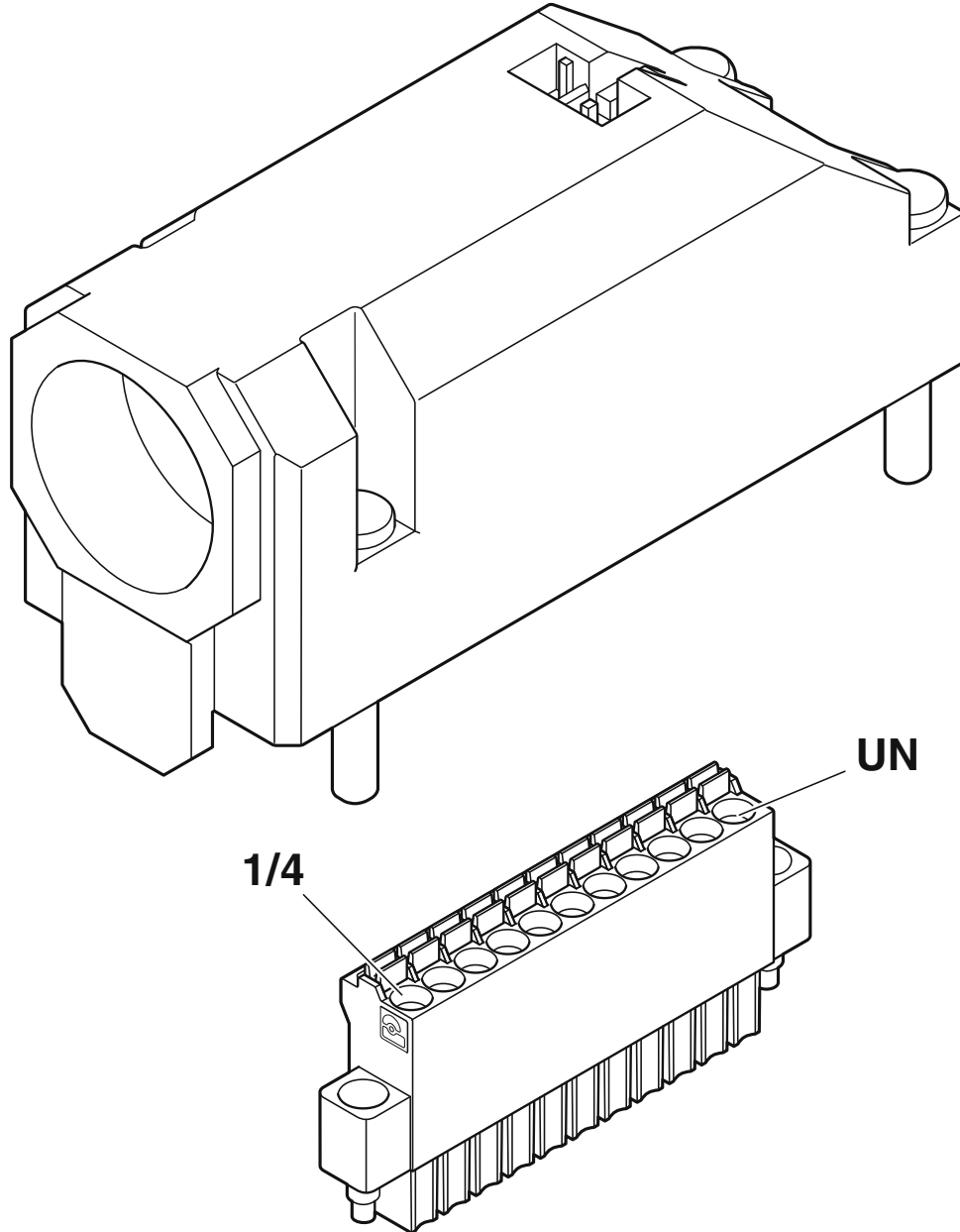
# Sensor/actuator box - SACB- 8/3-L-PTP-M8 HD - 1197616

Circuit diagram



# Sensor/actuator box - SACB- 8/3-L-PTP-M8 HD - 1197616

Schematic diagram



PCB connector positioning - the UN connection is on the end of the connector hood opposite the cable gland

## Classifications

eCl@ss

|               |          |
|---------------|----------|
| eCl@ss 10.0.1 | 27440111 |
| eCl@ss 11.0   | 27440111 |

# Sensor/actuator box - SACB- 8/3-L-PTP-M8 HD - 1197616

## Classifications

eCl@ss

|            |          |
|------------|----------|
| eCl@ss 9.0 | 27440108 |
|------------|----------|

ETIM

|          |          |
|----------|----------|
| ETIM 7.0 | EC003558 |
|----------|----------|

## Approvals

Approvals

Approvals

UL Recognized / cUL Recognized / cULus Recognized

Ex Approvals

## Approval details

|               |  |   |         |
|---------------|--|---|---------|
| UL Recognized |  | <a href="http://database.ul.com/cgi-bin/XYV/template/LISEXT/1FRAME/index.htm">http://database.ul.com/cgi-bin/XYV/template/LISEXT/1FRAME/index.htm</a> | E238705 |
|---------------|--|---|---------|

|                |  |   |         |
|----------------|--|---|---------|
| cUL Recognized |  | <a href="http://database.ul.com/cgi-bin/XYV/template/LISEXT/1FRAME/index.htm">http://database.ul.com/cgi-bin/XYV/template/LISEXT/1FRAME/index.htm</a> | E238705 |
|----------------|--|---|---------|

|                  |  |  |  |
|------------------|--|--|--|
| cULus Recognized |  |  |  |
|------------------|--|--|--|

## Accessories

Accessories

Cable by the meter

Master cable ring - SACB- 8X0,34/2X0,75-50 PUR - 1517592



Master cable for sensor/actuator boxes, without PE conductor, unshielded, material PUR/PVC, 10-pos., 8 x 0.34 mm<sup>2</sup> and 2 x 0.75 mm<sup>2</sup>, length: 50 m

Connector hood without master cable

## Sensor/actuator box - SACB- 8/3-L-PTP-M8 HD - 1197616

### Accessories

Connector hood - SACB-PT-H180- 8/3-M8 HD - 1197657



Connector hood, application: Standard, connection method: M8 socket Metal, number of slots: 8, number of positions: 3, slot assignment: single, status display: No, Universal; master cable connection: Plug-in push-in spring-cage connection 180°, shielding: no

---

### Labeled terminal marker

Marker for terminal blocks - UCT1U-TM 5 CUS - 8191012



Markers for terminal blocks, for marking terminal blocks from Weidmüller, Conta Clip, and Klemsan, 72-section, offset foot, can be ordered in sheet form, marked according to customer specifications, color: white

---

### Plug for cable screw gland

Screw plug - PROT-M8 - 1682540



An M8 screw plug for the unoccupied M8 sockets of the sensor/actuator cable, boxes and flush-type connectors

---

### Screwdriver tools

Tool - SAC BIT HOOD-W 24 - 1212486

Nut for assembling pressure nuts with 24 mm wrench size, for 4 mm hexagonal drive



---

Philips screwdriver - SZK PZ2 VDE - 1206463



Screwdriver, PZ crosshead, VDE insulated, size: PZ 2 x 100 mm, 2-component grip, with non-slip grip

## Sensor/actuator box - SACB- 8/3-L-PTP-M8 HD - 1197616

### Accessories

Tool - SAC BIT M8-D10 - 1208461



Nut for assembling M8 connectors with longitudinal knurl and a knurl diameter of 10 mm, for 4 mm hexagonal drive

---

Tool - SACC BIT M8-D12 - 1208474



Nut for assembling M8 connectors with longitudinal knurl and a knurl diameter of 12 mm, for 4 mm hexagonal drive

---

Screwdriver - SZS 0,4X2,5 VDE - 1205037



Screwdriver, slot-headed, VDE insulated, size: 0.4 x 2.5 x 80 mm, 2-component grip, with non-slip grip

---

Screw insert - SF-BIT-SL 0,45X2,4-70 - 1212607



Screw bit, slotted, E6.3-1/4" drive, size: 0.45 x 2.4 x 70 mm, hardened, suitable for holder according to DIN 3126-F6.3/ISO 1173

---

Screwdriver - SF-M BH - 1212070



Bit screwdriver, with 1/4" quick-action chuck, handle length 119 mm, 2-component handle, with non-slip grip, suitable for bits according to DIN 3126-C 6.3 and E 6.3/ISO 1173, magnetic

---

### Terminal marking



## Sensor/actuator box - SACB- 8/3-L-PTP-M8 HD - 1197616

### Accessories

Marker for terminal blocks - UCT1U-TM 5 - 0803204



UniCard materials for thermal transfer printers, for marking terminal blocks from Weidmüller, Conta Clip, and Klemsan, 72-section, offset foot, can be marked with THERMOMARK CARD and BLUEMARK, color: white

---

### Torque tool

Torque screwdriver - TSD 25 SAC - 1212315



Torque screwdriver, with preset torque of 2.5 Nm and 4 mm hexagonal drive for the pressure nut of the connector hood

---

Torque screwdriver - TSD 02 SAC - 1208487



Torque screwdriver, with preset torque of 0.2 Nm and 4 mm hexagonal drive for M8 connectors