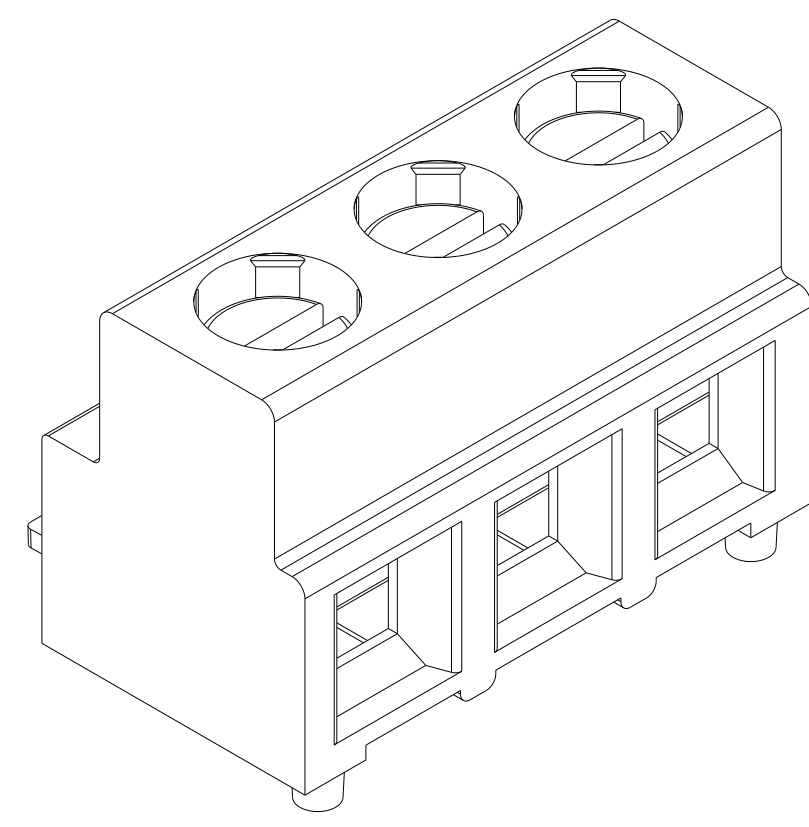
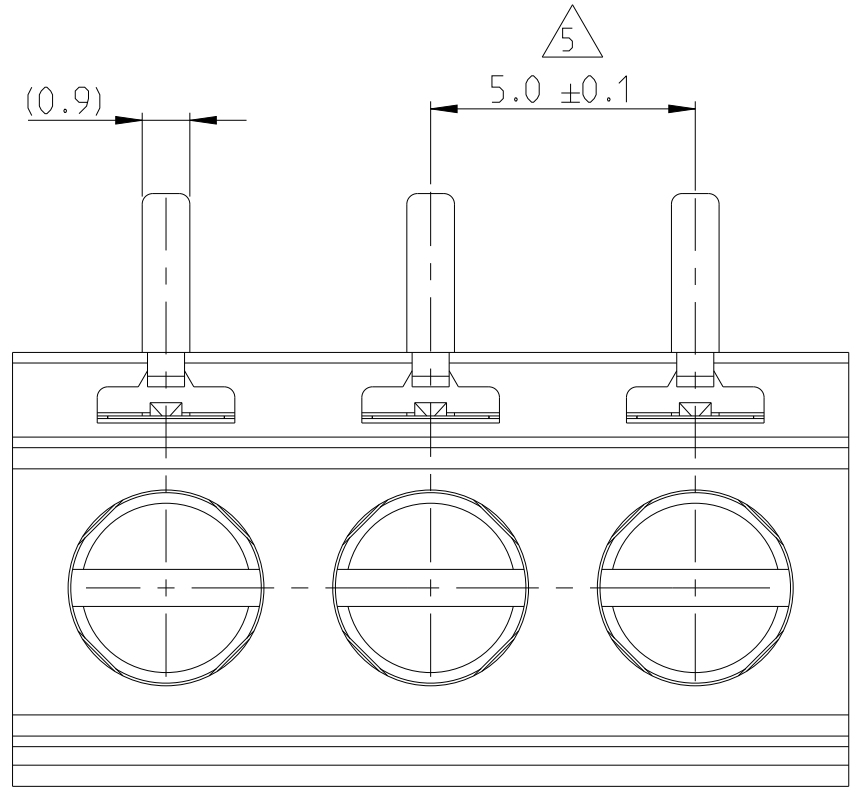


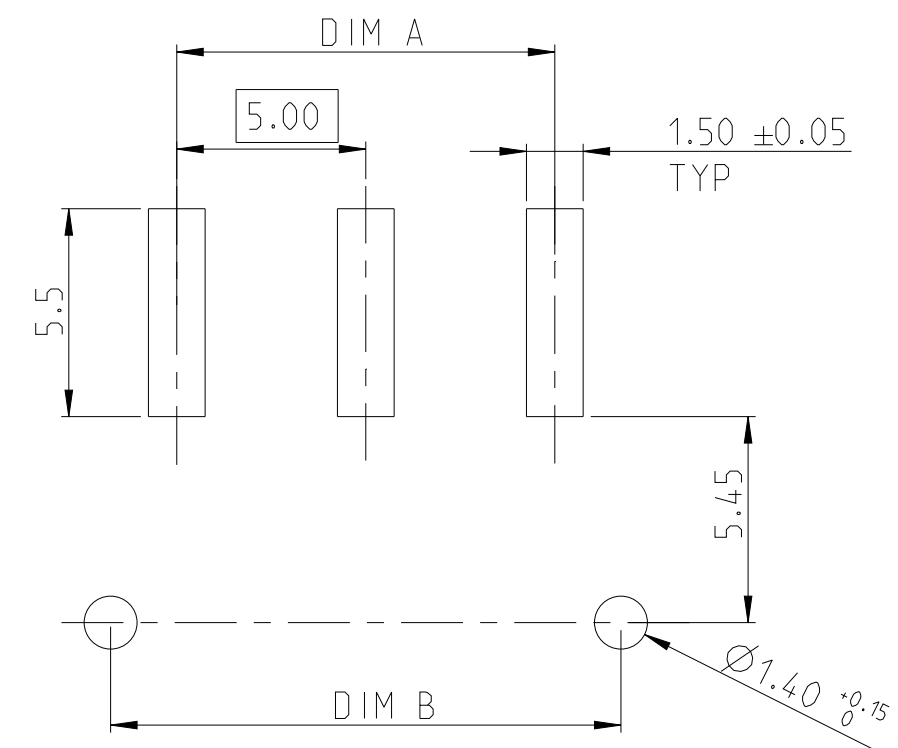
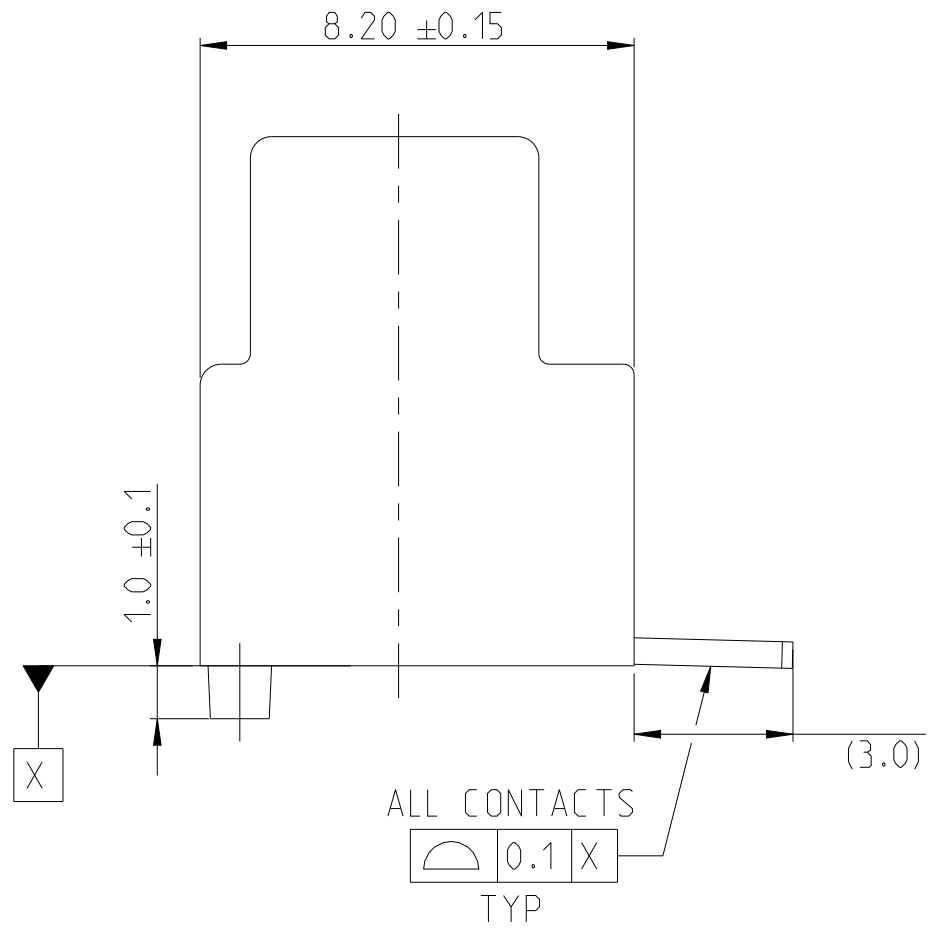
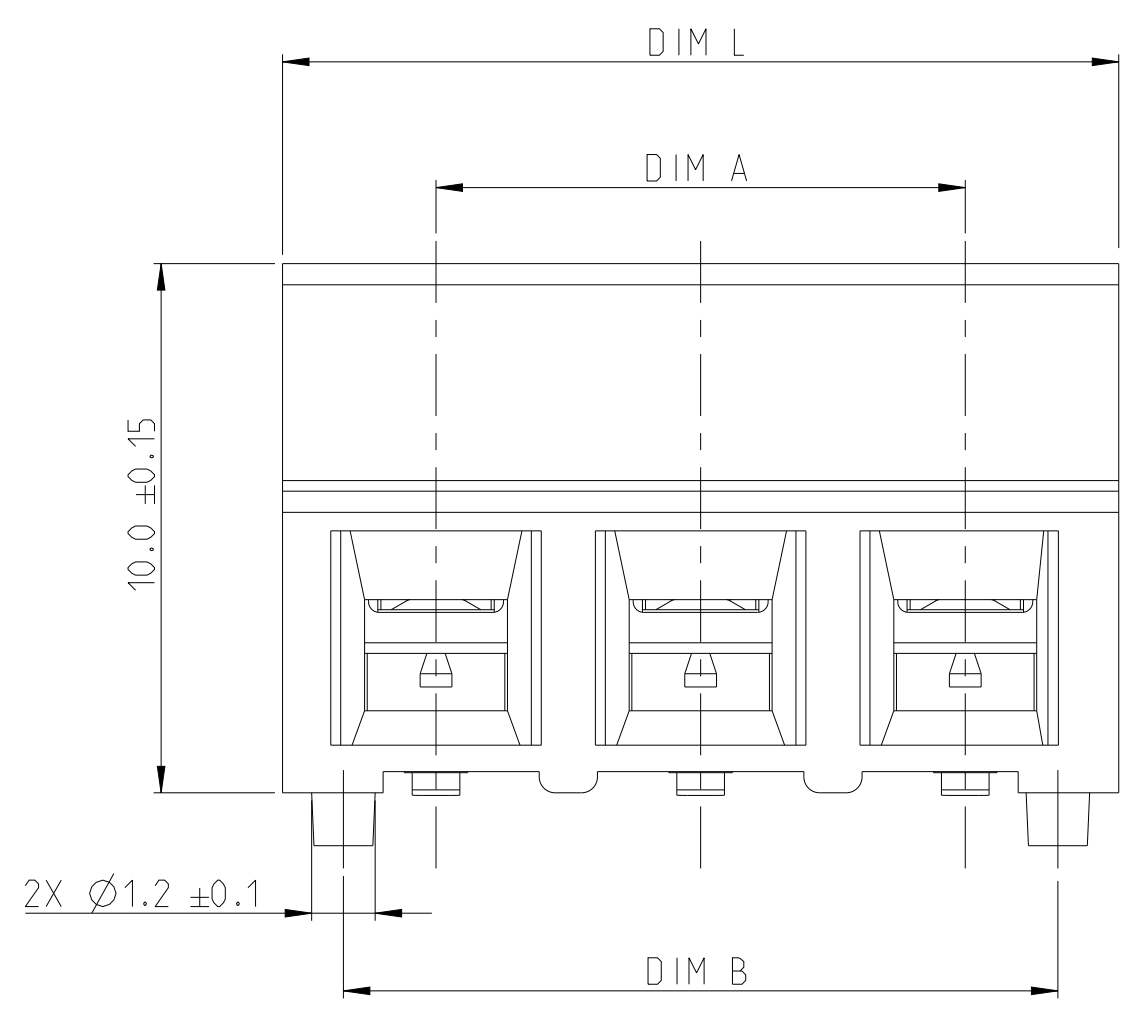
REVISIONS				
P	LTR	DESCRIPTION	DATE	APVD
1		PRELIMINARY	16DEC2020	DV PS
A		PRODUCTION RELEASE	28APR2021	SS PS



2383938-3 AS SHOWN

NOTES

- MATERIALS & FINISH**
 HOUSING : HIGH TEMPERATURE PA, UL94 V0, COLOR -BLACK
 SCREW M3 : COPPER ALLOY, NICKEL PLATED
 CLAMP : COPPER ALLOY, NICKEL PLATED
 CONTACT : COPPER ALLOY, NICKEL & TIN PLATED
- MECHANICAL**
 WIRE STRIPPING LENGTH : 5-6 mm
 RECOMMENDED/HIGHEST TIGHTENING TORQUE : 0.5/0.6 Nm.
- ELECTRICAL**
 WIRE RANGE : 16 - 30 AWG
 MAX. VOLTAGE : 300 V
 MAX CURRENT : 13.5 A
 CONTACT RESISTANCE : <15 m Ohm
 INSULATION RESISTANCE : >1000 M Ohm (500V DC)
- OPERATING TEMPERATURE RANGE: -40 °C TO +105 °C**
- NOT CUMULATIVE TOLERANCE.**
- SCREW CLAMP WILL BE IN CLOSED CONDITION.**



RECOMMENDED PCB LAYOUT

55.00	±0.25	58.5	±0.25	60.80	±0.25	12	1-2383938-2
50.00		53.5		55.80		11	1-2383938-1
45.00		48.5		50.80		10	1-2383938-0
40.00		43.5		45.80		9	2383938-9
35.00	±0.20	38.5		40.80		8	2383938-8
30.00		33.5	±0.20	35.80	±0.20	7	2383938-7
25.00		28.5		30.80		6	2383938-6
20.00		23.5		25.80		5	2383938-5
15.00	±0.15	18.5		20.80		4	2383938-4
10.00		13.5	±0.15	15.80	±0.15	3	2383938-3
5.00	±0.10	8.5		10.80		2	2383938-2
DIM A		DIM B		DIM L		POSITION	TE PN

THIS DRAWING IS A CONTROLLED DOCUMENT.

DIMENSIONS: mm	TOLERANCES UNLESS OTHERWISE SPECIFIED:	DWN 16DEC2020 DATESH VERNEKAR		
	0 PLC ± 1 PLC ±0.3 2 PLC ±0.25 3 PLC ± 4 PLC ± ANGLES ± FINISH ±	CHK 18DEC2020 SUBHASREE SAHOO APVD 18DEC2020 PRASHANTH S PRODUCT SPEC 108-160231 APPLICATION SPEC - MATERIAL - WEIGHT -		NAME TERMINAL BLOCK, SMD MOUNT, 180 DEGREE, 5 mm PITCH SIZE A2 CAGE CODE 00779 DRAWING NO C-2383938 RESTRICTED TO
CUSTOMER DRAWING		SCALE 5:1	SHEET 1 OF 1	REV A