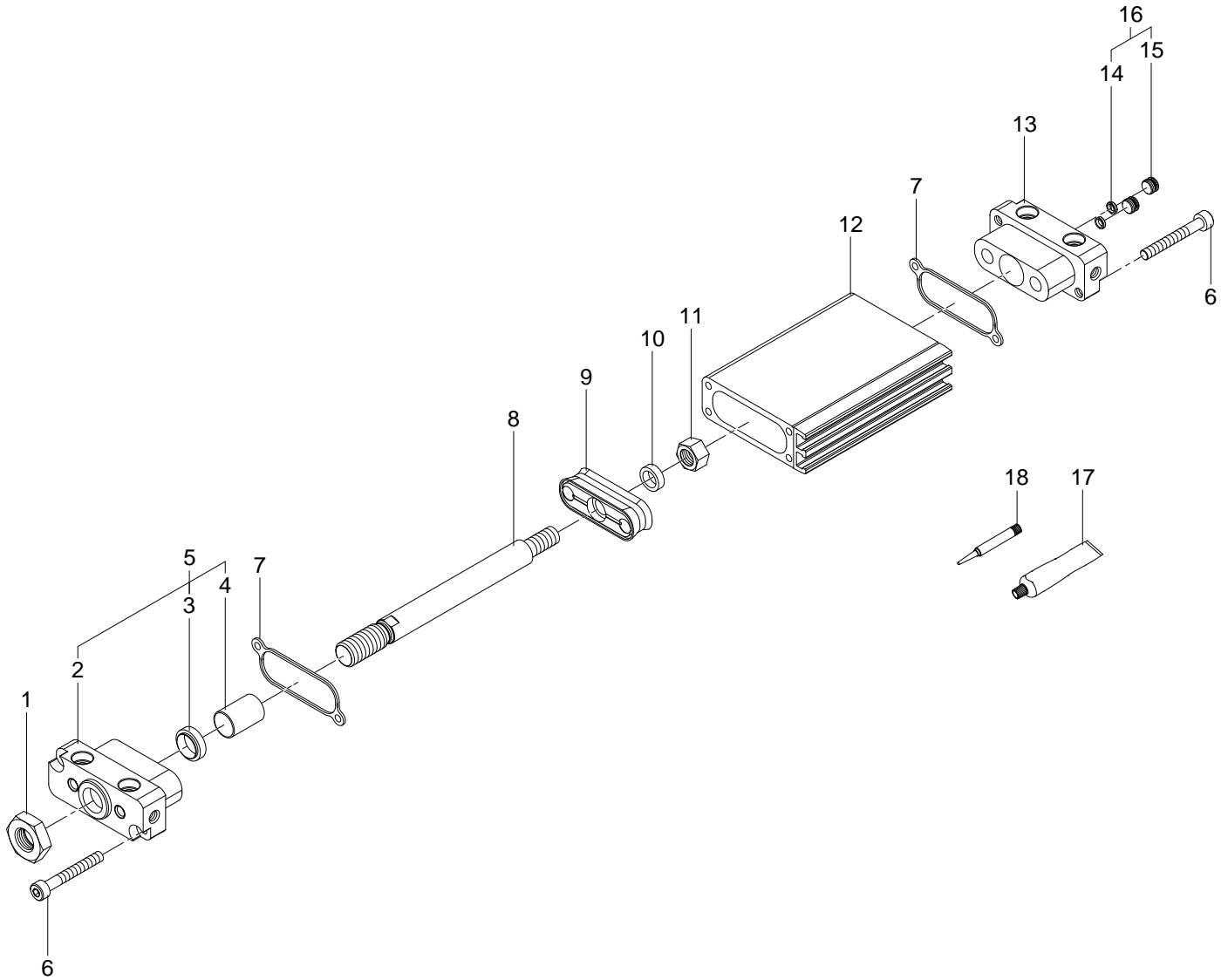


161264 DZF-32-25-A-P-A Flat cylinder - Series till 03-2024



161264 DZF-32-25-A-P-A Flat cylinder - Series till 03-2024

Pos.	Part no.	Type	Note	Qty.	Unit
A	384324	DZF- 32-A-P-A:TO 03-2024 Set of wearing parts	Spare parts: 3, 7, 9, 16, 17, 18	1	PC
1	224586	DIN 439-B-M10X1,25-A2-70 Hex nut		1	PC
2		DZF-32 Bearing cap	Not available separately, see position 5	1	PC
3	359749	WIFC1-12X16,5X4-TPE-U Wiper seal	Grease using during assembly. See position 17	1	PC
4		12X14X20-1220-DP4 Bearing bushing	Not available separately, see position 5	1	PC
5	678771	DZF-32 Bearing cap module		1	PC
6	679713	ISO 4762-M4X20-10.9 Socket head screw	Tightening torque 3 Nm / 2.2 lbf ft Use locking compound. See position 18	4	PC
7		DZF- 32 Seal	Not available separately, see position A Grease using during assembly. See position 17	2	PC
8	351784	ARA-12-X0042,2 Piston rod	When ordering please specify the stroke (see type plate)	1	PC
9		DZF- 32- -PA Piston module	Not available separately, see position A Grease using during assembly. See position 17	1	PC
10		8,4 X 12 X 4 Ring	Not available	1	PC
11	726141	DIN 980-V-M8-8 Hex nut	Tightening torque 14.5 Nm / 10.7 lbf ft	1	PC
12		DZF- 32- PA Cylinder barrel	Not available Grease using during assembly. See position 17	1	PC
13	678777	DZF-32 End cap module		1	PC
14		5,8X8,2X2 Sealing ring	Not available separately, see position 16	2	PC
15		G1/8A Plug screw	Not available separately, see position 16	2	PC
16	116515	G1/8 Plug screw		2	PC
17	711822	LUB-AL2-SILIKONFREI-20ML Lubricating grease		1	PC
18	8181256	CYBERBOND TM44 TB1ML Adhesive bonding agent		1	PC