



26" PRO35™ STACK TOOL STORAGE 16 DRAWERS BLACK

- 26" tool stack with 16 fully extendable drawers, each supporting 30 kg
- Constructed from heavy gauge steel with 5-step phosphate-free rust prevention process and a powder coat finish for durability
- Smooth running ball bearing slides and noise reducing EVA mats for protection
- Heavy-duty castors, comfort grip handle, and fixing brackets for mobility and stability
- Compatible with the TengTools Tool Control System

The TengTools 26" PRO35™ stack TSS26B16 in matte black is a versatile and comprehensive tool storage solution for professionals. This stack system measures 680 mm wide, 460 mm deep, and 1570 mm high with castors mounted, making it compact yet capacious for diverse workshops. It includes three 26" storage units: a 9-drawer roller cabinet, a 3-drawer tool chest, and a 4-drawer tool chest on top, totaling 16 fully extendable drawers. Each drawer can handle up to 40 kg and features smooth running ball bearing slides. Drawer depths are 275 mm and 380 mm, with heights ranging from 50 mm to 75 mm, accommodating various tool sizes. The top and middle tool chests can house any combination of TengTools modules, equivalent to four TC1 modules. The larger drawers in the roller cabinet can fit a TCX4 module plus four TC1 modules. This modular system allows for custom tool arrangements, improving organization and efficiency. Each drawer has an EVA mat to keep tools secure and reduce noise during movement. The unit is built from high-quality, heavy-gauge steel, and features a 5-step phosphate-free rust prevention process for corrosion resistance and durability. For ease of mobility, it has heavy-duty castors: two 5" braked swivel castors and two 5" fixed castors. A comfort grip handle on the roller cabinet and recessed side handles on both tool chests make moving it easy. Fixing brackets securely attach the tool chests to the cabinet, preventing tipping. Each unit has a 3-digit combination lock for security.

General information

Country of origin: Taiwan
Barcode: 5020385215320
Tariff code Europe: 9403208000
ECCN US: EAR99
UNSPSC: 24112401

Dimensions

Net weight (g): 100400
Width (mm): 680
Depth (mm): 460
Height with castors (mm): 1570
Max static load: 530 kg
Max dynamic load: 330 kg
Number of drawer: 16
Drawer capacity: 7 × 30 kg, 9 × 40 kg
Drawer depth: 7 × 275 mm, 9 × 380 mm
Drawer height: 5 × 50 mm, 11 × 75 mm
Drawer width: 7 × 569 mm, 9 × 575 mm

Attributes

Product type: Mobile Tool Storage
Colour: Black
Type of storage: Stack System
Castor size: 5" x 1-1/4"
Braked swivel castors: 2
Fixed castors: 2
Type of work top: 5 mm EVA mat

Features



Technical changes and errors may occur. 01-08-2024 20:00



DESIGNED IN SWEDEN

TengTools is a Swedish company present in more than 30 markets worldwide, and offers hand tools in smart storage solutions for demanding professionals within the automotive, maintenance and engineering sectors, as well as motor sport enthusiasts who aspire to use the same tools as top mechanics across the globe.



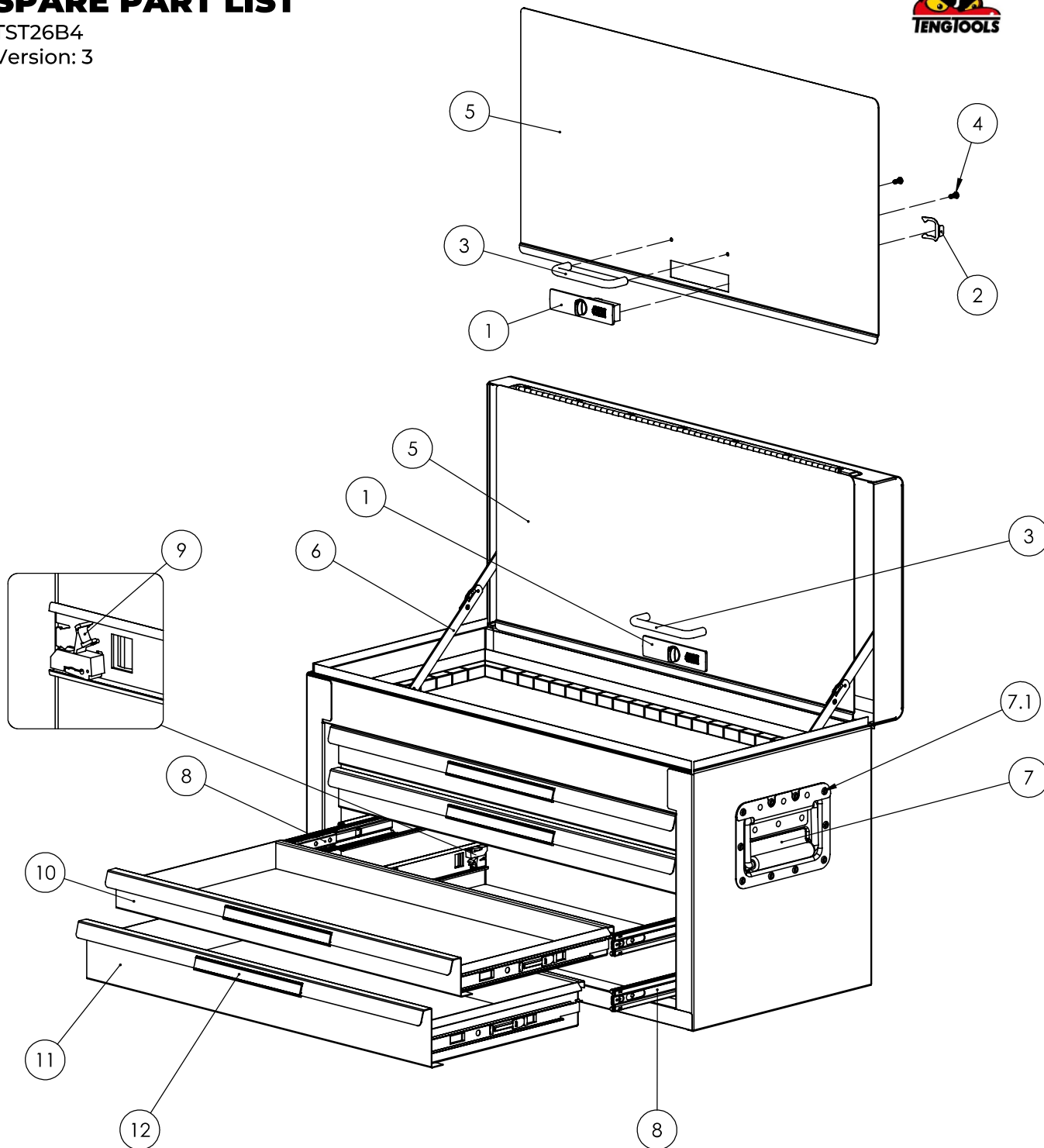
Sandbergsvägen 3
 441 39 Alingsås, Sweden

SPARE PART LIST

TST26B4
Version: 3



WWW.TENGOOLS.COM



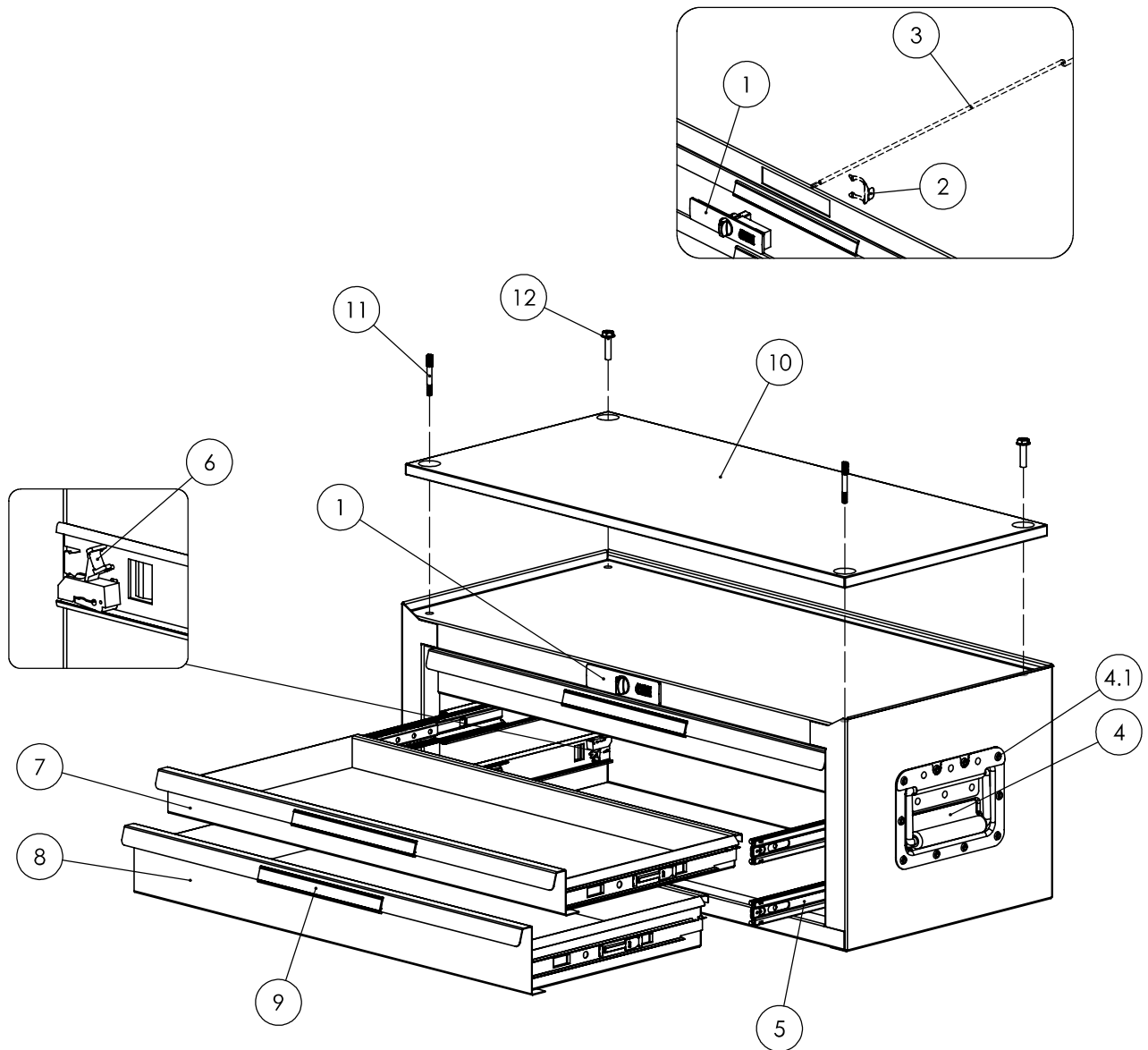
POS	DESCRIPTION	ITEM ID
1A	Combination lock 90°	TC-90CLOCK
1B	Key cylinder lock 90° (optional)	TC-90KEYLOCK
2	Cam for lock (included in Pos 1)	TC803-05
3	Drop front handle Black	TC805NFXBK1-10
4	Screws for drop front handle (2 pcs)	TC606-10
5	Drop front 26" with Logo Black	TC806NFBK-13
6	Lid stay (1 pc)	TC606-12
7	Retractable side handle	TCDSHA
7.1	Rivets: 4,8mm x 7,4mm Black (10 pcs)	-
8	Slider 10" 36 mm Left/Right (1pc)	TC803N-03
9	Clip for slider (included in Pos 8)	TC803N-13
10	Drawer 569 x 275 x 50 mm Black	TST26B-50
11	Drawer 569 x 275 x 75 mm Black	TST26B-75
12A	Aluminium drawer handle (3 pcs)	ALUE803
12B	Aluminium drawer handle (4 pcs)	ALUE804

SPARE PART LIST

TSM26B3
Version: 3



WWW.TENGTTOOLS.COM



POS	DESCRIPTION	ITEM ID
1A	Combination lock 180°	TC-180CLOCK
1B	Key cylinder lock 180° (optional)	TC-180KEYLOCK
2	Cam for lock (included in Pos 1)	TC803-05
3	Locking bar	TC603-11
4	Retractable side handle	TCDSHA
4.1	Rivets: 4,8mm x 7,4mm Black (10 pcs)	-
5	Slider 10" 36 mm Left/Right (1pc)	TC803N-03
6	Clip for slider (included in Pos 5)	TC803N-13
7	Drawer 569 x 275 x 50 mm Black	TST26B-50
8	Drawer 569 x 275 x 75 mm Black	TST26B-75
9A	Aluminium drawer handle (3 pcs)	ALUE803
9B	Aluminium drawer handle (4 pcs)	ALUE804
10	Foam between middle & top box	TC603-10
11*	Screw pin for top box (1 pc)	TC603-09
12*	Screws for top box M6 x 25 mm (2 pcs)	-

* Pos. 11 & 12 only used together with TST26B4

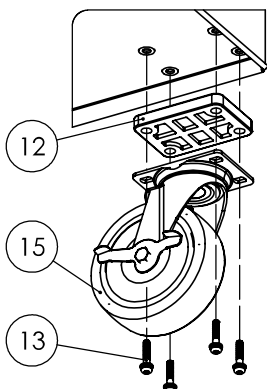
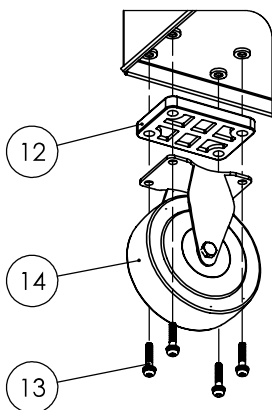
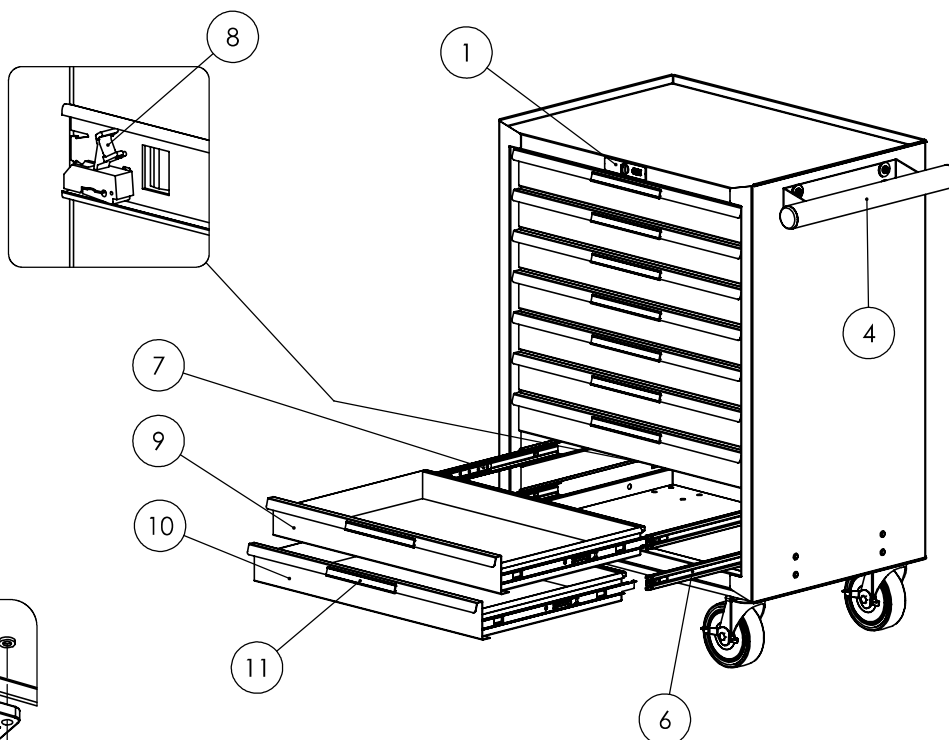
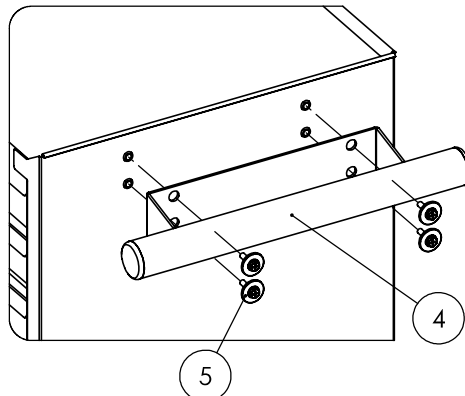
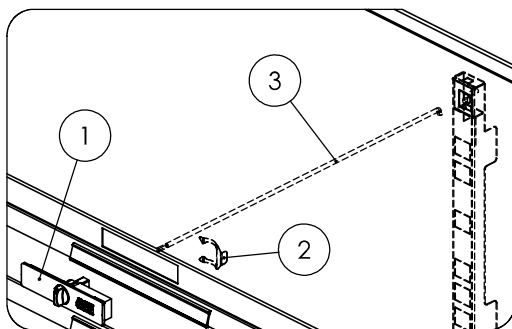
SPARE PART LIST

TSW26B9

Version: 3



WWW.TENGOOLS.COM



POS	DESCRIPTION	ITEM ID
1A	Combination Lock 180°	TC-180CLOCK
1B	Key cylinder lock 180° (optional)	TC-180KEYLOCK
2	Cam for lock (included in Pos 1)	TCW806N-02
3	Locking bar	TCW603-01
4	Side handle	TCW807NBK1-14
5	Screws for side handle (4pcs)	TCW603-08
6	Slider 16" 36 mm Right (1pc)	TCW810N-05
7	Slider 16" 36 mm Left (1pc)	TCW810N-06
8	Clip for slider (included in Pos 6 & 7)	TC803N-13
9	Drawer 575 x 380 x 75 mm Black	TSW26B-75
10	Drawer 575 x 380 x 75 mm Black with Logo	TSW26BF-75
11A	Aluminium drawer handle (3 pcs)	ALUE803
11B	Aluminium drawer handle (4 pcs)	ALUE804
12	Plastic spacer for casters 10 mm (1 pc)	TCW603-03
13	Screws for casters (4 pcs)	TCW603-09
14	Fixed casters 5" x 1-1/4" (1 pc)	TCW807N-13
15	Swivel casters 5" x 1-1/4" (1 pc)	TCW807N-12

ADDITIONAL IMAGES



WWW.TENGOOLS.COM



LIST OF CONTENTS



- TSS26B16** 26" PRO35™ stack tool storage 16 drawers black
- TSM26B3** 26" PRO35™ tool chest 3 drawers black
- TST26B4** 26" PRO35™ tool chest 4 drawers black
- TSW26B9** 26" PRO35™ roller cabinet 9 drawers black