

# Datasheet

PCB Transformers – open type – 2x115V

## RS Pro

The PCB mounting mains Transformers 3VA to 12VA are high quality isolating transformers designed for use in general applications. Designed according to the following specifications

- The twin 115V primary windings have to be connected in series for 230V or parallel for 115V operation
- The two independent secondary windings may be connected in series for double voltage or in parallel to give double current
- Full varnish impregnation
- Fully shrouded bobbins
- Double section metric bobbin for class II construction providing double or reinforced insulation with the shrouds.
- 100% electrical and flash tested

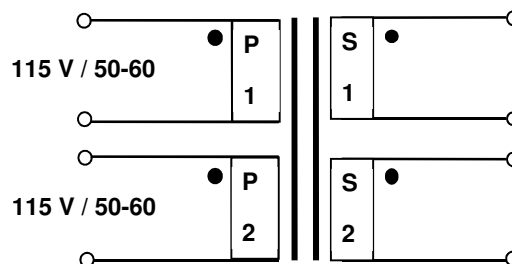
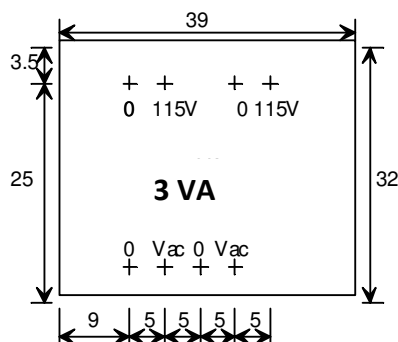


### Specifications

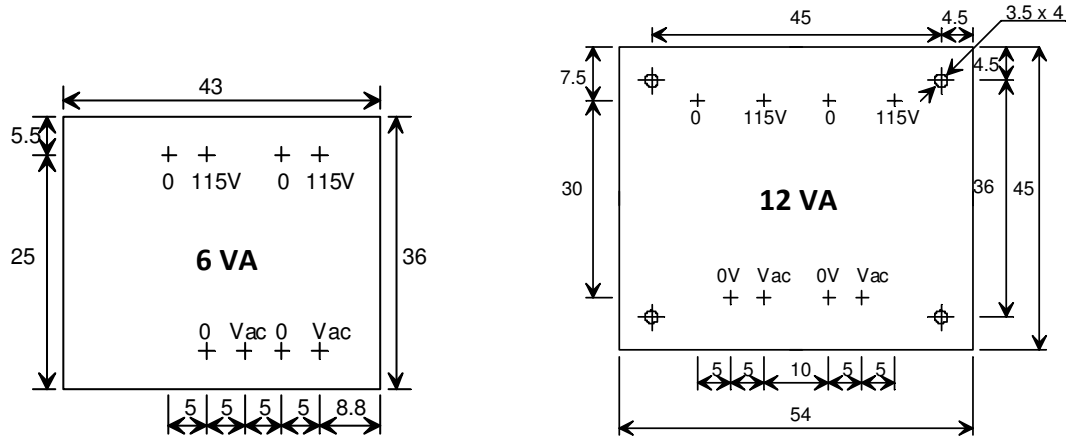
Power:	3 – 12 VA
Frequency:	50 / 60 Hz
Primary:	2x115 VAC
Secondary:	2 Parallel
Isolation:	4 kV RMS
Temp class:	B (130 °C)
Protection cl.:	IP00
According to:	EN61558-1 EN61558-2-6



### Pin layout / Schematic:



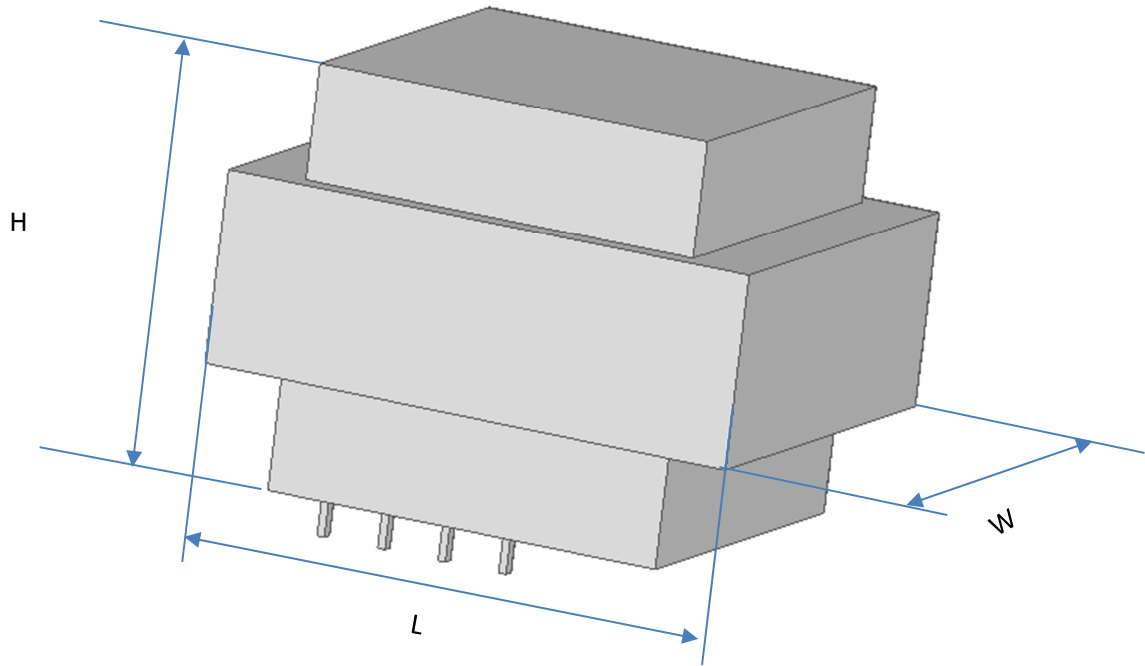
Pin layout:



Ordering details:

RS Stock number	Power VA	Specification	No-load voltage	According to
504381	3	PCB mount Transformer, open type, 2x115V / 2x6V	7.8 V	EN61558-2-6
504385	3	PCB mount Transformer, open type, 2x115V/ 2x9V	11.7 V	EN61558-2-6
504397	3	PCB mount Transformer, open type, 2x115V / 2x12V	15.5 V	EN61558-2-6
504391	3	PCB mount Transformer, open type, 2x115V / 2x15V	19.3 V	EN61558-2-6
504379	3	PCB mount Transformer, open type, 2x115V / 2x24V	31.6 V	EN61558-2-6
504347	6	PCB mount Transformer, open type, 2x115V / 2x6V	8.15 V	EN61558-2-6
504357	6	PCB mount Transformer, open type, 2x115V / 2x9V	12.2 V	EN61558-2-6
504353	6	PCB mount Transformer, open type, 2x115V / 2x12V	16.3 V	EN61558-2-6
504363	6	PCB mount Transformer, open type, 2x115V / 2x15V	20.4 V	EN61558-2-6
504369	6	PCB mount Transformer, open type, 2x115V / 2x24V	33.2 V	EN61558-2-6
504436	12	PCB mount Transformer, open type, 2x115V / 2x6V	7.0 V	EN61558-2-6
504432	12	PCB mount Transformer, open type, 2x115V / 2x9V	10.5 V	EN61558-2-6
504448	12	PCB mount Transformer, open type, 2x115V / 2x12V	14.0 V	EN61558-2-6
504442	12	PCB mount Transformer, open type, 2x115V / 2x15V	17.5 V	EN61558-2-6
504426	12	PCB mount Transformer, open type, 2x115V / 2x24V	28.0 V	EN61558-2-6

**Dimensions and fittings:**



Power	Overall Size	Weight	Efficiency
[VA]	L x W x H [mm]	[kg]	%
3	39x32x30	0.14	>67%
6	43x36x33	0.18	>77%
12	54x41x45	0.4	>82%