



26" PRO35™ ROLLER CABINET TOOL KIT 628 PIECES RED

- TengTools 26" 628 piece roller cabinet, ideal for industrial applications
- Each drawer is fully extendable with a load capacity of 30kg, and is equipped with ball bearing slides and noise reducing EVA mats
- The roller cabinet features a 3-piece heavy gauge steel construction
- Powder coated and treated with a phosphate-free 5-step rust prevention process for long lasting performance
- 5" wheels and a comfort grip handle for easy manoeuvrability
- Compatible with the TengTools Tool Control system for tools that are both well organised and easily accessible

The TengTools 26" PRO35™ tool kit TKW26R628T in matte red is a versatile and robust 628-piece tool set designed for professionals in various industrial applications. It includes a wide selection of tools intended for industrial use, including 12-point sockets with 1/4", 3/8", and 1/2" square drives, bit sockets, ratchets, impact tools, combination wrenches, screwdrivers, bits, hex and TX keys with T-handles, pliers, files, pullers, scraping tools, and other hand tools. All tools are placed in modules that are part of the TengTools Tool Control System, promoting an organized workspace and facilitating quick identification of missing tools. The TSW26R7 roller cabinet measures 680 mm in width, 460 mm in depth, and 960 mm in height with castors mounted. It features seven fully extendable drawers: five drawers with a height of 75 mm and two larger drawers at 154 mm. Each drawer is equipped with smooth-running ball bearing slides and a noise-reducing EVA mat that protects both the tools and reduces noise levels. Each drawer has a load capacity of up to 40 kg. A 5 mm EVA mat is included for the top surface of the roller cabinet. For ease of movement, the cabinet is equipped with two 5" braked swivel castors and two 5" fixed castors, along with a comfort handle. Above the drawers on the front of the cabinet is a 3-digit combination lock that secures all drawers. The cabinet also features accessory holes on both sides. The set includes a paper roll holder (TCA08).

General information

Country of origin: Taiwan
Barcode: 5020385215498
Tariff code Europe: 8206000000
ECCN US: EAR99
UNSPSC: 27113201

Dimensions

Net weight (g): 104720
Width (mm): 680
Depth (mm): 460
Height (mm): 690
Height with castors (mm): 690
Max static load: 530 kg
Max dynamic load: 330 kg
Number of drawer: 7
Drawer capacity: 7 × 40 kg
Drawer depth: 7 × 380 mm
Drawer height: 5 × 75 mm, 2 × 154 mm
Drawer width: 7 × 575 mm

Attributes

Product type: Mobile Tool Kits
User segment: Industry
Number of pieces: 628
Inlay material: PS
Colour: Red
Castor size: 5" x 1-1/4"
Braked swivel castors: 2
Fixed castors: 2
Type of work top: 5 mm EVA mat

Features



Technical changes and errors may occur. 01-08-2024 20:00



DESIGNED IN SWEDEN

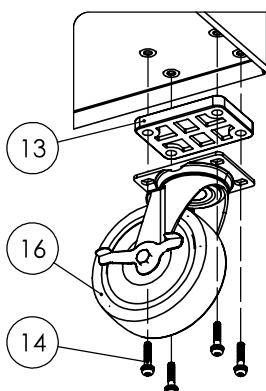
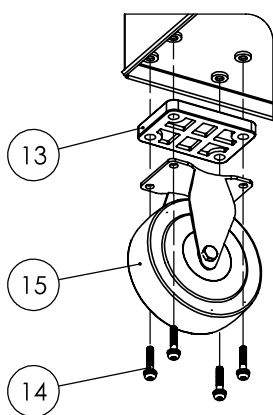
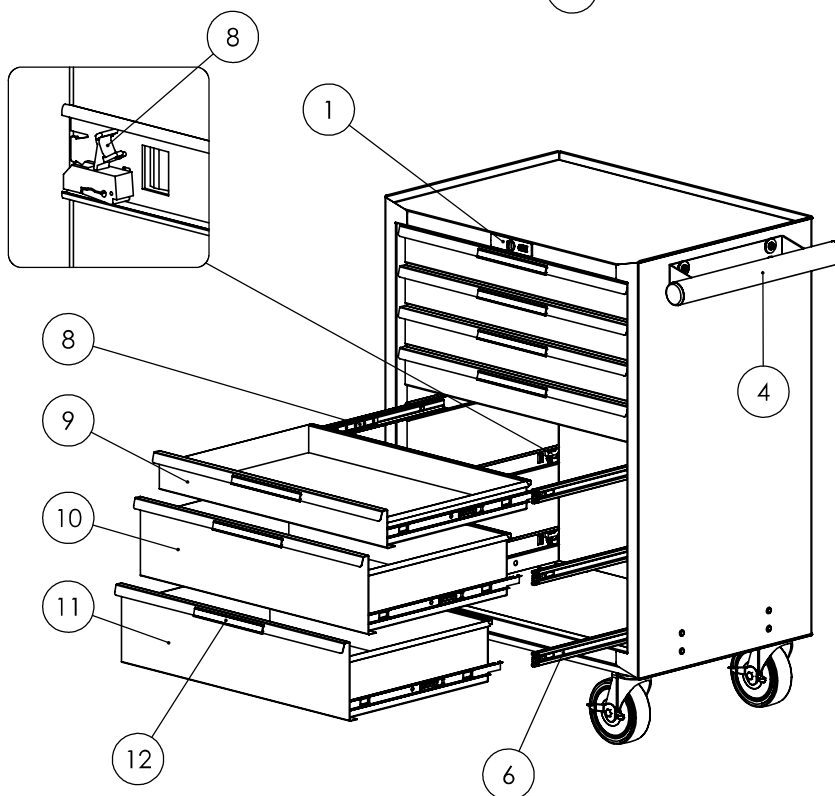
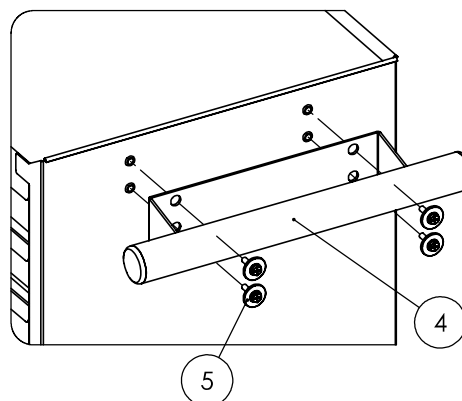
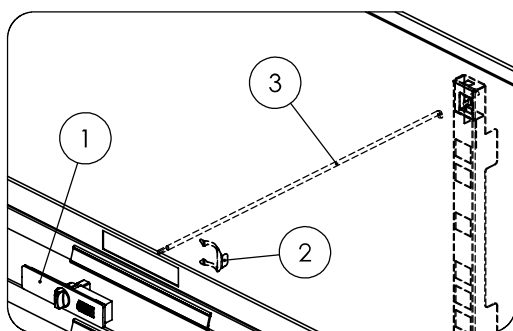
TengTools is a Swedish company present in more than 30 markets worldwide, and offers hand tools in smart storage solutions for demanding professionals within the automotive, maintenance and engineering sectors, as well as motor sport enthusiasts who aspire to use the same tools as top mechanics across the globe.



Sandbergsvägen 3
 441 39 Alingsås, Sweden

SPARE PART LIST

TSW26R7
Version: 4

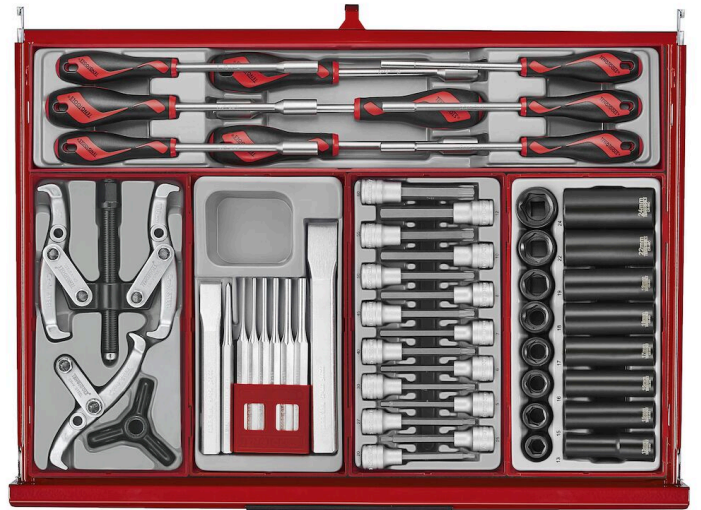
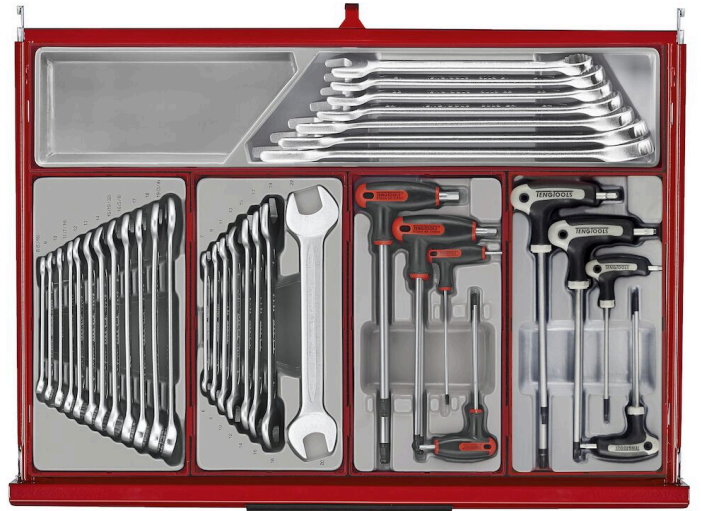


POS	DESCRIPTION	ITEM ID
1A	Combination lock 180°	TC-180CLOCK
1B	Key cylinder lock 180° (optional)	TC-180KEYLOCK
2	Cam for lock (included in Pos 1)	TCW806N-02
3	Locking bar	TCW603-01
4	Side handle	TCW807NBK1-14
5	Screws for side handle (4pcs)	TCW603-08
6	Slider 16" 36 mm Right (1pc)	TCW806N-06
7	Slider 16" 36 mm Left (1pc)	TCW810N-06
8	Clip for sliders (included in Pos 6 & 7)	Wheel back.iam
9	Drawer 575 x 380 x 75 mm Red	TSW26R-75
10	Drawer 575 x 380 x 154 mm Red	TSW26R-150
11	Drawer 575 x 380 x 154 mm Red with Logo	TSW26RF-150
12A	Aluminium drawer handle (3 pcs)	ALUE803
12B	Aluminium drawer handle (4 pcs)	ALUE804
13	Plastic spacer for casters 10 mm (1 pc)	TCW603-03
14	Screws for casters (4 pcs)	TCW603-09
15	Fixed casters 5" x 1-1/4" (1 pc)	TCW807N-13
16	Swivel casters 5" x 1-1/4" (1 pc)	TCW807N-12

ADDITIONAL IMAGES



WWW.TENGOOLS.COM





LIST OF CONTENTS



TKW26R628T 26" PRO35™ roller cabinet tool kit 628 pieces red

TCA08 Paper roll holder for side handle

TSW26R7 26" PRO35™ roller cabinet 7 drawers red

TT1205 1/2" Ratchet & Accessories Set TTI 5 Pieces

1200-72U 1/2" Ratchet 72 Teeth IP5X

M120021-C 1/2" Extension Bar 125 mm

M120022-C 1/2" Extension Bar 255 mm

M120030-C 1/2" Universal Joint

M380036-C Step Up Adaptor 3/8"F - 1/2"M

TT1217 1/2" Socket Set 12 pt TTI 17 Pieces

M120510-C 1/2" Socket 12 pt Metric 10 mm

M120511-C 1/2" Socket 12 pt Metric 11 mm

M120512-C 1/2" Socket 12 pt Metric 12 mm

M120513-C 1/2" Socket 12 pt Metric 13 mm

M120514-C 1/2" Socket 12 pt Metric 14 mm

M120515-C 1/2" Socket 12 pt Metric 15 mm

M120516-C 1/2" Socket 12 pt Metric 16 mm

M120517-C 1/2" Socket 12 pt Metric 17 mm

M120518-C 1/2" Socket 12 pt Metric 18 mm

M120519-C 1/2" Socket 12 pt Metric 19 mm

M120520-C 1/2" Socket 12 pt Metric 20 mm

M120521-C 1/2" Socket 12 pt Metric 21 mm

M120522-C 1/2" Socket 12 pt Metric 22 mm

M120524-C 1/2" Socket 12 pt Metric 24 mm

M120527-C 1/2" Socket 12 pt Metric 27 mm

M120530-C 1/2" Socket 12 pt Metric 30 mm

M120532-C 1/2" Socket 12 pt Metric 32 mm

TT1236 Combination Spanner Set TTI 12 Pieces

600508 Combination Spanner Metric 8 mm

600509 Combination Spanner Metric 9 mm

600510 Combination Spanner Metric 10 mm

600511 Combination Spanner Metric 11 mm

600512 Combination Spanner Metric 12 mm

600513 Combination Spanner Metric 13 mm

600514 Combination Spanner Metric 14 mm

600515 Combination Spanner Metric 15 mm

600516 Combination Spanner Metric 16 mm

600517 Combination Spanner Metric 17 mm

600518 Combination Spanner Metric 18 mm

600519 Combination Spanner Metric 19 mm

TT143512 1/4" Socket Set 12 pt TTI 35 Pieces

1400-72U	1/4" Ratchet 72 Teeth IP5X
FL2508A03	1/4" Flat Bits 25 mm 0.8 × 4.0 mm
FL2508B03	1/4" Flat Bits 25 mm 0.8 × 5.5 mm
HEX2500503	1/4" Hex Bits 25 mm 5 mm
HEX2500603	1/4" Hex Bits 25 mm 6 mm
M140015-C	1/4" Spinner Handle
M140020-C	1/4" Extension Bar 50 mm
M140021-C	1/4" Extension Bar 100 mm
M140030-C	1/4" Universal Joint
M140060-C	1/4" Bit Adaptor Hex Bit Coupler
M14050412-C	1/4" Socket 12 pt Metric 4 mm
M14050512-C	1/4" Socket 12 pt Metric 5 mm
M140505512-C	1/4" Socket 12 pt Metric 5.5 mm
M14050612-C	1/4" Socket 12 pt Metric 6 mm
M14050712-C	1/4" Socket 12 pt Metric 7 mm
M14050812-C	1/4" Socket 12 pt Metric 8 mm
M14050912-C	1/4" Socket 12 pt Metric 9 mm
M14051012-C	1/4" Socket 12 pt Metric 10 mm
M14051112-C	1/4" Socket 12 pt Metric 11 mm
M14051212-C	1/4" Socket 12 pt Metric 12 mm
M14051312-C	1/4" Socket 12 pt Metric 13 mm
M14060612-C	1/4" Deep Socket 12 pt Metric 6 mm
M14060712-C	1/4" Deep Socket 12 pt Metric 7 mm
M14060812-C	1/4" Deep Socket 12 pt Metric 8 mm
M14061012-C	1/4" Deep Socket 12 pt Metric 10 mm
M14061212-C	1/4" Deep Socket 12 pt Metric 12 mm
M14061312-C	1/4" Deep Socket 12 pt Metric 13 mm
M380035-C	Reducing Adaptor 3/8"F - 1/4"M
PH2500103	1/4" PH Bits 25 mm PH1
PH2500203	1/4" PH Bits 25 mm PH2
PZ2500103	1/4" PZ Bits 25 mm PZ1
PZ2500203	1/4" PZ Bits 25 mm PZ2
TPX2501003	1/4" TPX Bits 25 mm TPX10
TPX2501503	1/4" TPX Bits 25 mm TPX15
TPX2502003	1/4" TPX Bits 25 mm TPX20
TT1448	1/4" Socket & Bits Set TT1 48 Pieces
FL2506A03	1/4" Flat Bits 25 mm 0.6 × 3.5 mm
FL2510A03	1/4" Flat Bits 25 mm 1.0 × 5.5 mm
FL2516A03	1/4" Flat Bits 25 mm 1.6 × 8.0 mm
FL8905A01	1/4" Flat Bits 89 mm 0.5 × 3.0 mm
FL8908A01	1/4" Flat Bits 89 mm 0.8 × 4.0 mm
HEX2500203	1/4" Hex Bits 25 mm 2 mm
HEX2500303	1/4" Hex Bits 25 mm 3 mm

HEX2500403	1/4" Hex Bits 25 mm 4 mm
HEX2500503	1/4" Hex Bits 25 mm 5 mm
HEX2500603	1/4" Hex Bits 25 mm 6 mm
HEX2500803	1/4" Hex Bits 25 mm 8 mm
M140023-C	1/4" Extension Bar 75 mm
M140505-C	1/4" Socket 6 pt Metric 5 mm
M1405055-C	1/4" Socket 6 pt Metric 5.5 mm
M140506-C	1/4" Socket 6 pt Metric 6 mm
M140507-C	1/4" Socket 6 pt Metric 7 mm
M140508-C	1/4" Socket 6 pt Metric 8 mm
M140509-C	1/4" Socket 6 pt Metric 9 mm
M140510-C	1/4" Socket 6 pt Metric 10 mm
M140511-C	1/4" Socket 6 pt Metric 11 mm
M140512-C	1/4" Socket 6 pt Metric 12 mm
M140513-C	1/4" Socket 6 pt Metric 13 mm
PH2500103	1/4" PH Bits 25 mm PH1
PH2500203	1/4" PH Bits 25 mm PH2
PH2500303	1/4" PH Bits 25 mm PH3
PH8900101	1/4" PH Bits 89 mm PH1
PH8900201	1/4" PH Bits 89 mm PH2
PM14	1/4" Gearless Palm Ratchet
PZ2500103	1/4" PZ Bits 25 mm PZ1
PZ2500203	1/4" PZ Bits 25 mm PZ2
PZ2500303	1/4" PZ Bits 25 mm PZ3
PZ8900101	1/4" PZ Bits 89 mm PZ1
PZ8900201	1/4" PZ Bits 89 mm PZ2
ROB2500103	1/4" ROB Bits 25 mm ROB1
ROB2500203	1/4" ROB Bits 25 mm ROB2
ROB2500303	1/4" ROB Bits 25 mm ROB3
TPX2502003	1/4" TPX Bits 25 mm TPX20
TPX2502503	1/4" TPX Bits 25 mm TPX25
TPX2503003	1/4" TPX Bits 25 mm TPX30
TX2501003	1/4" TX Bits 25 mm TX10
TX2501503	1/4" TX Bits 25 mm TX15
TX2502003	1/4" TX Bits 25 mm TX20
TX2502503	1/4" TX Bits 25 mm TX25
TX2503003	1/4" TX Bits 25 mm TX30
TX2504003	1/4" TX Bits 25 mm TX40
TX8901001	1/4" TX Bits 89 mm TX10
TX8902001	1/4" TX Bits 89 mm TX20
TX8902501	1/4" TX Bits 89 mm TX25
TT381912	3/8" Socket Set 12 pt TT1 19 Pieces
3800-72U	3/8" Ratchet 72 Teeth IP5X
M120036-C	Reducing Adaptor 1/2" F - 3/8" M

M380020W-C	3/8" Wobble Extension Bar 75 mm
M380030-C	3/8" Universal Joint
M380060-C	3/8" Bit Adaptor Hex bit coupler 1/4" Hex
M38050812-C	3/8" Socket 12 pt Metric 8 mm
M38050912-C	3/8" Socket 12 pt Metric 9 mm
M38051012-C	3/8" Socket 12 pt Metric 10 mm
M38051112-C	3/8" Socket 12 pt Metric 11 mm
M38051212-C	3/8" Socket 12 pt Metric 12 mm
M38051312-C	3/8" Socket 12 pt Metric 13 mm
M38051412-C	3/8" Socket 12 pt Metric 14 mm
M38051512-C	3/8" Socket 12 pt Metric 15 mm
M38051612-C	3/8" Socket 12 pt Metric 16 mm
M38051712-C	3/8" Socket 12 pt Metric 17 mm
M38051812-C	3/8" Socket 12 pt Metric 18 mm
M38051912-C	3/8" Socket 12 pt Metric 19 mm
M38052212-C	3/8" Socket 12 pt Metric 22 mm
PT3810R	3/8" Rotating Spinner Handle
TT440Q	Plier Set Vinyl Grip Q TT1 4 Pieces
MB441-6	Side Cutting Plier 160 mm
MB452-7	Heavy Duty Combination Plier 185 mm
MB461-8	Long Nose Plier 200 mm
MB482-10Q	Quick Set Water Pump Plier HRC60 250 mm
TT474-7E	Circlip Plier Set PRO 19-60 mm TT1 4 Pieces
MBE470-7	Circlip Plier Inner Straight PRO 175 mm
MBE471-7	Circlip Plier Inner Bent PRO 175 mm
MBE472-7	Circlip Plier Outer Straight PRO 175 mm
MBE473-7	Circlip Plier Outer Bent PRO 165 mm
TT6208	Double Open Ended Spanner Set TT1 8 Pieces
620607	Double Open Ended Spanner Metric 6 × 7 mm
620809	Double Open Ended Spanner Metric 8 × 9 mm
621011	Double Open Ended Spanner Metric 10 × 11 mm
621213	Double Open Ended Spanner Metric 12 × 13 mm
621415	Double Open Ended Spanner Metric 14 × 15 mm
621617	Double Open Ended Spanner Metric 16 × 17 mm
621819	Double Open Ended Spanner Metric 18 × 19 mm
622022	Double Open Ended Spanner Metric 20 × 22 mm
TT804	Puller Set TT1 4 Pieces
TT804-01	Spare Parts for Puller Set TT804 Long Screw
TT804-02	Spare Parts for Puller Set TT804 Replacement Arm
TT804-03	Spare Parts for Puller Set TT804 Plate
TT804-04	Spare Parts for Puller Set TT804 Screw
TT804-05	Spare Parts for Puller Set TT804 Three Arm Holder

TT804-06	Spare Parts for Puller Set TT804 Two Arm Holder
TT9116N	1/2" Impact Socket Set ANSI TT1 16 Pieces
920513AN	1/2" Impact Socket ANSI Metric 13 mm
920515AN	1/2" Impact Socket ANSI Metric 15 mm
920516AN	1/2" Impact Socket ANSI Metric 16 mm
920517AN	1/2" Impact Socket ANSI Metric 17 mm
920518AN	1/2" Impact Socket ANSI Metric 18 mm
920519AN	1/2" Impact Socket ANSI Metric 19 mm
920522AN	1/2" Impact Socket ANSI Metric 22 mm
920524AN	1/2" Impact Socket ANSI Metric 24 mm
920613AN	1/2" Deep Impact Socket ANSI Metric 13 mm
920615AN	1/2" Deep Impact Socket ANSI Metric 15 mm
920616AN	1/2" Deep Impact Socket ANSI Metric 16 mm
920617AN	1/2" Deep Impact Socket ANSI Metric 17 mm
920618AN	1/2" Deep Impact Socket ANSI Metric 18 mm
920619AN	1/2" Deep Impact Socket ANSI Metric 19 mm
920622AN	1/2" Deep Impact Socket ANSI Metric 22 mm
920624AN	1/2" Deep Impact Socket ANSI Metric 24 mm
TT917N	Screwdriver Set Mixed TT1 7 Pieces
MD920N	Flat Screwdriver 0.5 × 3.0 × 75 mm S
MD922N	Flat Screwdriver 1.0 × 5.5 × 75 mm S
MD932N	Flat Screwdriver 1.2 × 6.5 × 100 mm L Hex Shaft
MD940N	PH Screwdriver PH0 × 75 mm S
MD947N1	PH Screwdriver PH1 × 75 mm M
MD952N	PH Screwdriver PH2 × 100 mm L Hex Shaft
MD962N2	PZ Screwdriver PZ2 × 100 mm L Hex Shaft
TT917TXN	Screwdriver Set TX & TPX TT1 7 Pieces
MD610TPN	TPX Screwdriver TPX10 × 100 mm M
MD615TPN	TPX Screwdriver TPX15 × 100 mm M
MD620TPN	TPX Screwdriver TPX20 × 100 mm M
MD625TPN	TPX Screwdriver TPX25 × 100 mm L
MD630TPN	TPX Screwdriver TPX30 × 100 mm L
MD908TN	TX Screwdriver TX8 × 75 mm S
MD909TN	TX Screwdriver TX9 × 75 mm S
TTALU	Clip Rail Set TT1 32 Pieces
ALU12	Socket Clips 10 × 1/2"
ALU14	Socket Clips 10 × 1/4"
ALU38	Socket Clips 10 × 3/8"
TTCP121	Crimping Plier Set TT1 121 Pieces
CP50	Crimping Plier 9" Red Handle
TTHEX7	T-Handle Ball Point Hex Key Set TT1 7 Pieces
5105025	T Handle Ball Point Hex Key Metric 2.5 mm

510503	T Handle Ball Point Hex Key Metric 3 mm
510504	T Handle Ball Point Hex Key Metric 4 mm
510505	T Handle Ball Point Hex Key Metric 5 mm
510506	T Handle Ball Point Hex Key Metric 6 mm
510507	T Handle Ball Point Hex Key Metric 7 mm
510508	T Handle Ball Point Hex Key Metric 8 mm
TTHR81	Rivet Gun Set TT1 81 Pieces
HR01	Hand Rivet Gun Aluminium Alloy 2.4/3.2/4.0/4.8 mm
TTHT28	Ball Point Hex & TX Key Set TT1 28 Pieces
3101025BL	Ball Point Hex Key AF 5/64"
310103BL	Ball Point Hex Key AF 3/32"
310104BL	Ball Point Hex Key AF 1/8"
310105BL	Ball Point Hex Key AF 5/32"
310106BL	Ball Point Hex Key AF 3/16"
310107BL	Ball Point Hex Key AF 7/32"
310108BL	Ball Point Hex Key AF 1/4"
310110BL	Ball Point Hex Key AF 5/16"
310112BL	Ball Point Hex Key AF 3/8"
3105015BL-C	Ball Point Hex Key Metric 1.5 mm
3105025BL-C	Ball Point Hex Key Metric 2.5 mm
310502BL-C	Ball Point Hex Key Metric 2 mm
310503BL-C	Ball Point Hex Key Metric 3 mm
310504BL-C	Ball Point Hex Key Metric 4 mm
310505BL-C	Ball Point Hex Key Metric 5 mm
310506BL-C	Ball Point Hex Key Metric 6 mm
310507BL-C	Ball Point Hex Key Metric 7 mm
310508BL-C	Ball Point Hex Key Metric 8 mm
310510BL-C	Ball Point Hex Key Metric 10 mm
320008	TX Key TX8
320009	TX Key TX9
320010	TX Key TX10
320015	TX Key TX15
320020	TX Key TX20
320025	TX Key TX25
320027	TX Key TX27
320030	TX Key TX30
320040	TX Key TX40
TTMD74	Ratcheting Screwdriver Bit Set TT1 74 Pieces
FL2506A03	1/4" Flat Bits 25 mm 0.6 × 3.5 mm
FL2506B03	1/4" Flat Bits 25 mm 0.6 × 4.5 mm
FL2507A03	1/4" Flat Bits 25 mm 7 mm
FL2508A03	1/4" Flat Bits 25 mm 0.8 × 4.0 mm
FL2508B03	1/4" Flat Bits 25 mm 0.8 × 5.5 mm

PZ2500203	1/4" PZ Bits 25 mm PZ2
PZ2500303	1/4" PZ Bits 25 mm PZ3
ROB2500103	1/4" ROB Bits 25 mm ROB1
ROB2500203	1/4" ROB Bits 25 mm ROB2
ROB2500303	1/4" ROB Bits 25 mm ROB3
TPX2501003	1/4" TPX Bits 25 mm TPX10
TPX2501503	1/4" TPX Bits 25 mm TPX15
TPX2502003	1/4" TPX Bits 25 mm TPX20
TPX2502003	1/4" TPX Bits 25 mm TPX20
TPX2502503	1/4" TPX Bits 25 mm TPX25
TPX2502503	1/4" TPX Bits 25 mm TPX25
TPX2502703	1/4" TPX Bits 25 mm TPX27
TPX2503003	1/4" TPX Bits 25 mm TPX30
TPX2504003	1/4" TPX Bits 25 mm TPX40
TTMD74-1	1/4" Bits Driver Extension 100 mm
TTMD74-2	1/4" Bits Driver Extension 150 mm Flexible
TX2500603	1/4" TX Bits 25 mm TX6
TX2500703	1/4" TX Bits 25 mm TX7
TX2500803	1/4" TX Bits 25 mm TX8
TX2500903	1/4" TX Bits 25 mm TX9
TX2501003	1/4" TX Bits 25 mm TX10
TX2501503	1/4" TX Bits 25 mm TX15
TX2502003	1/4" TX Bits 25 mm TX20
TX2502003	1/4" TX Bits 25 mm TX20
TX2502003	1/4" TX Bits 25 mm TX20
TX2502503	1/4" TX Bits 25 mm TX25
TX2502503	1/4" TX Bits 25 mm TX25
TX2502503	1/4" TX Bits 25 mm TX25
TX2502703	1/4" TX Bits 25 mm TX27
TX2503003	1/4" TX Bits 25 mm TX30
TX2504003	1/4" TX Bits 25 mm TX40

TTNF12 Needle File Set TT1 12 Pieces

TTNF12-01	Needle File Flat
TTNF12-02	Needle File Half round
TTNF12-03	Needle File Triangular
TTNF12-04	Needle File Square
TTNF12-05	Needle File Round
TTNF12-06	Needle File Flat point
TTNF12-07	Needle File Knife type
TTNF12-08	Needle File Barrette
TTNF12-09	Needle File Crossing
TTNF12-10	Needle File Oval
TTNF12-11	Needle File Feather

TTNF12-12 Needle File Round edge flat

TTPC09 Punch & Chisel Set TT1 9 Pieces

CC150F Flat Cold Chisel 150 × 18 mm

CC200F Flat Cold Chisel 200 × 25 mm

CP05 Centre Punch 5 mm

PP03 Parallel Pin Punch 3 mm

PP04 Parallel Pin Punch 4 mm

PP05 Parallel Pin Punch 5 mm

PP06 Parallel Pin Punch 6 mm

PP07 Parallel Pin Punch 7 mm

PP08 Parallel Pin Punch 8 mm

TTPS09 General Tool Set BP TT4 9 Pieces

4002 Adjustable Wrench 150 mm

4004 Adjustable Wrench 250 mm

401-10 Curved Jaw Power Grip Plier 235 mm

701 Hacksaw 24TPI Metal

710 Utility Knife

HMBP24 Ball Pein Hammer 24oz

HMSF Soft Face Hammer

MT03 Measuring Tape Metric/Inch 3m

ST200 Steel Rule mm/AF 200 mm

TTSR04 Scraper Set TT1 4 Pieces

MD-SCR Gasket Scraper 22 mm

MDA-R Awl Round Tip

MDH-L Hook Tool Curved

MDH-S Cotter Pin Puller

TTTX7 T-Handle TX/TPX Key Set TT1 7 Pieces

520010 T Handle Ball Point TX Key TX10

520015 T Handle Ball Point TX Key TX15

520020 T Handle Ball Point TX Key TX20

520025 T Handle Ball Point TX Key TX25

520027 T Handle Ball Point TX Key TX27

520030 T Handle Ball Point TX Key TX30

520040 T Handle Ball Point TX Key TX40

TTTXH15 1/2" Long Hex & TX Bit Socket Set TT1 15 Pieces

M122220T-C 1/2" Long TX Bit Socket TX20

M122225T-C 1/2" Long TX Bit Socket TX25

M122227T-C 1/2" Long TX Bit Socket TX27

M122230T-C 1/2" Long TX Bit Socket TX30

M122240T-C 1/2" Long TX Bit Socket TX40

M122245T-C 1/2" Long TX Bit Socket TX45

M122250T-C 1/2" Long TX Bit Socket TX50

M122255T-C	1/2" Long TX Bit Socket TX55
M122260T-C	1/2" Long TX Bit Socket TX60
M122505-C	1/2" Long Hex Bit Socket Metric 5 mm
M122506-C	1/2" Long Hex Bit Socket Metric 6 mm
M122507-C	1/2" Long Hex Bit Socket Metric 7 mm
M122508-C	1/2" Long Hex Bit Socket Metric 8 mm
M122510-C	1/2" Long Hex Bit Socket Metric 10 mm
M122512-C	1/2" Long Hex Bit Socket Metric 12 mm
TTX00	Storage Tray TTX4 1 Compartment
TTX01	Storage Tray TTX4 6 Compartments
TTX2032	Combination Spanner Set TTX4 7 Pieces
600520	Combination Spanner Metric 20 mm
600521	Combination Spanner Metric 21 mm
600522	Combination Spanner Metric 22 mm
600524	Combination Spanner Metric 24 mm
600527	Combination Spanner Metric 27 mm
600530	Combination Spanner Metric 30 mm
600532	Combination Spanner Metric 32 mm
TTXEXT13	Extension Bars Set TTX4 13 Pieces
M120020W-C	1/2" Wobble Extension Bar 75 mm
M120024-C	1/2" Extension Bar 500 mm
M120030-C	1/2" Universal Joint
M140022-C	1/4" Extension Bar 150 mm
M140024-C	1/4" Extension Bar 305 mm
M140030-C	1/4" Universal Joint
M380020W-C	3/8" Wobble Extension Bar 75 mm
M380024-C	3/8" Extension Bar 500 mm
M380030-C	3/8" Universal Joint
M380035-C	Reducing Adaptor 3/8"F - 1/4"M
MDM711	Hex Mini Screwdriver 2
MDM712	Hex Mini Screwdriver 2.5
T-HD	T Bar Handle Grip
TTXF05	Hand File Set TTX4 5 Pieces
FLFT10	Hand File 250 mm Flat
FLHF10	Hand File 250 mm Flat Tapered
FLHR10	Hand File 250 mm Half round
FLRD10	Hand File 250 mm Round
FLTR10	Hand File 250 mm Triangular
TTXMDTN	Power Through Screwdriver Set TTX4 5 Pieces
MDT932N	Flat Power Through Screwdriver 1.2 × 6.5 mm
MDT934N	Flat Power Through Screwdriver 1.2 × 8 mm
MDT935N	Flat Power Through Screwdriver 1.6 × 10 mm

MDT952N PH Power Through Screwdriver PH2

MDT953N PH Power Through Screwdriver PH3

TTXND Nut Driver Set TTX4 9 Pieces

MDN505 Nut Driver 5 mm

MDN5055 Nut Driver 5.5 mm

MDN506 Nut Driver 6 mm

MDN507 Nut Driver 7 mm

MDN508 Nut Driver 8 mm

MDN510 Nut Driver 10 mm

MDN511 Nut Driver 11 mm

MDN512 Nut Driver 12 mm

MDN513 Nut Driver 13 mm