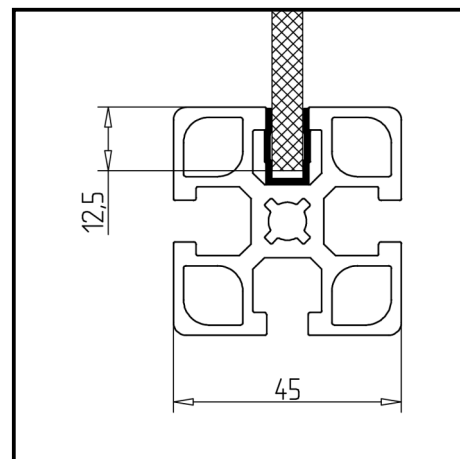
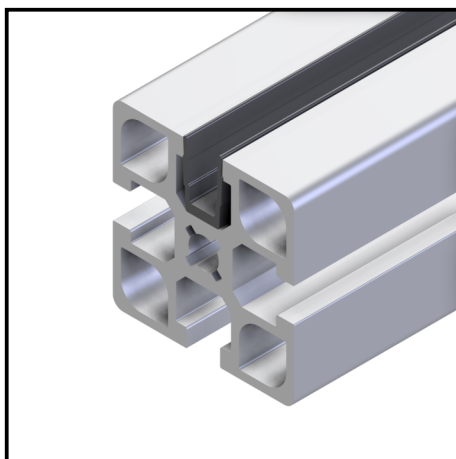
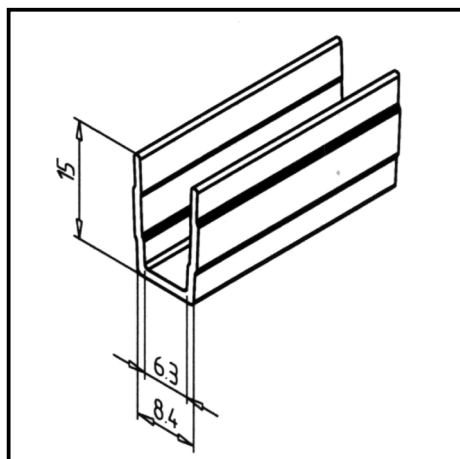


## COVER PROFILE 45 YELLOW

Article Nr. 22.1074/0

[See the product on the website](#) →

[Download CAD Files](#) →



### TECHN. DATA / ITEMS SUPPLIED

- PVC, extruded, yellow
- Colour: zinc yellow similar to RAL1018
- Weight = 0.060 kg/m

### APPLICATIONS

- Mounted with groove inwards:  
For closing profile grooves
- **Mounted with the groove to the outside:**  
For the absorption of surface elements up to 6 mm thickness, dimensional compensation by silicone or sponge rubber cord **part no. 22.1102/0**

### ASSEMBLY

- Snap or slip into profile groove

## COVER PROFILE 45 YELLOW

Article Nr. 22.1074/0

[See the product on the website →](#)

[Download CAD Files →](#)

