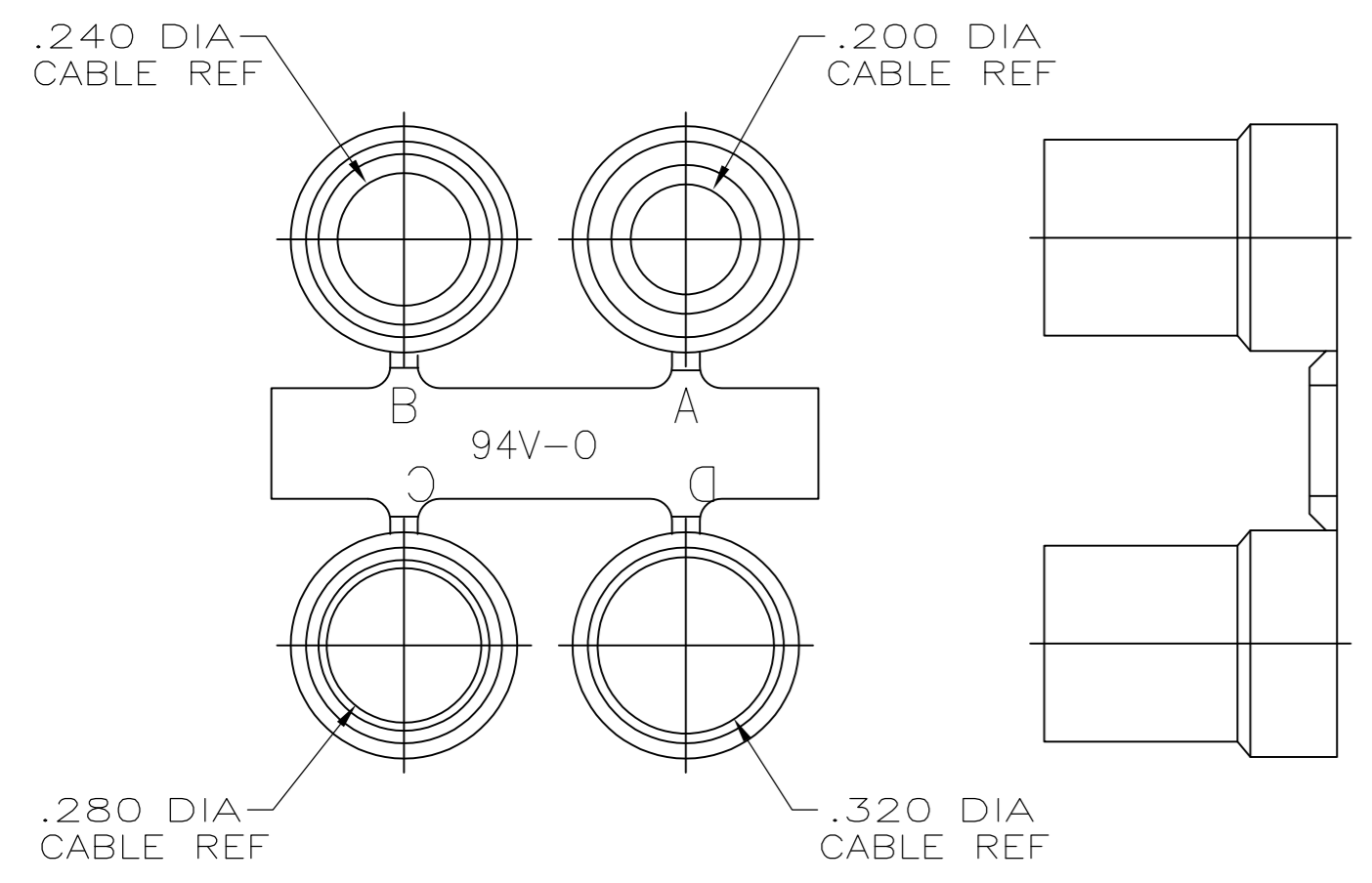
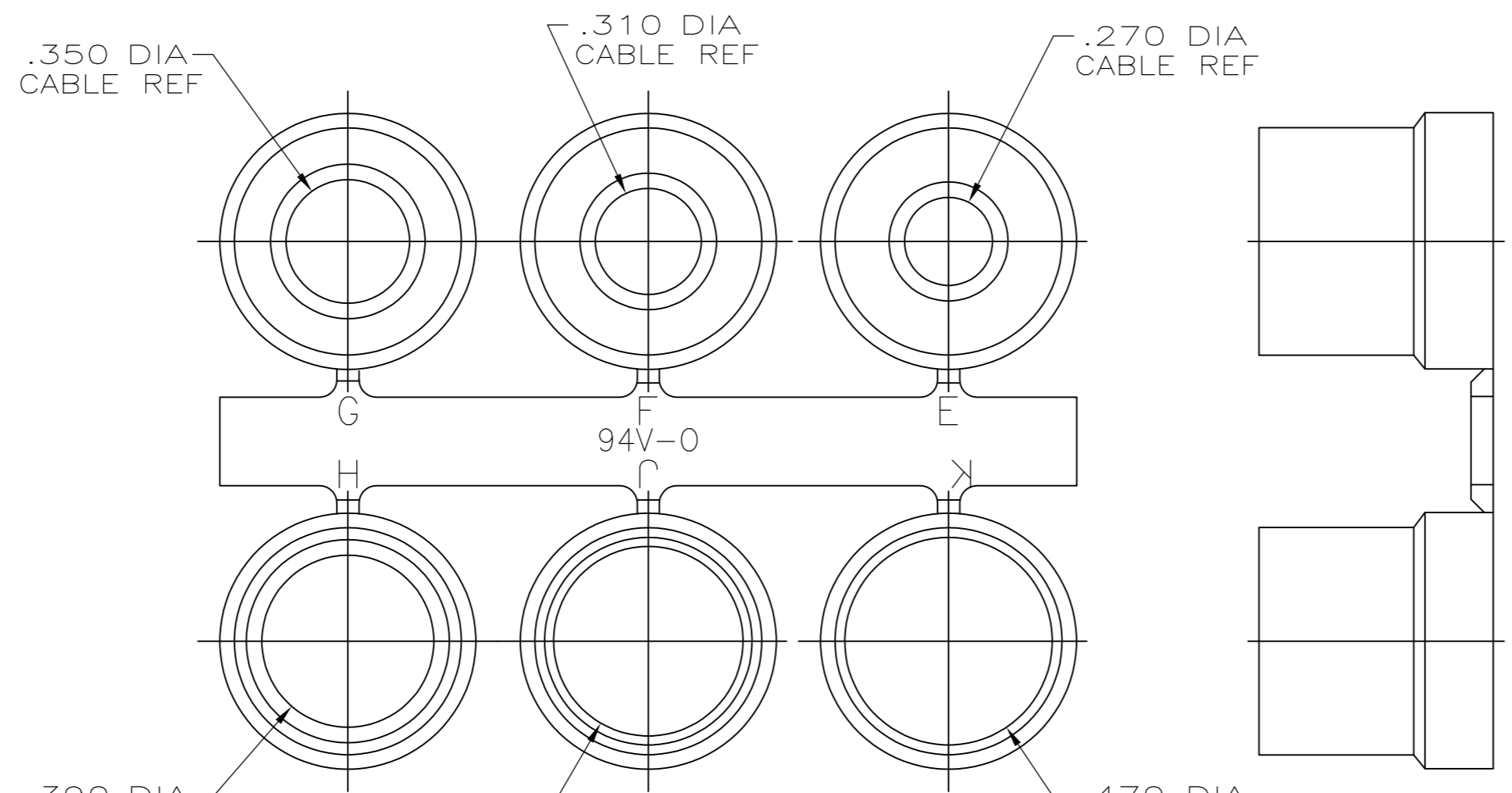


- PARTS PACKAGED UNASSEMBLED AS A UNIT KIT.
- △ CABLE CLAMPS: ABS COMPOUND, COLOR BLACK.  
FILISTER HEAD SCREWS, HEX NUTS & MOUNTING SCREWS: STEEL.  
GROMMETS: FLEXIBLE PVC, UL 94V-0 RATED, COLOR BLACK.
- △ CABLE CLAMPS: UNPLATED.  
FILISTER HEAD SCREWS, HEX NUTS & MOUNTING SCREWS: ZINC PLATED  
CLEAR CHROMATE COATED.
- △ SIZE 3 CONFIGURATION SHOWN. NUMBER AND SIZE OF SLOTS  
IN THIS AREA VARIES BY CABLE CLAMP SIZE.



GROMMET ASSORTMENT  
TYPE 1  
SEE TABLE



GROMMET ASSORTMENT  
TYPE 2  
SEE TABLE

TYPE 2	.900	.730	2.644	1.920	2.406	5	5748678-5
TYPE 2	.800	.620	2.738	1.920	2.500	4	5748678-4
TYPE 2	.680	.640	2.090	1.920	1.852	3	5748678-3
TYPE 1	.620	.620	1.545	1.910	1.312	2	5748678-2
TYPE 1	.570	.630	1.215	1.910	.984	1	5748678-1
GROMMET ASSORTMENT	E	D	C	B	A	SIZE	PART NO

**COPYRIGHT 2005  
TE CONNECTIVITY CORP  
ALL RIGHTS RESERVED**

THIS DRAWING IS A CONTROLLED DOCUMENT.		DWN: R. RICHARDSON 15SEP05	 TE Connectivity
DIMENSIONS: INCHES		CHK: C. ROHDE 15SEP05	
TOLERANCES UNLESS OTHERWISE SPECIFIED:		APVD: M. WALMSLEY 15SEP05	NAME: KIT, CABLE CLAMP, 180 DEGREES EXIT, UNPLATED, BLACK.
0 PLC ± - 1 PLC ± - 2 PLC ± - 3 PLC ± .005 4 PLC ± - ANGLES ± -		PRODUCT SPEC: -	APPLICATION SPEC: -
MATERIAL: △ 2	FINISH: △ 3	WEIGHT: -	RESTRICTED TO: -
CUSTOMER DRAWING		SIZE: A1	SCALE: 3:1
		DRAWING NO: 00779	SHEET: 1 OF 1
		REV: C=5748678	REV: A1