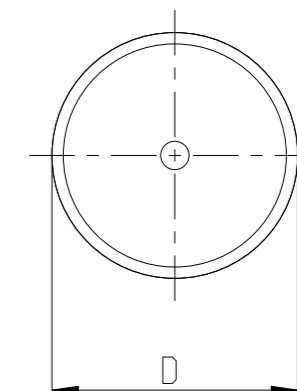
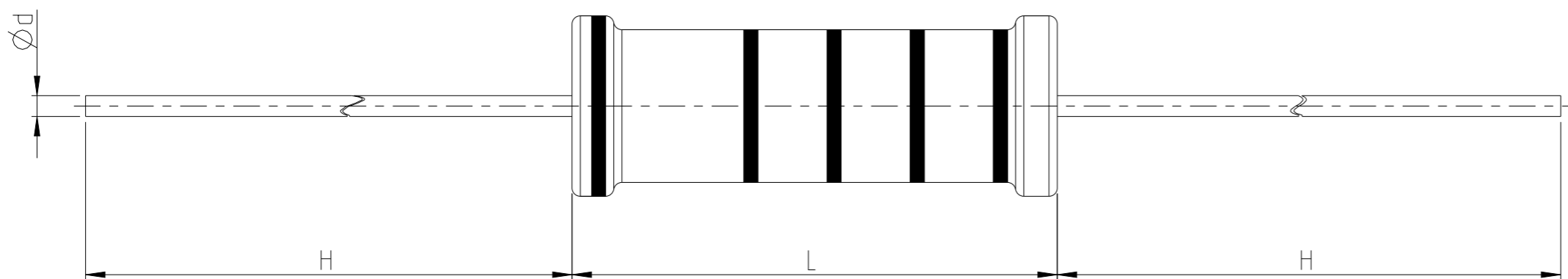


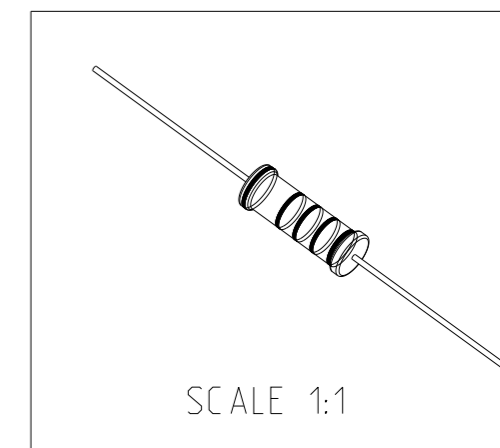
REVISIONS

P	LTR	DESCRIPTION	DATE	DWN	APVD
	BA	INITIAL DRAWING RELEASE	24APR2025	RS	GT

FOR FURTHER INFORMATION SEE DATA SHEET FOR FUSIBLE WIREWOUND FIXED RESISTOR - TYPE FWFU SERIES



POWER RATING	D(MAX)	L(MAX)	D±0.05	H±3
FWFU 3W	6.5	17.5	0.75	28



THIS DRAWING IS A CONTROLLED DOCUMENT.

DWN RAMESHA L S 24APR2025

CHK TRACY G 24APR2025

APVD TRACY G 24APR2025

PRODUCT SPEC -

APPLICATION SPEC -

WEIGHT -

CUSTOMER DRAWING



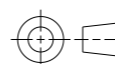
NAME FUSIBLE WIREWOUND FIXED RESISTOR TYPE FWFU 3W SERIES

SIZE A3 CAGE CODE 00779 DRAWING NO C=2176793 RESTRICTED TO -

SCALE 5:1 SHEET 1 OF 2 REV BA

DIMENSIONS:

mm



TOLERANCES UNLESS OTHERWISE SPECIFIED:

- 0 PLC ±
- 1 PLC ±
- 2 PLC ±
- 3 PLC ±
- 4 PLC ±
- ANGLES ±

MATERIAL -

FINISH -

REVISIONS

P	LTR	DESCRIPTION	DATE	DWN	APVD
	-	SEE SHEET 1	-	-	-

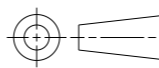
SCHEDULE

TCPN	CATALOGUE NUMBER	PART DESCRIPTION	PART STATUS
2176793-1	FWFU3WR47J	FWFU 3W R47 5%	PRODUCTION
2176793-2	FWFU3WR51J	FWFU 3W R51 5%	PRODUCTION
2176793-3	FWFU3WR56J	FWFU 3W R56 5%	PRODUCTION
2176793-4	FWFU3WR62J	FWFU 3W R62 5%	PRODUCTION
2176793-5	FWFU3WR68J	FWFU 3W R68 5%	PRODUCTION
2176793-6	FWFU3WR75J	FWFU 3W R75 5%	PRODUCTION
2176793-7	FWFU3WR82J	FWFU 3W R82 5%	PRODUCTION
2176793-8	FWFU3WR91J	FWFU 3W R91 5%	PRODUCTION
2176793-9	FWFU3WR0J	FWFU 3W R0 5%	PRODUCTION
1-2176793-0	FWFU3WR1J	FWFU 3W R1 5%	PRODUCTION
1-2176793-1	FWFU3WR2J	FWFU 3W R2 5%	PRODUCTION
1-2176793-2	FWFU3WR3J	FWFU 3W R3 5%	PRODUCTION
1-2176793-3	FWFU3WR5J	FWFU 3W R5 5%	PRODUCTION
1-2176793-4	FWFU3WR6J	FWFU 3W R6 5%	PRODUCTION
1-2176793-5	FWFU3WR8J	FWFU 3W R8 5%	PRODUCTION
1-2176793-6	FWFU3WR0J	FWFU 3W R0 5%	PRODUCTION
1-2176793-7	FWFU3WR2J	FWFU 3W R2 5%	PRODUCTION
1-2176793-8	FWFU3WR4J	FWFU 3W R4 5%	PRODUCTION
1-2176793-9	FWFU3WR7J	FWFU 3W R7 5%	PRODUCTION
2-2176793-0	FWFU3WR0J	FWFU 3W R0 5%	PRODUCTION
2-2176793-1	FWFU3WR3J	FWFU 3W R3 5%	PRODUCTION
2-2176793-2	FWFU3WR6J	FWFU 3W R6 5%	PRODUCTION
2-2176793-3	FWFU3WR9J	FWFU 3W R9 5%	PRODUCTION
2-2176793-4	FWFU3WR3J	FWFU 3W R3 5%	PRODUCTION
2-2176793-5	FWFU3WR7J	FWFU 3W R7 5%	PRODUCTION
2-2176793-6	FWFU3WR1J	FWFU 3W R1 5%	PRODUCTION
2-2176793-7	FWFU3WR6J	FWFU 3W R6 5%	PRODUCTION
2-2176793-8	FWFU3WR2J	FWFU 3W R2 5%	PRODUCTION
2-2176793-9	FWFU3WR8J	FWFU 3W R8 5%	PRODUCTION
3-2176793-0	FWFU3WR5J	FWFU 3W R5 5%	PRODUCTION
3-2176793-1	FWFU3WR2J	FWFU 3W R2 5%	PRODUCTION
3-2176793-2	FWFU3WR1J	FWFU 3W R1 5%	PRODUCTION
3-2176793-3	FWFU3WR0J	FWFU 3W R0 5%	PRODUCTION

SCHEDULE

TCPN	CATALOGUE NUMBER	PART DESCRIPTION	PART STATUS
3-2176793-4	FWFU3W 11RJ	FWFU 3W 11R 5%	PRODUCTION
3-2176793-5	FWFU3W 12RJ	FWFU 3W 12R 5%	PRODUCTION
3-2176793-6	FWFU3W 13RJ	FWFU 3W 13R 5%	PRODUCTION
3-2176793-7	FWFU3W 15RJ	FWFU 3W 15R 5%	PRODUCTION
3-2176793-8	FWFU3W 16RJ	FWFU 3W 16R 5%	PRODUCTION
3-2176793-9	FWFU3W 18RJ	FWFU 3W 18R 5%	PRODUCTION
4-2176793-0	FWFU3W 20RJ	FWFU 3W 20R 5%	PRODUCTION
4-2176793-1	FWFU3W 22RJ	FWFU 3W 22R 5%	PRODUCTION
4-2176793-2	FWFU3W 24RJ	FWFU 3W 24R 5%	PRODUCTION
4-2176793-3	FWFU3W 27RJ	FWFU 3W 27R 5%	PRODUCTION
4-2176793-4	FWFU3W 30RJ	FWFU 3W 30R 5%	PRODUCTION
4-2176793-5	FWFU3W 33RJ	FWFU 3W 33R 5%	PRODUCTION
4-2176793-6	FWFU3W 36RJ	FWFU 3W 36R 5%	PRODUCTION
4-2176793-7	FWFU3W 39RJ	FWFU 3W 39R 5%	PRODUCTION
4-2176793-8	FWFU3W 43RJ	FWFU 3W 43R 5%	PRODUCTION
4-2176793-9	FWFU3W 47RJ	FWFU 3W 47R 5%	PRODUCTION
5-2176793-0	FWFU3W 51RJ	FWFU 3W 51R 5%	PRODUCTION
5-2176793-1	FWFU3W 56RJ	FWFU 3W 56R 5%	PRODUCTION
5-2176793-2	FWFU3W 62RJ	FWFU 3W 62R 5%	PRODUCTION
5-2176793-3	FWFU3W 68RJ	FWFU 3W 68R 5%	PRODUCTION
5-2176793-4	FWFU3W 75RJ	FWFU 3W 75R 5%	PRODUCTION
5-2176793-5	FWFU3W 82RJ	FWFU 3W 82R 5%	PRODUCTION
5-2176793-6	FWFU3W 91RJ	FWFU 3W 91R 5%	PRODUCTION
5-2176793-7	FWFU3W 100RJ	FWFU 3W 100R 5%	PRODUCTION
5-2176793-8	FWFU3W 110RJ	FWFU 3W 110R 5%	PRODUCTION
5-2176793-9	FWFU3W 120RJ	FWFU 3W 120R 5%	PRODUCTION
6-2176793-0	FWFU3W 130RJ	FWFU 3W 130R 5%	PRODUCTION
6-2176793-1	FWFU3W 150RJ	FWFU 3W 150R 5%	PRODUCTION
6-2176793-2	FWFU3W 160RJ	FWFU 3W 160R 5%	PRODUCTION
6-2176793-3	FWFU3W 180RJ	FWFU 3W 180R 5%	PRODUCTION
6-2176793-4	FWFU3W 200RJ	FWFU 3W 200R 5%	PRODUCTION
6-2176793-5	FWFU3W 220RJ	FWFU 3W 220R 5%	PRODUCTION
6-2176793-6	FWFU3W 240RJ	FWFU 3W 240R 5%	PRODUCTION

THIS DRAWING IS A CONTROLLED DOCUMENT.

DIMENSIONS: mm	TOLERANCES UNLESS OTHERWISE SPECIFIED:
	0 PLC ± 1 PLC ± 2 PLC ± 3 PLC ± 4 PLC ± ANGLES ±
MATERIAL	FINISH
-	-

DWN	RAMESHA L S	24 APR 2025
CHK	TRACY G	24 APR 2025
APVD	TRACY G	24 APR 2025
PRODUCT SPEC	-	-
APPLICATION SPEC	-	-
WEIGHT	-	-



FUSIBLE WIREWOUND FIXED RESISTOR
TYPE FWFU 3W SERIES

SIZE	CAGE CODE	DRAWING NO	RESTRICTED TO
A3	00779	©=2176793	-

CUSTOMER DRAWING SCALE 5:1 SHEET 2 OF 2 REV BA